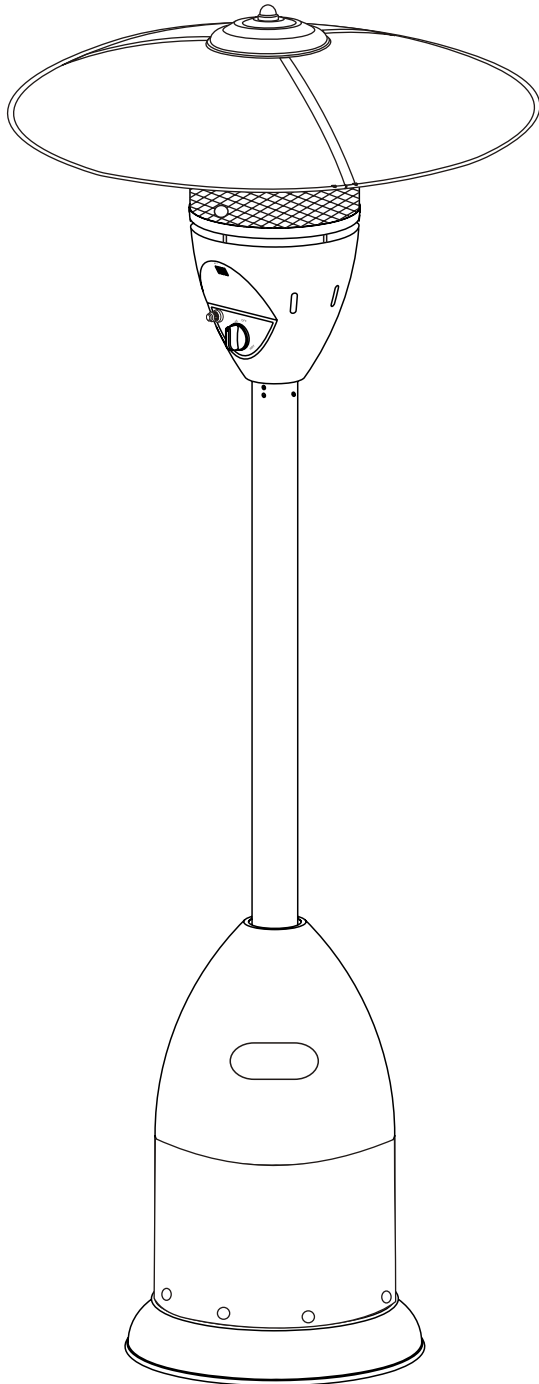




Deluxe Outdoor Patio Heater



DANGER

If you smell gas:

1. Shut off gas to the appliance.
2. Extinguish any open flame.
3. If odor continues, keep away from the appliance and immediately call your gas supplier or fire department.

WARNING

Do not store or use gasoline or other flammable vapors and liquids in the vicinity of this or any other appliance.

An LP-cylinder not connected for use shall not be stored in the vicinity of this or any other appliance.

WARNING

For Outdoor Use Only.

CAUTION:

Installer: Leave the instruction manual with the user for future use.

Consumer: Please keep this manual for future reference.



Model#: SRPH02-XXXX



Customer Item No.: PTH38PSS
PTH38PGM
PTH38PCP


Read the instructions before use.
This appliance must be installed in accordance with such regulations as are in force.

Owner's Manual

Standard: ANS Z83.26-2007 / CSA 2.37-2007 & ANS Z83.26a-2008/CSA 2.37a-2008
Gas-Fired Outdoor Infrared Patio Heaters

PRECAUTIONS

 <h3 style="margin: 0;">DANGER</h3>	<p style="text-align: center;">CARBON MONOXIDE HAZARD</p> <p>This appliance can produce carbon monoxide which has no odor.</p> <p>Using it in an enclosed space can kill you.</p> <p>Never use this appliance in an enclosed space such as a camper, tent or home.</p>
	

 <h3 style="margin: 0;">WARNING:</h3>	<p>Improper installation, adjustment, alteration, service or maintenance can cause injury, death or property damage. Read the installation, operating and maintenance instructions thoroughly before installing or servicing this equipment.</p>
--	--

SPECIFICATION

Certification	CSA
Height Overall	2.3m / 90.6"
Reflector Diameter	85cm / 33.5"
Rated Heat Input	40000 BTU/HR
Fuel	LP
Gas Supply	20Lb (9kg) LP-Gas cylinder
Manifold Pressure	11.0" W.C.
Injector Size(diameter)	1.95mm
Safety Features	Flame failure device, anti-tilt switch & pilot
Gas Supply Pressure	Max. 250PSI, Min. 5PSI

The bill of sale or copy will be required together with the serial and model numbers when making any warranty claims. Do not return parts to our address without first obtaining a return authorization number. The customer service department is available between 9am and 5pm (EST).

NAC Customer Care
 214 Bayview Drive
 Barrie, ON
 Canada, L4N 4Y8
 1-866-820-8686
 1-705-727-4282 (fax)
 wecare@napoleonproducts.com

PRECAUTIONS

NOTE: PLEASE READ THE FOLLOWING SAFETY RULES

WARNING:

The installation must conform with local codes or, in the absence of local codes, with the National Fuel Gas Code, ANSI Z223.1/NFPA 54, NFPA58 Natural Gas and Propane Installation Code, CSA B149.1, or Propane Storage and Handling Code, B149.2

The heater, when installed, must be electrically grounded in accordance with local codes or, in the absence of local codes, with the National Electrical Code, ANSI/NFPA 70, or the Canadian Electrical Code, CSA C22.1.

Prior to use, check for damaged parts such as hoses, regulators, burner.

All leak tests should be done with a soapy solution. NEVER USE AN OPEN FLAME TO CHECK FOR LEAKAGE.

The propane hose with regulator assembly shall be located out of pathways where people may trip over it or in areas where the hose will not be subject to accidental damage.

Children and adults should be alerted to the hazards of high surface temperatures and should stay away to avoid burns or clothing ignition.

Young children should be carefully supervised when they are in the area of the heater.

Clothing or other flammable materials should not be hung from the heater, or placed on or near the heater.

Any guard or other protective device removed for servicing the heater must be replaced prior to operating the heater.

Installation and repair should be done by a qualified service person. The heater should be inspected before use and at least annually by a qualified service person.

More frequent cleaning may be required as necessary. It is imperative that control compartment, burners and circulating air passageways of the heater be kept clean.

Keep the appliance area clear and free from combustible materials, gasoline and other flammable vapors and liquids.

Do not obstruct the flow of combustion and ventilation air.

Keep the ventilation opening(s) of the cylinder enclosure free and clear from debris.

This appliance shall be used only in a well-ventilated space and shall not be used in a building, garage or any other enclosed area.

An appliance may be installed with shelter no more inclusive than:

With walls on all sides, but with no overhead cover.

Within a partial enclosure which includes an overhead cover and no more than two side walls. These side walls may be parallel, as in a breezeway, or at right angles to each other.

PRECAUTIONS

NOTE: PLEASE READ THE FOLLOWING SAFETY RULES

WARNING:

Within a partial enclosure which includes an overhead cover and three side walls, as long as 30 percent or more of the horizontal periphery of the enclosure is permanently open.

This appliance requires 9kg(20lb) LP-gas supply cylinder.

The LP-gas supply cylinder to be used must be: Constructed and marked in accordance with the Specifications for LP-gas cylinders of the U.S. Department of Transportation (DOT); or the Standard for Cylinders, Spheres and Tubes for Transportation of Dangerous Goods and Commission, CAN/CSA-B339, as applicable;

Provided with a listed overfilling prevention device; and provided with a cylinder connection device compatible with the connection for the appliance.

The cylinder is to be disconnected when the appliance is not in use.

Storage of an appliance indoors is permissible only if the cylinder is disconnected and removed from the appliance.

A cylinder must be stored outdoors in a well-ventilated area out of the reach of children. A disconnected cylinder must have dust caps tightly installed and must not be stored in a building, garage or any other enclosed area.

The pressure regulator and hose assembly supplied with the appliance must be used, replacement pressure regulators and hose assemblies must be those specified by the appliance manufacturer.

The hose assembly must be replaced prior to the appliance being put into operation if there is evidence of excessive abrasion or wear, or if the hose is damaged.

Do not store a spare LP-gas cylinder under or near this appliance;

Never fill the cylinder beyond 80 percent full;

Do not clean the heater with cleaners that are combustible or corrosive.

Place the dust cap on the cylinder valve outlet whenever the cylinder is not in use. Only install the type of dust cap on the cylinder valve that is provided with the cylinder valve. Other types of caps or plugs may result in leakage of propane.

WARNINGS AND CAUTIONS

NOTE: PLEASE READ THE FOLLOWING SAFETY RULES:

Perform a leak test with a soapy solution:

1. To check gas connections.
2. After connecting a new cylinder.
3. Upon re-assembly after disassembly.

This heater is designed to operate with a standard 20 lb propane cylinder with Approved Cylinder Connection.

PREPARATION

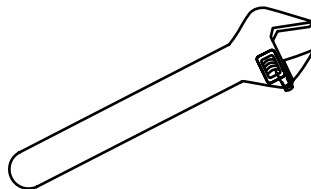
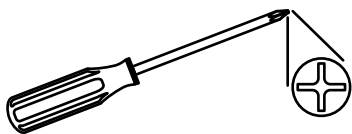
Before beginning assembly of product, make sure all parts are present. If any part is missing or damaged, do not attempt to assemble the product. Contact customer service for replacement parts.

TOOLS NEEDED: (NOT INCLUDED)

Adjustable opening wrench

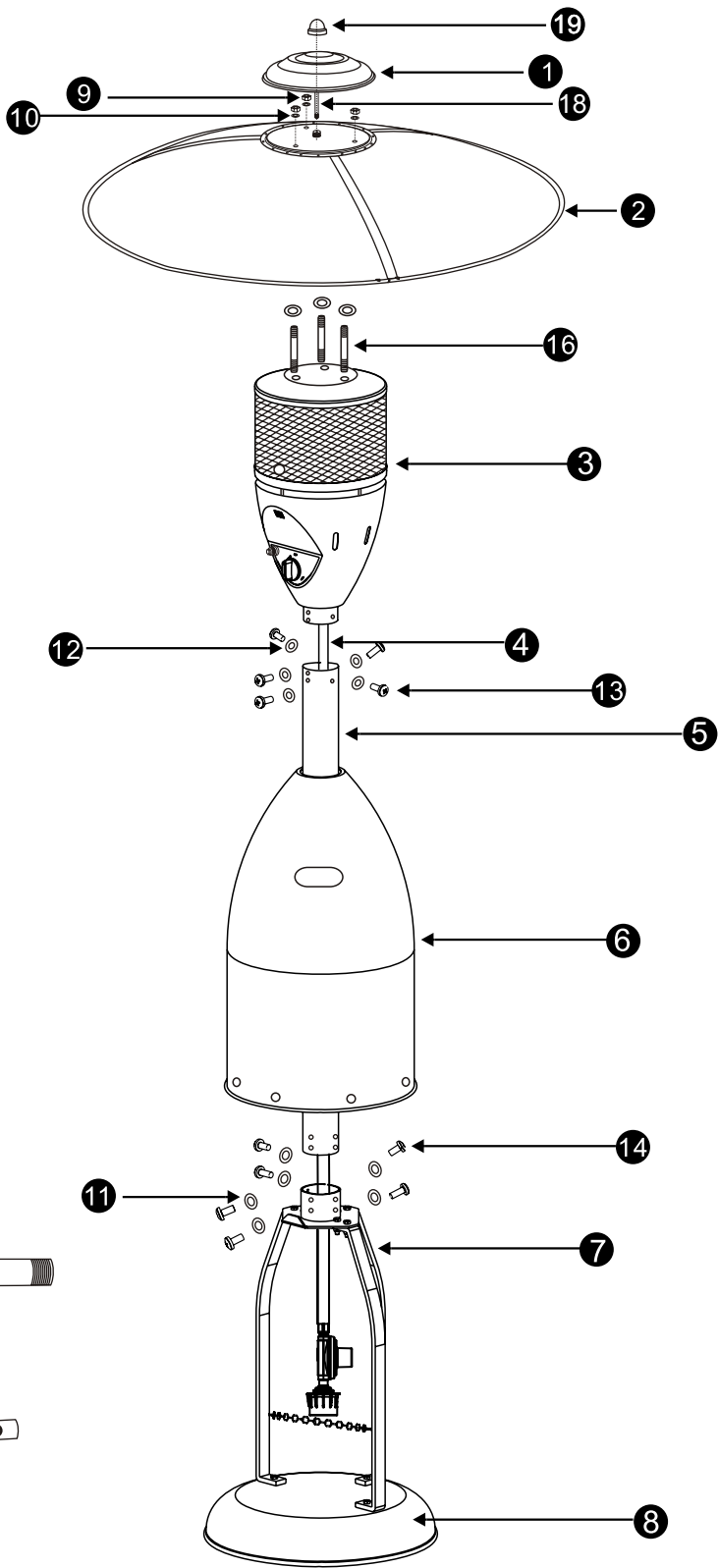
Philips screwdriver

Estimated time for assembly: 30 minutes.

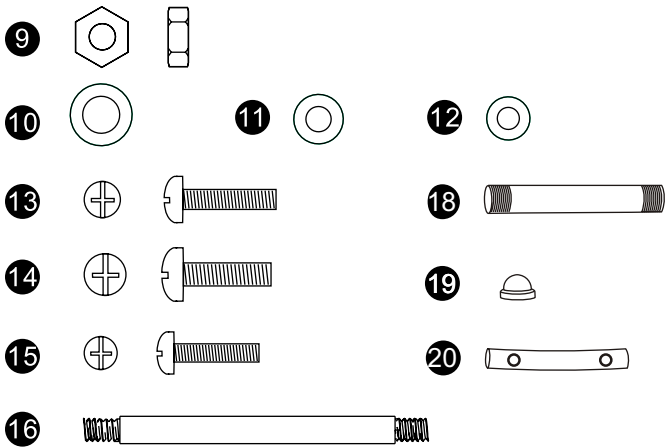


PARTS LIST / EXPLODED VIEW

- ① 1 Decorative Cap
- ② 3 Reflector
- ③ 1 Burner Head Assembly
- ④ 1 Hose & Regulator
- ⑤ 1 Pole
- ⑥ 1 Cylinder Cover
- ⑦ 3 Pole Support
- ⑧ 1 Cylinder Base
- ⑨ 3 M6 Nuts
- ⑩ 6 6mm Washers
- ⑪ 6 5mm Washers
- ⑫ 5 4mm Washers
- ⑬ 5 M4x8 Bolts
- ⑭ 6 M5x8 Bolts
- ⑮ 6 M3x6 Bolts
- ⑯ 3 M6 x70 Double Pointed Bolts
- ⑰ 1 Cylinder (Not Supplied)
- ⑱ 1 M6 x 38 Double Pointed Bolt
- ⑲ 1 M6 Decorative Nut
- ⑳ 3 Reflector Connectors



Hardware Contents



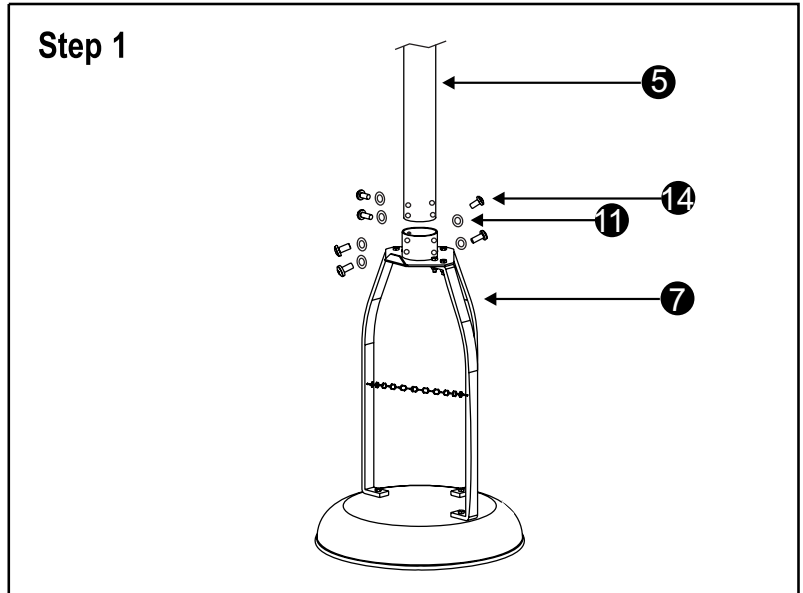
"AAA" Battery 1

WARNING:



Read ALL assembly instructions thoroughly and carefully to insure proper, safe assembly.

Step 1

Attach the pole (5) to the pole support (7) using six M5 X 8 bolts (14) and six 5mm washers (11).

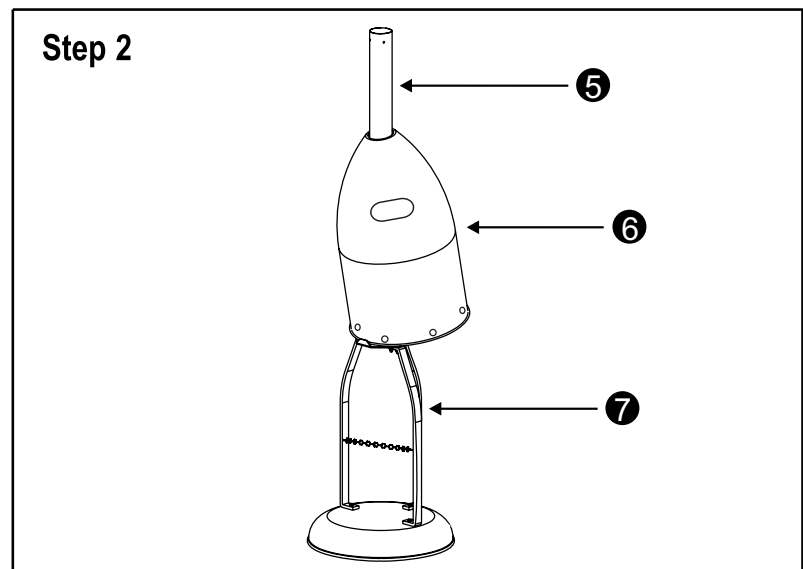


Hardware Used

11	5mm washer		X 6
14	M5 X 8 bolt		X 6

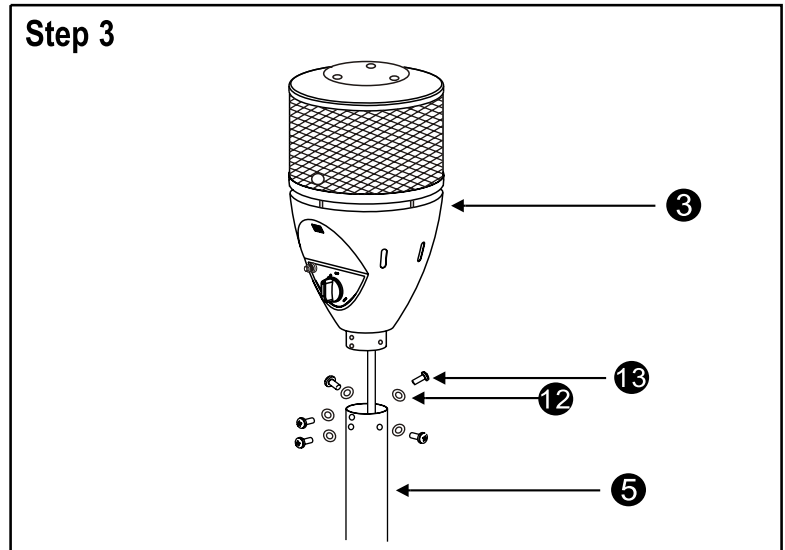
Step 2

Attach the cylinder cover (6) to the pole support (7) by sliding it over the post (5).





Step 3

Attach the burner head assembly (3) to the pole (5) by using five M4 X 8 bolts (13) and five 4mm washers (12).

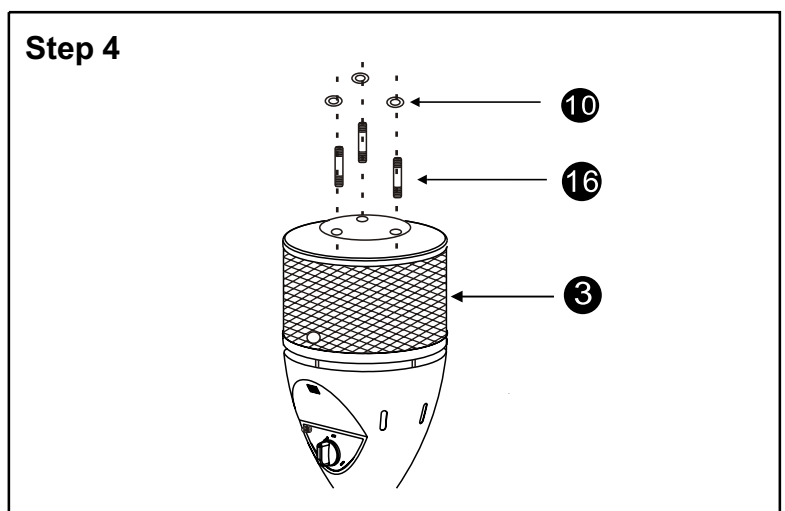


Hardware Used

12	4mm washer		X 5
13	M4 X 8 bolt		X 5

Step 4

Attach three M6 X 70 double pointed bolts (16) and three 6mm washers (10) to the top of the burner head assembly (3). Tighten the bolts.

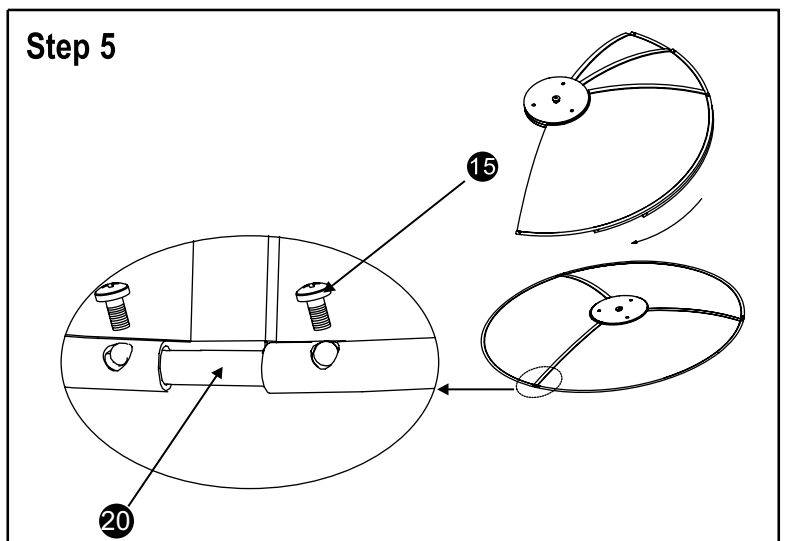


Hardware Used


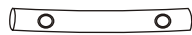
10	6mm washer		X 3
16	M6 X 70 double pointed bolt		X 3

Step 5

Remove the plastic coating from the three reflector pieces. Join the reflector using the supplied connectors (20). Fasten the connectors in place using two M3 x 6 bolts (15).

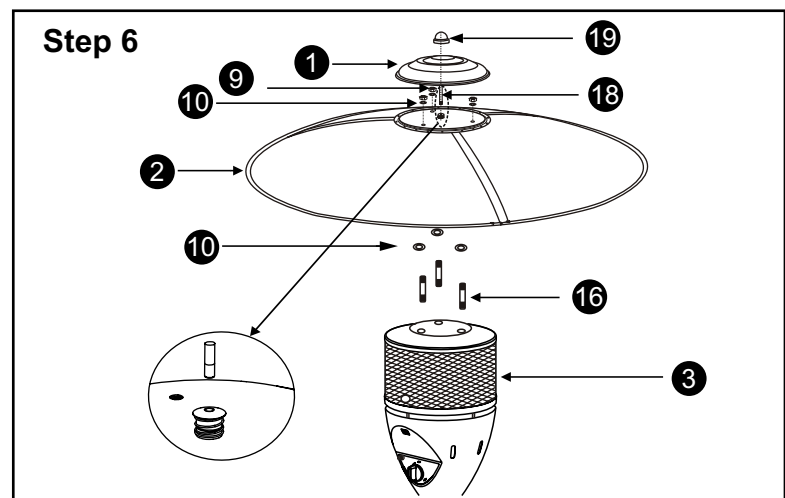


Hardware Used


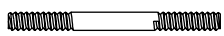
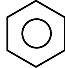


- | | | | |
|----|---------------------|---|-----|
| 15 | M3x6 bolt |  | X 6 |
| 20 | reflector connector |  | X 3 |

Step 6

Place the reflector assembly (2) onto the top of the burner head assembly (3), tighten them as illustrated using three M6x70 double pointed bolts (16), six 6mm washers (10) and three M6 nuts (9). Attach center decoration cap (1) and M6 decorative nut by M6x38 bolt(18).



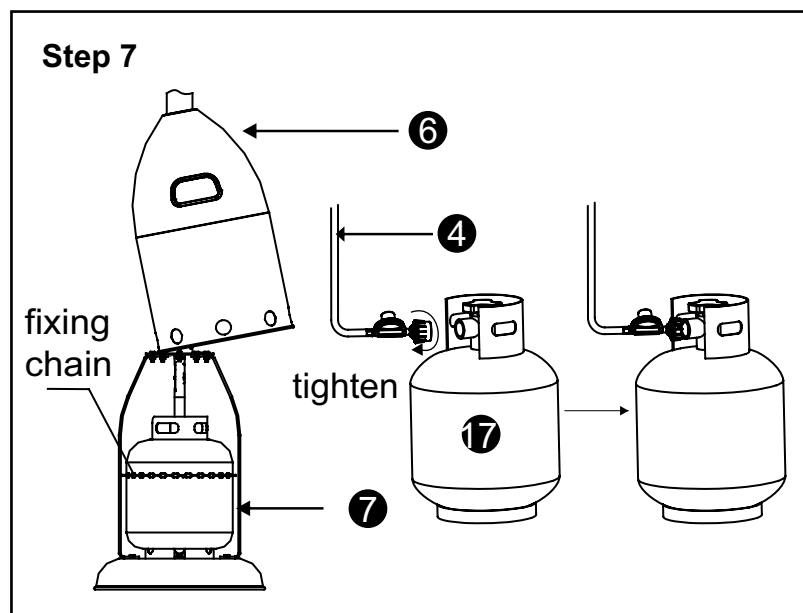
Hardware Used

- | | | | |
|----|-----------------------------|---|-----|
| 19 | M6 decorative nut |  | X 1 |
| 18 | M6 X 38 double pointed bolt |  | X 1 |
| 9 | M6 nut |  | X 3 |
| 10 | 6mm washer |  | X 6 |
| 16 | M6 X 70 double pointed bolt |  | X 3 |

Step 7

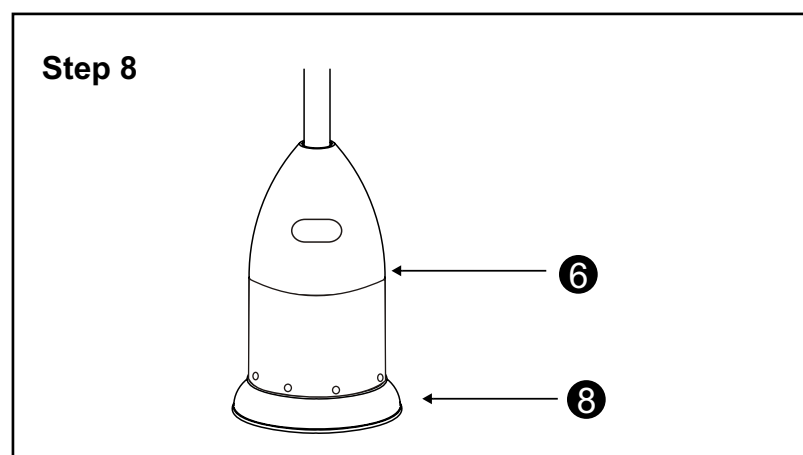
Place the gas cylinder (not included) into the pole support (7) and fasten in place with supplied fixing chain. Then attach the regulator to the cylinder. Turn clockwise to tighten it securely. Then place the cylinder cover (6) back into the position.

Note: Make sure to check for leaks after replacing cylinder (refer to the section "check for leaks" on page 11).



Step 8

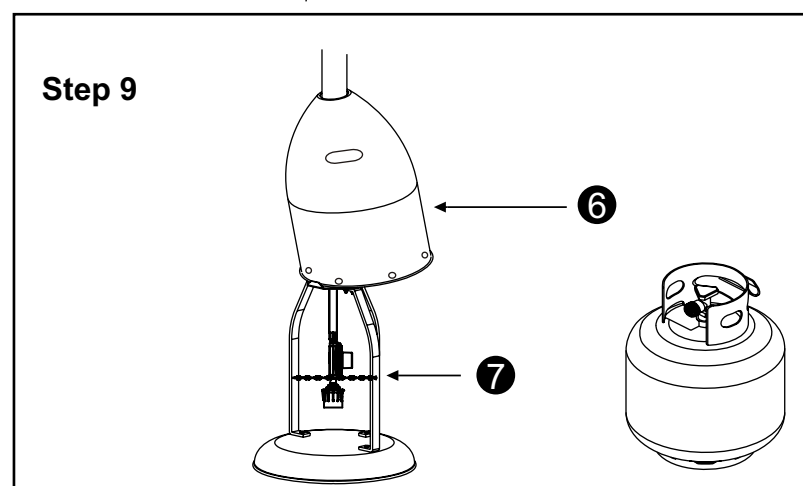
Lower the cylinder cover onto the cylinder base.



Step 9

Disconnect cylinder when storing or transporting.

- 1) Turn off the heater
- 2) Raise the cylinder cover onto the post mounts.
- 3) Turn off the cylinder valve.
- 4) Disconnect the regulator from the cylinder.



SAFETY CHECK

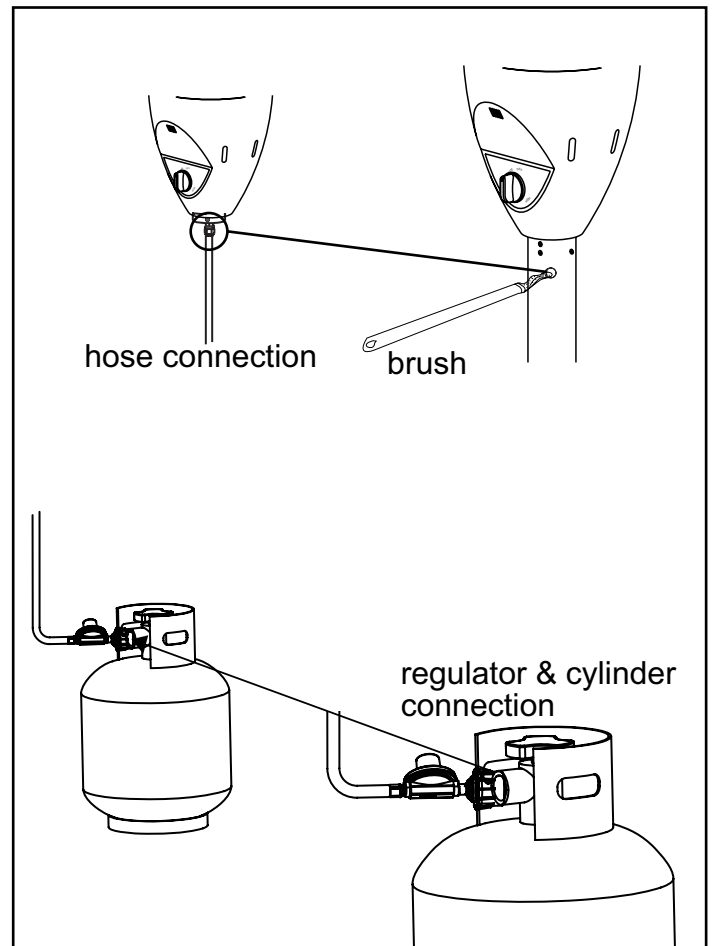
Check for leaks

Your patio heater has been checked at all factory connections for leakage. To check the connection at the gas hose/regulator /cylinder.

- 1) Make leakage solution by mixing 1part liquid dish soap and 3 parts water.
- 2) Spoon or brush several drops (or use squirt bottle) of the solution onto hose connection, regulator & cylinder connection.
- 3) Turn on gas cylinder valve. Inspect the connections and look for bubbles.
- 4) If no bubbles appear, the connection is safe.
- 5) If bubbles appear,there is a leak. Loosen and re-tighten this connection. If there is still a leak,please call customer service:
1-866-820-8686.

Note:

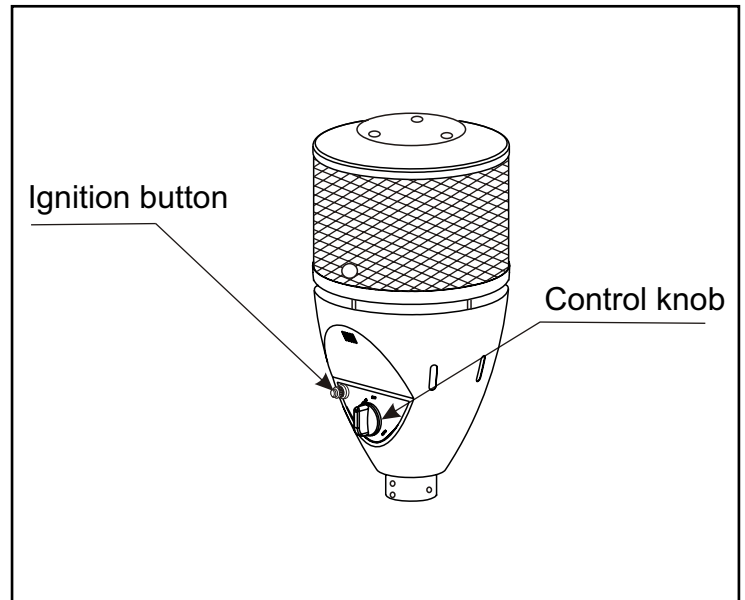
- 1) The cylinder supply system must be arranged for vapor withdrawal;
- 2) The cylinder used must include a collar to protect the cylinder valve.



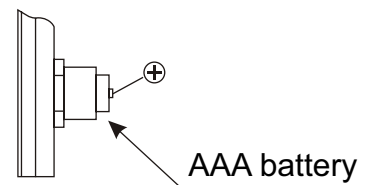
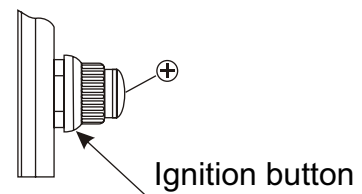
IGNITER BATTERY INSTALLATION

Instruction For Installing Battery

Remove igniter button by turning counter-clockwise. Install "AAA" battery with positive terminal up as indicated in diagram. Replace igniter button.



Replace Battery



WARNING: DO NOT ATTEMPT TO OPERATE HEATER UNTIL YOU HAVE READ AND UNDERSTAND ALL PRECAUTIONS . FAILURE TO DO SO CAN RESULT IN SERIOUS PERSONAL INJURY, DEATH, OR PROPERTY DAMAGE.

Before turning gas supply ON

Your heater was designed and approved for **OUTDOOR USE ONLY**. DO NOT use it inside a building or any other enclosed area.

Make sure surrounding areas are free of combustible materials, gasoline, and other flammable vapors or liquids.

Ensure that there is no obstruction to air ventilation.

Be sure all gas connections are tight and there are no leaks.

Be sure the access panel is clear of debris.

Be sure any component removed during assembly or servicing is replaced and fastened prior to starting.

Before Lighting

Heater should be thoroughly inspected before each use, and by a qualified service person at least annually.

If relighting a hot heater, always wait at least 5 minutes.

This heater is tested for quality assurance. Ignition attempts should succeed 8 out of 10 attempts.

Lighting instructions

- 1) Push and turn the control knob to “OFF” position.
- 2) Turn LP cylinder gas valve to fully open position.

WARNING

FOR YOUR SAFETY:

If at any time you are unable to light burner and smell gas, wait 5 minutes to allow gas to dissipate before attempting to light heater. If after 1 minute, you are unable to light burner, wait 5 minutes and allow flammable vapors to dissipate before attempting to light heater.

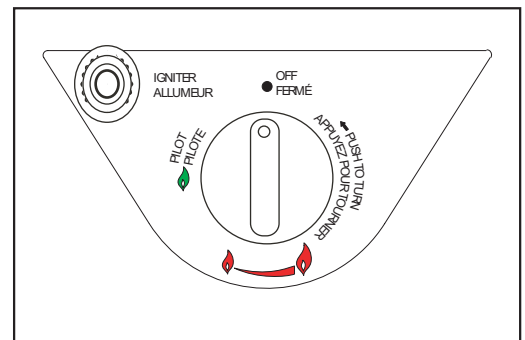
WARNING

FOR YOUR SAFETY:

DO NOT touch or move heater for at least 45 minutes after use. Allow emitter and dome to cool before touching.

WARNING

Lighting operations should comply with Lighting Instruction section. Improper lighting operations will cause serious injury and explosion.



- 3) Push and turn the control knob counter-clockwise to the "PILOT" position. Depress the control knob. Push and hold the igniter button until the pilot lights.
- 4) Once the pilot is lit, release the igniter button and continue to depress the control knob for 30 seconds.
- 5) After depressing the control knob for 30 seconds, release the control knob and turn it counter-clockwise to the "LOW" or "HIGH" position.

Note: If the pilot light will not ignite, turn the control knob to the off position, and fully close the propane tank valve. Wait 5 minutes and then repeat steps 2-4.

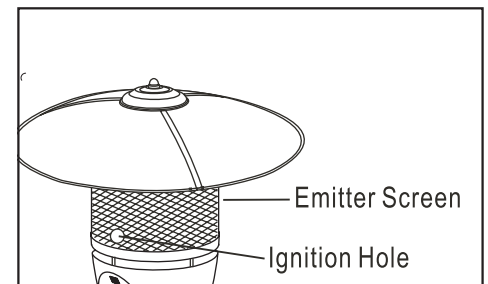
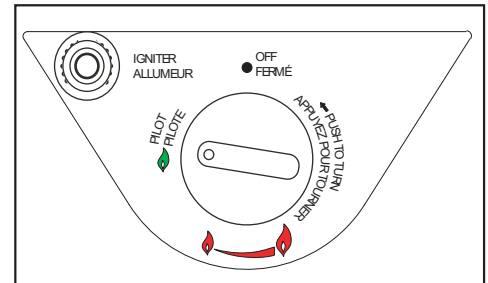
Alternately, the pilot can be lit using a wand lighter. Push and turn the control knob to the pilot position. Depress the control knob. Insert the lit lighter through the ignition hole on the emitter screen. Once the pilot lights, remove the lighter and continue to depress the control knob for 30 seconds.

Whenever the unit is disconnected from the gas supply, the supply lines fill with air. Expect a delay in lighting the pilot, if the unit is lit for the first time after reconnecting.

Flame Characteristic

The flame pattern at the emitter screen should be visually checked whenever heater is operated. Normally the burner flame is blue, but little yellow flame is acceptable.

If the flames extend beyond the surface of the emitter grid, or the flame is lifting off the burner or flashing back, or there is black carbon deposits accumulating on the emitter grid or reflector, the heater should be turned off immediately. The heater should not be operated again until the unit is serviced and or repaired.



OPERATION

CAUTION : AVOID INHALING FUMES EMITTED FROM THE HEATER'S FIRST USE. SMOKE AND ODOR FROM THE BURNING OF OILS USED IN MANUFACTURING WILL APPEAR. BOTH SMOKE AND ODOR WILL DISSIPATE AFTER APPROXIMATELY 30 MINUTES. THE HEATER SHOULD NOT PRODUCE THICK BLACK SMOKE.

NOTE:

The burner may be noisy when initially turned on. To eliminate excessive noise from the burner, turn the Control Knob to the "LOW" position. Then, turn the knob to the level of heater desired.

When heater is ON:

Emitter screen will become bright red due to intense heat. The color is more visible at night. Burner will display tongues of blue flame. These flames should not be yellow or produce thick black smoke, indicating an obstruction of airflow through the burners.

Operation pressure checked:

If the flame is very small, this is because the supply pressure is not enough. Please refill gas cylinder.

Re-light:

- 1) Turn the control knob to "OFF" position.
- 2) Wait five (5) minutes before attempting to relight pilot.
- 3) Repeat steps beginning with step 2 of the lighting instruction above.

Shut down instructions:

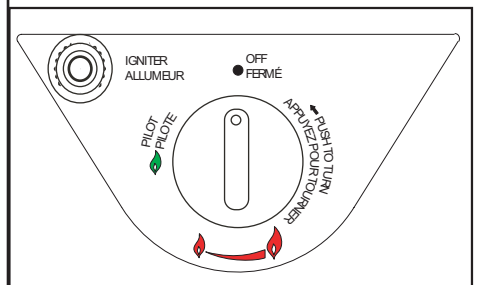
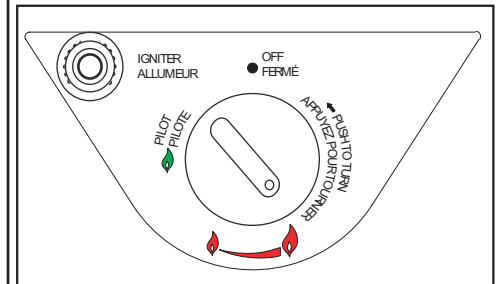
- 1) Push in and turn control knob clockwise to "OFF" position.
- 2) Turn LP cylinder gas valve clockwise to "OFF" position when heater is not in use.

Note: After use, some discoloration of the emitter screen is normal.

The Event of Gas Leakage:

- 1) Turn the control knob to "OFF" position.
- 2) Turn LP cylinder valve to "OFF" position.
- 3) Wait 5 minutes to allow gas to dissipate.
- 4) If odor continues, immediately call gas supplier.

WARNING : Heater will be hot after use.
Handle with extreme care.



LOCATING HEADER FOR USE

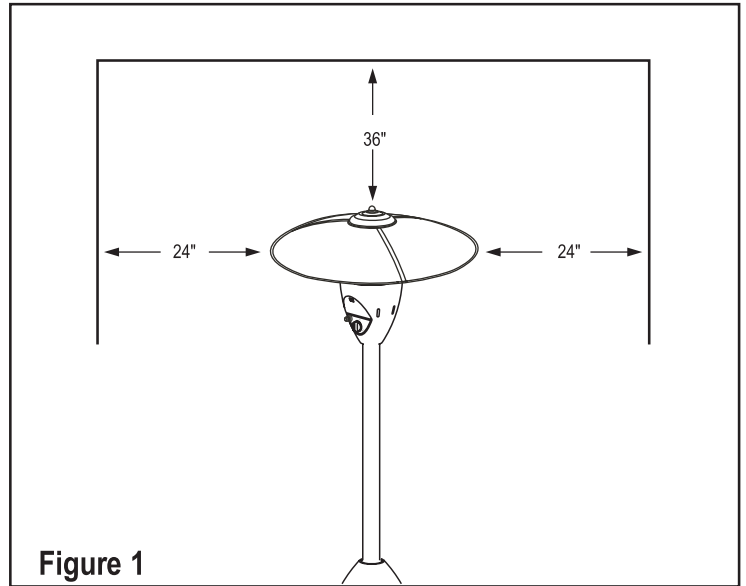
CAUTION: WHEN CERTAIN MATERIALS OR ITEMS ARE LEFT, ABOVE, BESIDE OR UNDER THIS HEATER WHILE IN USE, THEY WILL BE SUBJECT TO RADIANT HEAT AND COULD BE SERIOUSLY DAMAGED.

This heater is primarily used for the heating of outdoor patios, decks, spas, pools and open working areas.

Always make sure that adequate fresh air ventilation is provided. Follow the spacing tolerances shown in Figure 1 at all times.

This heater must be placed on level, firm ground.

Never operate in an explosive atmosphere. Keep away from areas where gasoline or other flammable liquids or vapors are stored or used.

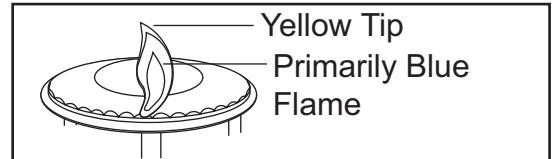
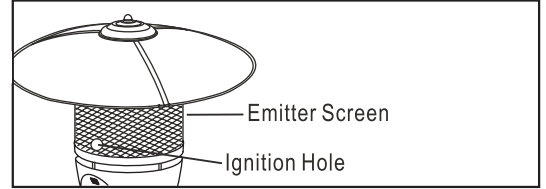


MAINTENANCE/STORAGE

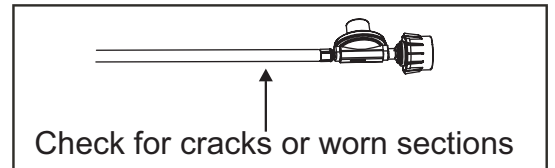
CLEANING AND MAINTENANCE :

To enjoy years of outstanding performance from your heater make sure you perform the following maintenance activities on a regular basis:

- Keep exterior surfaces clean.
- Use warm soapy water for cleaning. Never use flammable or corrosive cleaning agents.
- While washing your unit, be sure to keep the area around the burner and pilot assembly dry at all times. If the gas control is exposed to water in any way, do NOT try to use it. It must be replaced.
- Keep the appliance area free and clean from combustible materials, gasoline and other flammable vapors and liquids; not obstructing the flow of combustion and ventilation air; keeping the ventilation opening(s) of the cylinder enclosure free and clear from debris.
- Visually check burner flames.
- Screw down the screws on pole, take out the burner head assembly.
- Check if there are cracks or worn sections on hose. If yes, please call our customer service to replace hose.
- **At least once a year, the unit should be inspected** for the presence of spiders, spider webs or other insects.
- Air flow must be unobstructed. Keep controls, burner, and circulating air passageways clean. Signs of possible blockage include:
 - Gas odor with extreme yellow tipping of flame.
 - Heater does NOT reach the desired temperature.
 - Heater glow is excessively uneven.
 - Heater makes popping noises.



WARNING:
FOR YOUR SAFETY ;
DO NOT touch or move heater for at least 45 minutes after use. Allow all burner elements to cool before touching.



NOTE:
In a salt-air environment (such as near an ocean). corrosion occurs more quickly than normal. Frequently check for corroded areas and repair them promptly.

NOTE:
Wait until heater is cool before covering.

MAINTENANCE/STORAGE

- Spiders and insects can nest in the burner or orifices. This dangerous condition can damage heater and render it unsafe for use. Clean burner holes by using a heavy-duty pipe cleaner. Compressed air may help clear away smaller particles.
- Carbon deposits may create a fire hazard. Clean dome and engine with warm soapy water if any carbon deposits develop.

STORAGE:

Between uses:

- Turn the control knob to "OFF" position.
- Turn LP cylinder to "OFF" position.
- Store heater upright in an area sheltered from direct contact with inclement weather (such as rain, sleet, hail, snow, dust and debris).
- If desired, cover heater to protect exterior surfaces and to help prevent build up in air passages.

During periods of extended inactivity or when transporting;

- Turn the control knob to "OFF" position.
- Disconnect the regulator from the LP Cylinder by turning counter-clockwise and move to a secure, well-ventilated location outdoors. DO NOT store in a location that will exceed 125 degrees F.
- Store heater upright in an area sheltered from direct contact with inclement weather (such as rain, sleet, hail, snow, dust and debris).
- If desired, cover heater to protect exterior surfaces and to help prevent build up in air passages.

NOTE:

Wait until heater is cool before covering.

TROUBLESHOOTING

PROBLEM	PROBABLE CAUSE	SOLUTION
Pilot will not light	Gas valve may be OFF	Turn the gas valve ON
	Tank fuel empty	Refill LP gas tank
	Air in supply system	Purge air from lines
	Loose connection	Check all fittings
Pilot will not stay on	Debris around pilot	Clean dirty area
	Loose connection	Tighten connection
	Thermocouple	Contact customer service
	Gas leak in line	Check connections
	Lack of fuel pressure	Fuel tank is near empty
Burner will not light	Pressure is low	Fuel tank is near empty
	Control valve not ON	Turn valve to ON
	Thermocouple broken	Contact customer service
	Pilot light assembly bent or not in correct location	Contact customer service

LIMITED PRODUCT WARRANTY

This product has a six month limited warranty, which covers workmanship and material quality. NAC warrants to the original purchaser only, that when this product is subject to normal residential use, it is free from defects in workmanship and materials for a period of six months from the original date of purchase. This warranty does not cover damage caused by use in commercial or rental applications, misuse, lack of maintenance, hostile environments, improper fuel/gas supply, wind/weather damage, damage or repairs related to spider or insect nesting, accidents or alterations. This warranty is non-transferable and may not be extended what so ever by any of our representatives. The limited warranty further does not cover any scratches, dents, corrosion or discoloring due to heat or damage from abrasive or chemical cleaners. NAC is not liable for any transportation costs, labor costs, or export duties relating to the delivery or installation of replacement parts.

NAC reserves the right to have its representative inspect any product or part prior to honouring any warranty claim. Warranty is limited to providing a replacement part or a repair part, at our option, during the warranty period. Any work or repair of this product must be performed by qualified service personnel. The warranty period is not extended by the repair or replacement. NAC is not responsible for the installation, labor or any other expenses associated with the re-installation of a warranted part.

The bill of sale or copy will be required together with the serial and model numbers when making any warranty claims. Do not return parts to our address without first obtaining a return authorization number. The customer service department is available between 9am and 5pm (EST).

NAC Customer Care

214 Bayview Drive

Barrie, ON

Canada, L4N 4Y8

1-866-820-8686

1-705-727-4282 (fax)

wecare@napoleonproducts.com (email)

This warranty may give you specific legal rights that vary by state or province.