

Installation Instructions

Listed Certified for USA. and Canada
Certified to: ANSI Z21.50a-1992, Can1-2.19-M81, CGA, CAN/CGA 2.17-1991

Model Number ZV6500
Stock #'s: ZV6500N, ZV6500LP



“Zero Clearance” Vented Gas Fireplace

**Read this complete manual before beginning installation.
These instructions must be kept with the unit for future reference.**

FOR YOUR SAFETY

Do not store or use gasoline or other flammable vapors and liquids in the vicinity of this or any other appliance.

What To Do If You Smell Gas

Do not try to light any appliance.
Extinguish any open flame.
Do not touch any electrical switch.
Do not use any phone in your building.
Immediately call your gas supplier from a neighbour's phone.
If you can not reach your gas supplier, call the fire department.



A Division of R-Co. Inc.
2340 Logan Avenue
Winnipeg, Manitoba, Canada R2R 2V3
Ph: (204) 632-1962

Warning: Improper installation, alteration, service or maintenance can cause property damage, personal injury or loss of life. Refer to this manual. Installation and service must be performed by a qualified installer, service agency or the gas supplier.

Why does my fireplace or stove give off odour?

It is normal for your fireplace to give off some odour. This is due to the curing of the paint, adhesives, silicones and any undetected oil from the manufacturing process as well as the finishing materials used with the installations (e.g. marble, tile and the adhesives used to adhere this product to the walls can react with heat and cause odours).

It is recommended that you burn your gas fireplace or stove for a minimum of four hours at a time with the fan off after the curing of the paint has been completed. These odours can last upward to 40 hours of burn time, keep burning at a minimum of four hours per use until odours dissipate.

About curing of the paint

Your stove or fireplace has been painted with the highest quality silicone stove paint. This paint dries quickly in 15-20 minutes when first applied at the factory. However, due to the high temperature silicone components, the paint will cure when heat is applied to the appliance as it is first used. The following information **applies to the curing process** to get the paint fully hard and durable.

Fire the appliance four successive times for 10 minutes each firing and a 5 minute cool down between each. Be aware during log and firebox paint curing that a white deposit may be developing on the inside of the glass doors. It is important to remove this white deposit from the glass doors with an appropriate cleaner to prevent build-up (such as Windex or a commercial fireplace glass cleaner).

- Babies, small children, pregnant women and pets should leave the area during the cure phase.
- Ventilate well, open doors and windows.
- Do not touch during curing.

Noise coming from the fireplace?

- Noise caused by metal expanding and contracting as it heats up and cools down, similar to the sound produced by a furnace or heating duct. This noise does not affect the operation or longevity of your fireplace.

Table of Contents

Installation and operation	4
Locating your appliance	5
Framing your gas fireplace	5,6
Gas line installation	6
Operating and maintenance instructions	7
General glass information	7
Log assembly	8
Fan kit installation	8
Millivolt system, lighting, & burner control	9
Venting Instruction	10
Repair parts list	11
Valve System Parts	11
Kingsman Fireplace part numbers & specifications Options	11
Kingsman Fireplace accessories	11
Kingsman Fireplace options	11
Trouble shooting the gas control system	12
Kingsman Industries Gas Fireplace – Limited Warranty ...	13

Installation and Operation

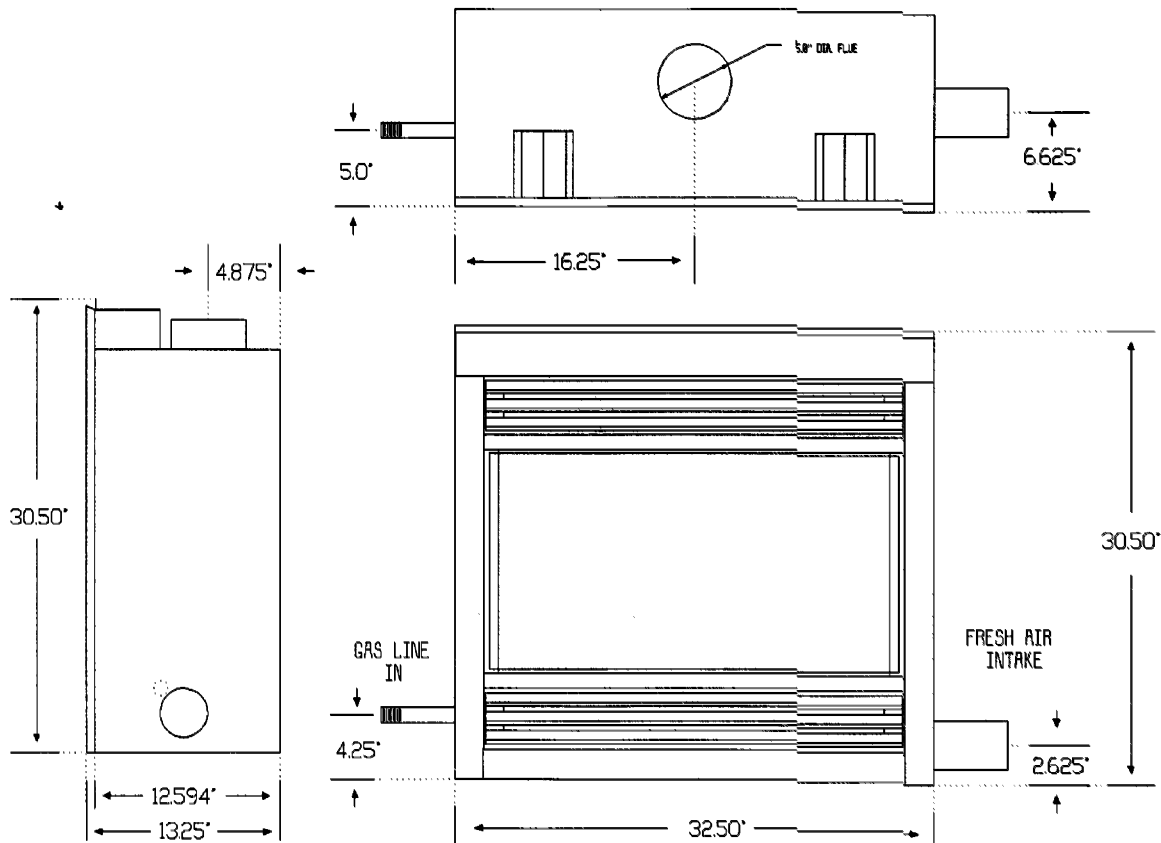
Installation Regulations

This gas appliance must be installed by a qualified installer in accordance with local building codes, or in the absence of local codes, with the current CAN/CGA-B149.1 or .2 Installation Code (in Canada) or the current National Fuel Gas Code Z223.1 when installed in the United States.

This appliance, when installed, must be electrically connected and grounded in accordance with local codes, or in the absence of local codes, with the current CSA C22.1 Canadian Electrical Code or with the national Electrical Code; ANSI/NFPA 70-1987 when installed in the United States.

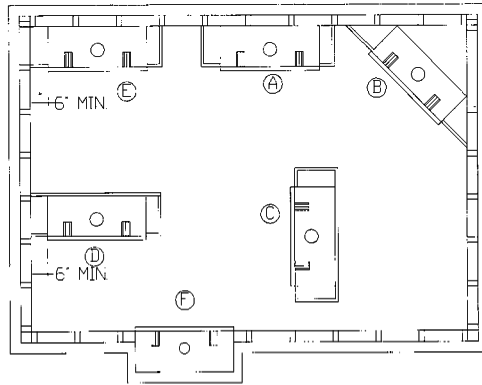
FOR SAFE INSTALLATION AND OPERATION OF YOUR GAS FIREPLACE PLEASE NOTE THE FOLLOWING:

1. This appliance gives off high temperatures and should be located out of heavy traffic areas and away from furniture and draperies.
2. Children and adults should be alerted to the hazards of the high surface temperatures of this appliance and should stay away to avoid burns or ignition of clothing.
3. Children should be carefully supervised when they are in the same room as your fireplace appliance.
4. Under no circumstances should this appliance be modified. Any parts that have to be removed for servicing should be replaced prior to operating this appliance.
5. Installation and any repairs to this appliance should be done by a qualified service person. A professional service person should be called to inspect this appliance annually. Make it a practice to have all your gas appliances checked annually.
6. Control compartments, burners and air passages in this appliance should be kept clean and free of dust and lint. Make sure that the gas valve and pilot light are turned off before you attempt to clean this unit.
7. The venting system (chimney) of this appliance should be inspected at least once a year and if needed, your venting system should be cleaned.
8. Keep the area around your appliance clear of combustible materials, gasoline and other flammable vapors and liquids. This appliance should not be used as a drying rack for clothing nor should Christmas stockings or decorations be hung from it.
9. Under no circumstances should any solid fuels (wood, paper) be used in this appliance.
10. For safe operation, glass doors must be closed.
11. Do not use this heater if any part has been under water. Immediately call a qualified service technician to inspect the heater and to replace any part of the control system and any gas control which has been under water.
12. Do not operate appliance unless completely installed as per installation instructions.



Locating your Appliance

(above or below grade)
Installing with Top Vent



When you install your fireplace as in position 'B', 'D' or 'E', a minimum of 6 inches (153mm) clearance must be maintained from the perpendicular wall and the front of the appliance.

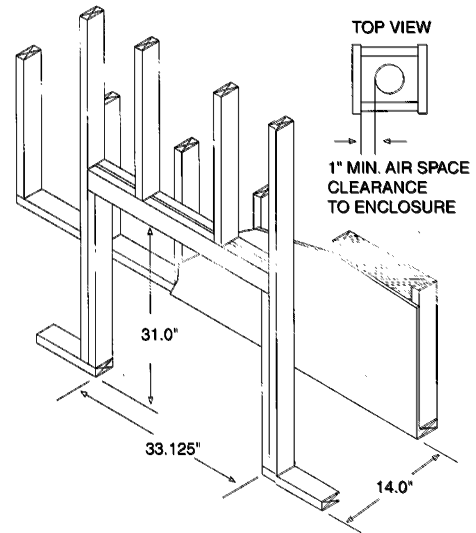
A - Flat on a wall
 B - Across the corner
 C - As an island

D - As a room divider
 E - Flat on wall corner
 F - Exterior wall

Framing for your Gas Fireplace

Framing Specifications

1. Cold climate installation recommendation: when installing this fireplace against non-insulated exterior wall or chase, it is recommended that the outer walls be insulated to conform to applicable insulation codes. Drywall should be installed over insulation to prevent contact of insulation and unit.
2. Choose fireplace location and frame in accordance with the fireplace framing dimensions specified (See Framing Diagrams). Bend nailing tabs forward on left and right of unit and place fireplace into framed enclosure. This allows for 1/2" in front of framing tabs for finishing materials.
3. Drywall or other material can extend flush with the appliance on the bottom, sides and top of fireplace.
4. Non-combustible materials such as brick and tile can be extended across the face of the fireplace. If wide brass trim kit is going to be installed, brick and tile will have to be installed flush with the front of this appliance. If slim line brass trim kit is used, brick or tile may extend past the front of unit.



Hearth

A hearth is not mandatory but is recommended for aesthetic purposes. We recommend a non-combustible hearth projecting out 12" (305mm) or more in front of the fireplace.

Clearance to Combustibles

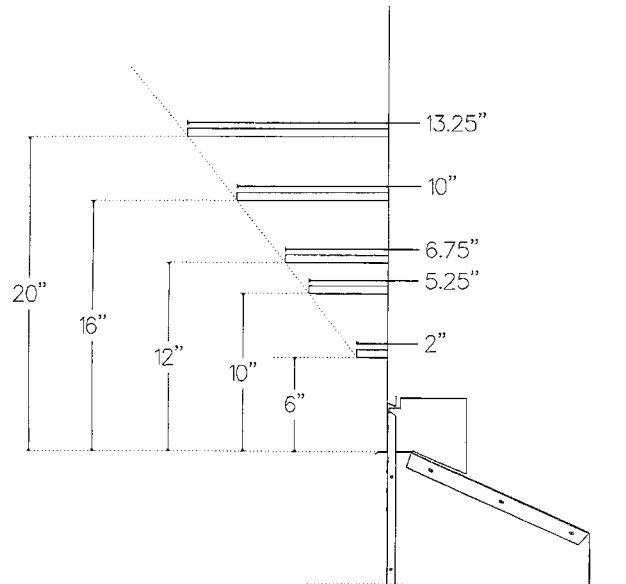
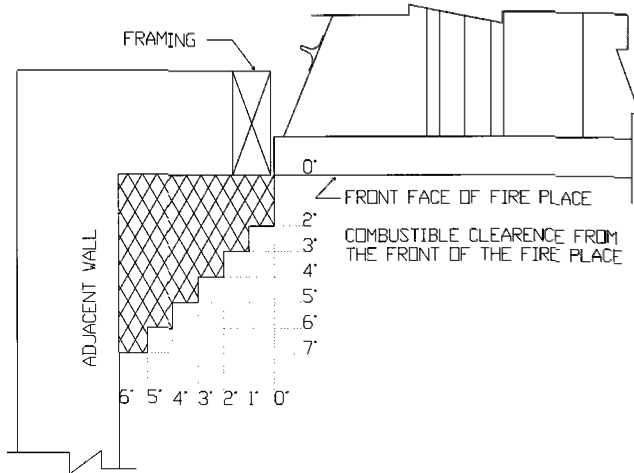
Back (from Standoffs)	0 inches/0 mm
Side (from standoffs)	0 inches/0 mm
Floor	0 inches/0 mm
Top (from standoffs)	0 inches/0 mm
Top (from front of unit)	0 inches/0 mm

Note: See Mantel Chart

Mantles

Depending on the width of the fireplace mantle, it may be installed higher or lower from the top of the fireplace opening. See drawing and chart below for proper installation height of your combustible mantel-piece. Non-combustible mantles may be installed at any height above the fireplace opening.

Note: When using paint or lacquer to finish the mantle, such paint or lacquer must be heat resistant (250°F) to prevent discoloration.



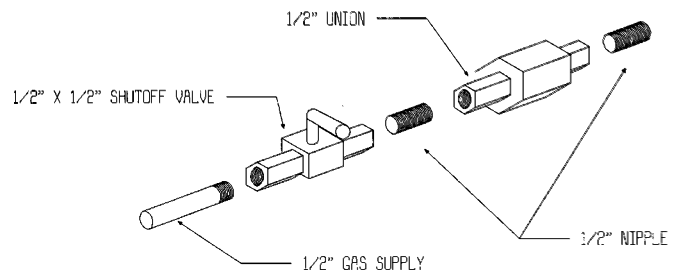
Warning: Combustible objects must not be placed on a non-combustible mantle unless the non-combustible mantle meets the minimum height and width requirements for a combustible mantle.

Gas Line Installation

This gas appliance should be installed by a qualified installer in accordance with local building codes and with current CAN/CGA - B149.1 or .2 installation codes for Gas Burning appliances and equipment in Canada and the National Fuel Gas Code ANSI Z223.1 in the U.S.A.

1. The gas pipeline can be brought in through either the right or the left side of the appliance. A knockout is provided at either location to allow for the gas pipe installation and testing of any gas connection.
2. The gas control inlet is 1/2" NPT. Typical installation layout for rigid pipe is shown at right.
3. When using **copper** or **flex connector**, use only approved fittings. Always provide a union so that gas line can be easily disconnected for burner or fan servicing. See gas specification for pressure details and ratings.
4. When a vertical section of gas pipe is required for the installation, a condensation trap is needed. See CAN/CGA-B149.1 or .2 for code details.
5. For natural gas, a minimum of 3/8" iron pipe with gas minimum pressure of 4.5 w.c. must be used for supply from the gas meter. Consult with the local gas utility if any questions arise concerning pipe sizes.
6. 1/8" NPT plugged tappings are accessible for test gauge connection both on the inlet and outlet of the gas valve.
7. Turn the gas supply ON and check for leaks. **DO NOT USE OPEN FLAME FOR THIS PURPOSE.** Use an approved leak testing solution.
8. The appliance and its individual shutoff valve must be disconnected from the gas supply piping system during any pressure testing of that system at test pressures in excess of 1/2 PSIG (3.5 KPa).
9. The appliance must be isolated from the gas supply piping system by closing its individual shutoff valve during any pressure testing of the gas supply piping system at test pressures equal to or less than 1/2 PSIG (3.5 KPa).

Note: The gas line connection may be made of 1/2" rigid pipe, 1/2" copper pipe or an approved flex connector. Since some municipalities have additional local codes, it is always best to consult your local authorities and the current CAN/CGA - B149.1 or .2 installation code in Canada or the National Fuel Gas code ANSI Z223.1 in the U.S.A.



Important: Always check for gas leaks with a soap and water solution. Do not use open flame for leak testing.

Gas Specifications

Model	Fuel	Gas Control	Maximum Input
ZV6500N	Natural	Millivolt	20000 BTU
ZV6500LP	Propane	Millivolt	20000 BTU

Gas Inlet	1/2" NPT		
	Minimum	Normal	Maximum
Gas Supply Pressure		(inches water column)	
Natural Gas	4.5	7.0	9.0
Propane Gas	10.8	11.0	12.0
Manifold Pressure	Natural Gas	3.5 inches water column	
Orifice Size	Propane Gas	10.5 inches water column	
	Natural Gas (0-4500 ft)	#46	Air shutter: closed
	Propane Gas (0-4500 ft)	#54	Air shutter: 0.137"

For the state of Massachusetts a **T-handle gas shut-off valve** must be used on a gas appliance. This T-handle gas shut-off valve must be listed and approved by the state of Massachusetts. This is in reference to the state of Massachusetts state code CMR238.

Operating and Maintenance Instructions

This gas appliance should be installed by a qualified installer in accordance with local building codes and with current CAN/CGA - B149 (.1 or .2) installation codes for Gas Burning Appliances and Equipment.

Warning: When purging the gas line, the glass front must be removed.

For safe installation and operation note the following:

This appliance gives off high temperatures and should be located out of heavy traffic areas and away from furniture and draperies.

Children and adults should be alerted to the hazards of high surface temperatures of this appliance and should stay away to avoid burns or ignition of clothing.

Under no circumstances should this appliance be modified. Parts that have to be removed for servicing should be replaced prior to operating this appliance again.

Installation and any repairs to this appliance should be done by a qualified service person. A professional service person should be called to inspect this appliance annually. Make it a practice to have all of your gas appliances checked annually.

Never use your gas fireplace as a cooking device.

The Burner/Log Assembly has been engineered and permanently adjusted for proper flame control.

Do not alter gas orifice.

Periodically remove the logs from the grate assembly and vacuum any loose particles from the grate and burner areas.

Control compartments, burners and air passages in this appliance should be kept clean and free of dust and lint. Make sure that the gas valve and pilot light are turned off before you attempt to clean this unit.

The venting system (chimney) of this appliance should be inspected at least once a year and if needed, your venting system should be cleaned.

Keep the area around your appliance clear of combustible materials, gasoline and other flammable vapors and liquids.

This appliance should not be used as drying rack for clothing, nor should Christmas stockings or decorations be hung near it.

Under no circumstances should any solid fuels (wood, paper, cardboard, coal) be used in this appliance.

Note: It is normal for your gas fireplace to give off some odor the first time it is burned. This is due to the curing of the paint and any undetected oil from the manufacturing process.

Please ensure that your room is well ventilated - open all windows.

General Glass Information

Glass Cleaning

It will be necessary to clean the glass periodically. During start-up, condensation, which is normal, forms on the inside of the glass and causes dust, lint etc. to cling to the glass surface. Also, initial paint curing can deposit a slight film on the glass. It is therefore recommended that initially the glass be cleaned two or three times with non-abrasive common household glass cleansers and warm water. After that, the glass should be cleaned two or three times a season depending on the circumstances.

Cautions and Warnings

- Do not clean when the glass is hot.
- The use of substitute glass will void all product warranties.
- Care must be taken to avoid breakage of the glass.
- Do not strike or abuse glass.

Glass Replacement

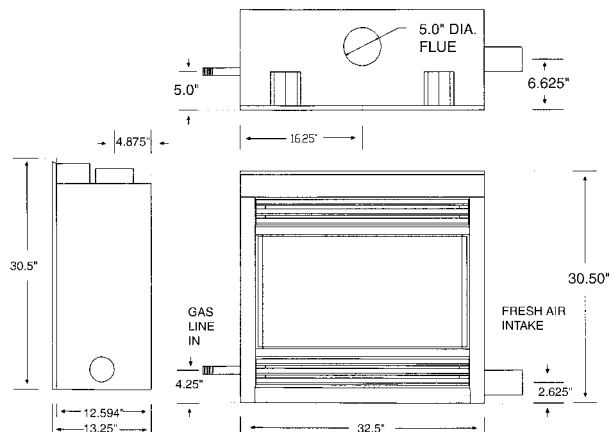
Use tempered glass Part #6500-109 or Door Kit Part #ZV65GD, ceramic glass may be substituted.

Installation of Glass Door Kit (Part #ZV65GD)

The glass door kit is a complete door assembly. To install the door the following procedures must be completed:

1. Remove the 45 degree side covers by loosening the two screws on the side of the firebox behind the screens and remove covers, then tighten the screws back into the firebox. Discard the 45 degree side covers as they are not used with the glass door. With the side covers removed the door can be inserted into the two slots on the left and right side of the unit just below the top channel of the firebox.

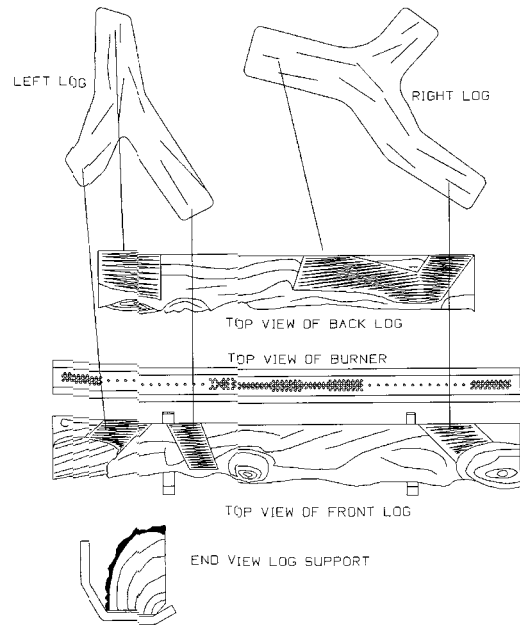
For removal of glass door kit lift upward approximately 1/2" and remove door slots.



Log Assembly

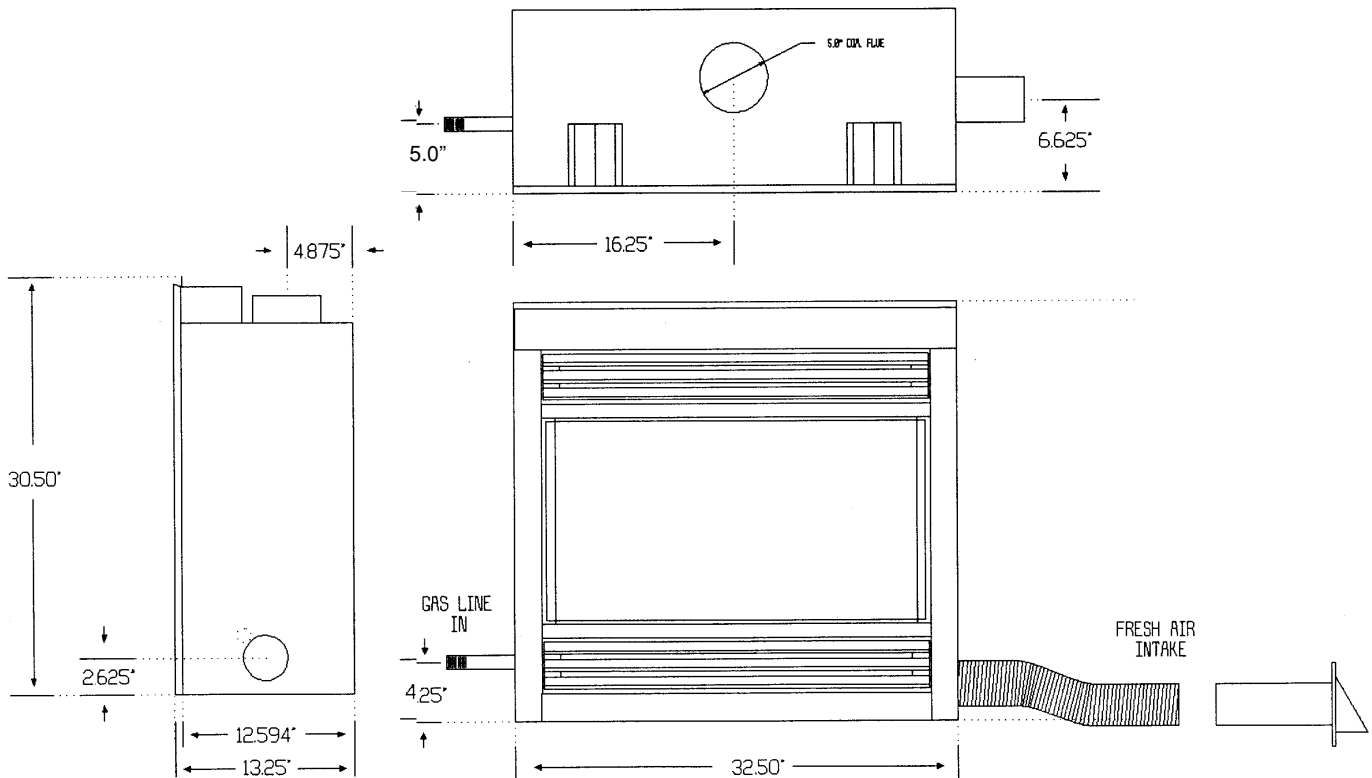
Log Assembly

1. Remove logs from carton (4) and inspect.
2. Rear log should be installed onto rear log holder attached to back of firebox above and to the rear of the burner pan.
3. Front log should be placed and centred on log supports in front of burner.
4. Spread supplied rocks on bottom pan in front and sides of front log to give ash appearance. **DO NOT PLACE ROCKS ON TOP OF BACK BURNER.**
5. Top logs can then be placed across the front and back logs in the slots provided.
6. Purge lines and test pilot operation.
7. Optional glass door may now be installed, see page 7.



Fresh Air Kit Installation

A Fresh Air Kit may be required by some building codes, remove cover plate on the bottom side of unit and insert three inch flex duct into the side of fireplace by screwing it into the hole provided, attach the other end to the plastic wall vent. When possible place the plastic vent below the bottom of the fireplace (as shown in diagram).



Millivolt System, Lighting, & Burner Control

Lighting Instructions

1. Open access grill on bottom.
2. Push in gas control knob slightly and turn clockwise to "OFF".
NOTE: Knob cannot be turned from "PILOT" to "OFF" unless knob is pushed in slightly. Do not force.
3. Wait five (5) minutes to clear out any gas remaining in burner combustion chamber.
4. Turn knob on gas control counter-clockwise to "PILOT".
5. Push in control knob all the way and hold in. Immediately light the pilot with piezo-electric ignitor while continuing to push knob in for one (1) minute. Release knob. Pilot should remain lit. If it goes out, repeat steps 2 through 5 until pilot remains lit.

– If knob does not pop up when released, stop and immediately call your service technician or gas supplier.

– If pilot will not stay lit after several tries, turn the gas control knob to "OFF" and call your service technician or gas supplier.

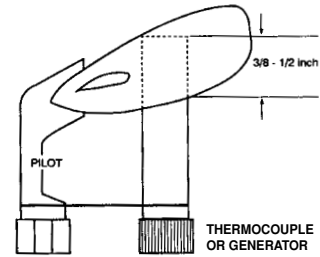
6. Turn gas control knob counter-clockwise to "ON".
7. All models are supplied with a wall switch that turns the main burner on or off. If main burner does not light immediately when you turn the gas control valve to "ON" ensure that the wall switch is in the "ON" position.

NOTE: Standard gas control valve without HI/LOW is designed to be either fully on or fully off. It should never be used to vary flame height or adjust gas flow.

9. Close control access grill.

Pilot Burner Adjustment

1. Remove pilot adjustment cap.
2. Adjust pilot screw to provide proper sized flame.
3. Replace pilot adjustment cap.
4. Leak Test.

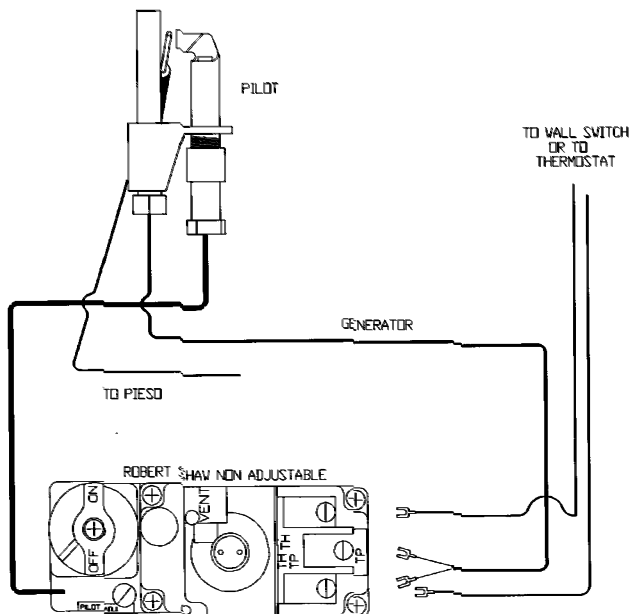
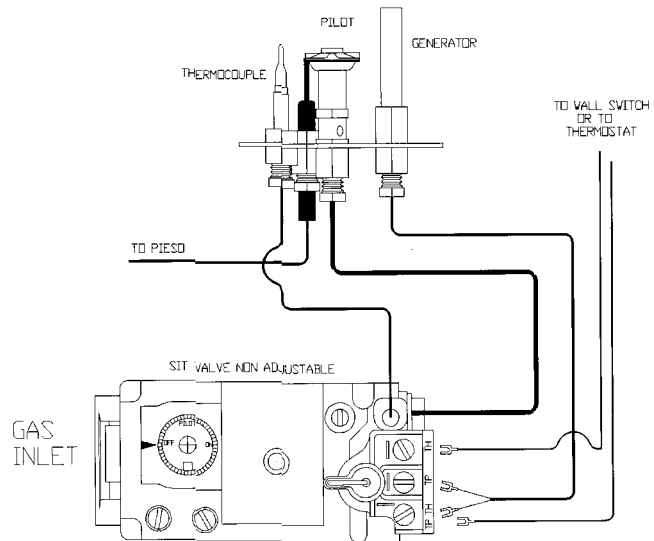


Caution: Do Not Wire 120 Volt Power To Millivolt Switches Or Thermostats.

To Turn Off Gas Appliance

Turn off all electric power to the appliance if service is to be performed. Open control access grill.

Push in gas control knob slightly and turn clockwise to "OFF". Do not force. Close control access grill.



Vent Instructions

NOTE: A chimney venting this fireplace shall not vent any other appliance.

This appliance may be vented into various types of applications "A" Vent of solid fuel wood burning chimney, Masonry Clay lining and "B" Vent liquid fuel gas chimney. (See Diagrams)

NOTE: Five (5) inch is required if existing chimney is six (6) inches or larger. Five (5) inch single wall or "B" Vent liquid fuel gas chimney may be used to adapt existing chimney or liner to fireplace.

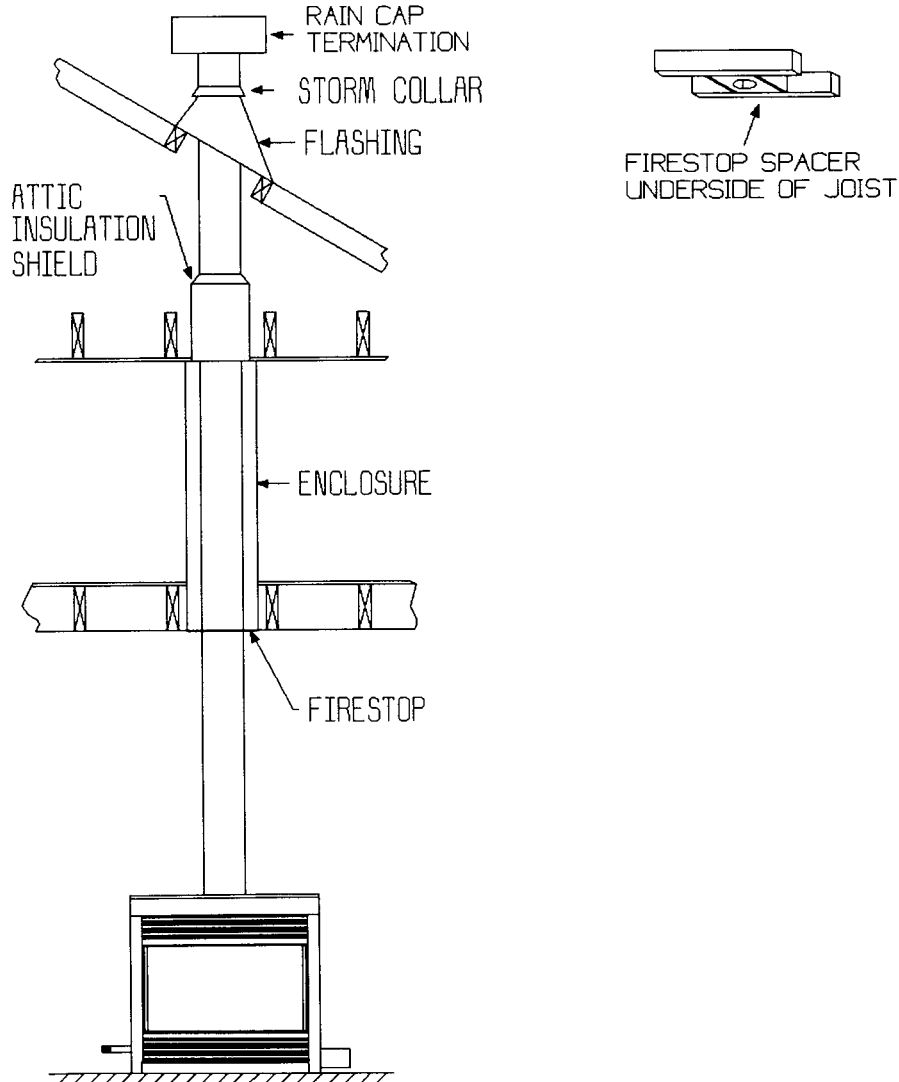
When installing with "B" Vent liquid fuel gas chimney install as per "B" Vent Manufacturer Installation specifications. Offset vertical or vertical installations may be installed.

NOTE: Installation of "B" Vent must follow "B" Vent Manufactures Installation instructions when being used.

Seal all connections in venting system.

Chimney Installations

Three types of chimney systems may be used with this unit.



A chimney venting this fireplace shall not vent any solid fuel burning appliance.

Valve System Parts

Product Number	Description
----------------	-------------

Natural Gas Valve System (Robert Shaw)

1000 - 205R	Valve Millivolt NG (711-701-417)
1000 - 207R	Pilot Burner (76743)
1000 - P136WR	Generator (G01A-524)

Natural Gas Valve System (S.I.T. Controls)

1001 - P624SI	Valve Millivolt NG (820.624)
1001 - P714SI	Pilot Burner NG (190.714)
1001 - P129SI	Thermocouple (290.129)
1001 - P508SI	HT Cable 16" (028.508)
1001 - P136WR	Generator (G01A-524)
1001 - P165SI	Orifice Pilot NG (977.165)
1001 - P035SI	Sparker Electrode (915-035)

Liquid Propane Valve System (Robert Shaw)

1000 - 205PR	Valve Millivolt LP (711-701-417) & (82431)
1000 - 207PR	Orifice Pilot LP (76370)
1000 - 207R	Pilot Burner (76743)
1000 - P136WR	Generator (G01A-524)

Liquid Propane Valve System (S.I.T. Controls)

1001 - P624SI	Valve Millivolt LP (820.624)
1001 - P713SI	Pilot Burner LP (190.713)
1001 - P129SI	Thermocouple (290.129)
1001 - P508SI	HT Cable 16" (028.508)
1000 - P136WR	Generator (G01A-524)
1001 - P167SI	Orifice Pilot LP (977.167)
1001 - P035SI	Sparker Electrode (915-035)

Miscellaneous Parts

Product Number	Description
----------------	-------------

1000 - 214	Piezo-Igniter
1000 - 215	Pal Nut for Piezo
1000 - 216	On/Off Switch
1000 - 255 - 46	Orifice Burner Natural Gas #46
1000 - 255 - 54	Orifice Burner Liquid Propane #54
1000 - Ember	Glowing Moon Rock
6500 - 190	Glass Tempered
6500 - P904ES	Safety Spill Switch

Fireplace Part Numbers

Product Number	Description
----------------	-------------

ZV6500N	Zero Clearance Vented Fireplace (Natural Gas) Top Vent, with screens
ZV6500LP	Zero Clearance Vented Fireplace (Liquid Propane) Top Vent, with screens

Fireplace Accessories

Product Number	Description
----------------	-------------

Log Set (Required for Each Unit)

LOGC65	Log Set - 4 pce. Cast Oak (ZDV3620,ZV6500 Series)
--------	---

Grill Kit: (Required for Each Unit)

Z6GBA	Grill Kit - Classic Builder Antique Brass
Z6GBC	Grill Kit - Classic Builder Chrome
Z6GBP	Grill Kit - Classic Builder Polish Brass
VI30GBL	Grill Kit - Black
VI30GAB	Grill Kit - Antique Brass
VI30GPB	Grill Kit - Polish Brass
Z6GCR	Grill Kit - Chrome

Optional Accessories

ZV65GD	Glass Door Kit - Tempered
Z6SAB	Surround - Antique Brass Cover Old Style (30 1/2" H x 35 1/2" W)
Z6SCR	Surround - Chrome Cover New Style (31 3/16" H x 36 5/8" W)
Z6SPB	Surround - Polish Brass Cover New Style (31 3/16" H x 36 5/8" W)
Z33SLAB	Surround Slim Line - Antique Brass Coverage (30 7/8" H x 33 7/8" W)
Z33SLCR	Surround Slim Line - Chrome Coverage (30 7/8" H x 33 7/8" W)
Z33SLPB	Surround Slim Line - Polish Brass Coverage (30 7/8" H x 33 7/8" W)
Z33SLBL	Surround Slim Line - Gun Metal Black Coverage (30 7/8" H x 33 7/8" W)

Z65DTA	Door Trims - Antique Brass
Z65DTC	Door Trims - Chrome
Z65DTP	Door Trims - Polish Brass

Z1RC	Remote Control Millivolt (On/Off with LED) (Model I)
ZART	Remote Control Thermostat Millivolt (Model K)
RMCBN	Remote Control - Basic - Natural Gas (On/Off, Hi/Lo Flame Adjustment)
RMCBP	Remote Control - Basic - Liquid Propane (On/Off, Hi/Lo Flame Adjustment)
DCHS	Remote Control Heatshield
ZIMT	Thermostat Millivolt Wall Mount
Z80PT	Thermostat Programmable Digital Millivolt Wall Mount (1F80-40)

Z65FAK	Fresh Air Kit
--------	---------------

Conversion Kit (SIT valve only)

6500-CKLP	LP Conversion Kit
6500-CKNG	NG Conversion Kit

Trouble Shooting The Gas Control System

WARNING: BEFORE DOING ANY GAS CONTROL SERVICE WORK, REMOVE THE GLASS FRONT.

NOTE: Before troubleshooting the gas control system, be sure external gas shut off is in the "On" position.

Problem	Possible Causes	Corrective Action
Spark igniter will not light.	Defective or misaligned electrode at pilot.	Check for spark at electrode and pilot: if no spark and electrode wire is properly connected, replace igniter.
	Defective igniter (push-button)	Using a match, light pilot. If pilot lights, turn off pilot and push the red button again. If pilot will not light - check gap at electrode and pilot should be 1/8" to 1/4" to have a strong spark.
Pilot will not stay lit after carefully following lighting instructions.	Defective pilot generator, remote wall switch, or thermocouple (flame switch where applicable)	Check pilot flame. Must impinge on generator and thermocouple. Clean and/or adjust pilot for maximum flame impingement on generator Be sure wire connections from generator at gas valve terminals are tight and generator is fully inserted into pilot bracket. One of the wall switch wires may be grounded. Remove all switch wires from valve terminals, if pilot now stays lit, trace wall switch wiring for ground. May be grounded to appliance or gas supply. Check generator with millivolt meter. Take reading at generator terminals of gas valve. Should read 325 millivolts minimum while holding valve knob depressed in pilot position and wall switch "off" Replace faulty generator if reading is below specified minimum.
	Defective valve magnet.	Turn valve knob on "On", place wall switch on "On". Millivolt meter should read greater than 100mV. If the reading is okay and the burner does not come on, replace the gas valve.
Pilot burning, no gas to burner, Valve knob "ON", Wall Switch "ON"	Wall switch or wires defective.	Check wall switch and wires for proper connections. Jumper wire across terminals at wall switch. If burner comes on, replace defective wall switch. If okay, jumper wires, across wall switch wires at valve. If burner comes on, wires are faulty or connections are bad.
	Generator may not be generating sufficient voltage.	Re-check symptom #2.
	Plugged burner orifice.	Check burner orifice for stoppage and remove.
	Defective automatic valve operator.	Remove wall switch wires from gas valve. Install jumper wires from top bottom terminals of gas valve. Turn valve on "ON". If main burner does not light, replace valve.
Frequent Pilot outage problem.	Pilot flame may be too low or blowing (high) causing the pilot safety to drop out.	Clean and/or adjust pilot flame for maximum flame impingement on generator and thermocouple.



LIMITED LIFETIME WARRANTY

This Limited Lifetime Warranty applies only while the unit remains at the site of the original installation and only if the unit is installed inside the continental United States, Alaska, Hawaii, and Canada. The warranty applies only if the unit is installed and operated in accordance with the printed instructions and in compliance with applicable installation and building codes and good trade practices.

BASIC ONE YEAR WARRANTY

During the first year after installation, we will provide a replacement for any component part of your unit found to be defective in materials or workmanship, including labour costs. Repair work requires prior approval by Kingsman, labour costs are based on a predetermined rate schedule and any repair work must be done through an authorized Kingsman dealer.

LIMITED LIFETIME WARRANTY

The heat exchanger, combustion chamber and burner of every Kingsman product excluding the Outdoor Firepit are warranted against materials or workmanship during the period the product is owned by the original owner. The part to be replaced must be returned to our distributor in exchange for the replacement part. Any labor, material, freight and/or handling charges associated with any repair or replacement pursuant to this Limited Lifetime Warranty will not be covered by this warranty.

GENERAL TERMS

In lieu of providing a replacement part, we may, at our option, provide the distributor's component purchase price from us or a credit equal to the distributors component purchase price from us toward the purchase of any new unit which we distribute. If a credit is given in lieu of a replacement part, the rating plate from the unit being replaced must be submitted on a warranty claim, and the unit being replaced must be made available to our distributor for disposition.

In establishing the date of installation for any purpose, including determination of the starting date for the term of this Limited Lifetime Warranty, reasonable proof of the original installation date must be presented*, otherwise the effective date will be based upon the date of manufacture plus thirty (30) days.

We will not be responsible for and you, the user, will pay for: (a) damages caused by accident, abuse, negligence, misuse, riot, fire, flood, or Acts of God (b) damages caused by operating the unit where there is a corrosive atmosphere containing chlorine, fluorine, or any other damaging chemicals (other than in a normal residential environment) (c) damages caused by any unauthorized alteration or repair of the unit affecting its stability or performance (d) damages caused by improper matching or application of the unit or the unit's components (e) damages caused by failing to provide proper maintenance and service to the unit (f) any expenses incurred for erecting, disconnecting or dismantling the unit (g) parts or supplies used in connection with service or maintenance (h) damage repairs, inoperation or inefficiency resulting from faulty installation or application (i) electricity or fuel costs or any increase in electricity or fuel cost whatsoever including additional or unusual use of supplemental electric heat.

We shall not be liable for any incidental, consequential, or special damages or expenses in connection with any use or failure of this unit. We have not made and do not make any representation or warranty of fitness for a particular use or purpose, and there is no implied condition of fitness for a particular use or purpose. We make no express warranties except as stated in this Limited Lifetime Warranty. No one is authorized to change this Limited Lifetime Warranty or to create for us any other obligation or liability in connections with this unit. Any implied warranties shall last for one year after the original installation. Some states and provinces do not allow the exclusion or limitation of incidental or consequential damages or do not allow limitations on how long an implied warranty or condition lasts, so the above limitations or exclusions may not apply to you. The provisions of this limited warranty are in additions to and not a modification of or subtraction from any statutory warranties and other rights and remedies provided by law.

Save this certificate. It gives you specific legal rights, and you may also have other rights which may vary from state to state and province to province.

In the event your unit needs servicing, contact your dealer or contractor who installed or serviced your unit. When requesting service, please have the model and serial number from each unit readily available. If your dealer needs assistance, the distributor is available for support and we, in turn support the distributor's efforts.

Fill in the installation date and model and serial numbers of the unit in the space provided below and retain this limited warranty for your files.

Model No. _____ Serial No. _____ Date installed _____

Dealer or Contractor Name: _____

*To receive advantage of your warranty, you must retain the original records that can establish the installation date of your unit.