



UNVENTED (VENT-FREE) Zero Clearance Fireplace (Insert option)

Certified to: ANSI Z21.11.2b – 2004, Z21.11.2 – 2002, Z21.11.2a - 2003

MODEL NUMBER IVF36

Owner's Operation and Installation Manual

Stock Numbers: IVF36MVN, IVF36MVP Circulating Models



Warning

Carefully review the instructions supplied with the decorative type unvented room heater for the minimum size requirement.

DO NOT INSTALL THE APPLIANCE IN THIS FIREBOX UNLESS THIS FIREBOX MEETS THE MINIMUM DIMENSIONS REQUIRED FOR THE INSTALLATION

This appliance must be installed by a licensed plumber or gas fitter in the Commonwealth of Massachusetts and meet the requirements of 527 CMR 30 and 248 CMR.

Warning

FOR USE ONLY WITH DECORATIVE TYPE UNVENTED ROOM HEATERS

DO NOT BUILD A WOOD FIRE.

Warning

If the information in this manual is not followed exactly, a fire or explosion may result causing property damage, personal injury, or loss of life.

- Do not store or use gasoline or other flammable vapors and liquids in the vicinity of this or any other appliance.
- **WHAT TO DO IF YOU SMELL GAS**
 - Do not try to light any appliance.
 - Do not touch any electrical switch; do not use any phone in your building.
 - Immediately call your gas supplier from a neighbor's phone. Follow the gas supplier's instructions.
 - If you cannot reach your gas supplier, call the fire department.
- Installation and service must be performed by a qualified installer, service agency, or the gas supplier.

Warning

Improper installation, adjustment, alteration, service, or maintenance can cause injury or property damage. Refer to this manual for correct installation and operational procedures. For assistance or additional information consult a qualified installer, service agency, or the gas supplier.

Warning

This is an unvented gas-fired heater. It uses air (oxygen) from the room in which installed. Provisions for adequate combustion and ventilation must be provided. Refer to Page 7.



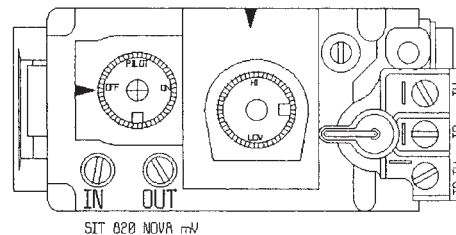
WARNING:

PLEASE VERIFY THE FOLLOWING STEPS ARE TAKEN WHEN INSTALLING A VENT FREE BURNER SYSTEM.

STEP 1: WHEN INSTALLING BURNER SYSTEMS, VERIFY THAT THE SERIAL NUMBER PLATE AND YELLOW BURNER INSPECTION TAG (LOCATED NEAR VALVE) ARE THE SAME TYPE OF GAS. SHOULD THE GAS TYPE NOT BE SAME, RETURN THE BURNER SYSTEM TO WHOM YOU PURCHASED IT FROM, AND ASK FOR A REPLACEMENT.

STEP 2: VERIFY THE WATER COLUMN PRESSURE (IN/OUT). (IF YOU DON'T KNOW HOW TO CHECK WATER COLUMN PRESSURE YOU SHOULD NOT BE INSTALLING THIS PRODUCT, CONTACT A LICENSED GAS FITTER.) THE OUTLET PRESSURE IS REQUIRED NOT TO EXCEED THE FACTORY SETTINGS. ADJUST PROPANE AT THE REGULATOR IF PRESSURES EXCEED THOSE RECOMMENDED, IF THE NATURAL GAS PRESSURE IS ABOVE 3 1/2" CONTACT THE FACTORY OR SALES REPRESENTATIVE WITH YOUR READING BEFORE YOU USE THE BURNER SYSTEM.

<u>TYPE OF GAS</u>	<u>INLET</u>	<u>OUTLET</u>
PROPANE	11"	10"
NATURAL GAS	5 1/2 - 7"	3 1/2"



STEP 3: THE POSITIONING OF THE LOGS IS CRITICAL FOR SAFE AND CLEAN OPERATION OF THIS HEATER. SOOTING AND OTHER PROBLEMS CAN OCCUR IF THE LOGS ARE NOT PROPERLY AND FIRMLY POSITIONED AS INSTRUCTED IN MANUAL. DO NOT ATTEMPT TO INSTALL LOGS IF THEY ARE DAMAGED OR BROKEN.

FAILURE TO FOLLOW AND COMPLY WITH THESE STEPS CAN CAUSE SOOTING AND KINGSMAN FIREPLACES WILL NOT BE RESPONSIBLE FOR ANY INCIDENTAL, CONSEQUENTIAL OR SPECIAL DAMAGES OR EXPENSES IN CONNECTION WITH ANY USE OR FAILURE OF THE VENT FREE BURNER SYSTEM.

READ OWNERS MANUAL CAREFULLY AND COMPLETELY BEFORE TRYING TO ASSEMBLE OPERATE, OR SERVICE THIS APPLIANCE.

TABLE OF CONTENTS

SECTION	PAGE
Fireplace Accessories & Parts List	4
Safety Information	5
Local Codes	6
For Your Safety Read Before Lighting	6
Air for Combustion and Ventilation	7
Providing Adequate Ventilation	7
Determining Air Flow for Firebox Location	7
Ventilation Air From Inside Building	9
Ventilation Air From Outdoors	10
Installing	11
Installation Clearances	11
IVF36 insert dimensions	12
Framing dimensions for zero clearance	13
Installing by Framing Fireplace	14
Installing Firebox Using Optional Pre-Built Mantel Cabinets	15
Installing Gas Line	17
Installing Burner Systems into Firebox	17
Millivolt Lighting Instructions	19
Cleaning and Servicing of Burner / ODS Pilot	20
Log Placement	21-22
Options, Brass trim and overlays	23
Insert surround installation	24
Fan Kit servicing and replacement	25
Illustrated Parts Lists	26
Troubleshooting	27-28
Warranty	29

FIREPLACE ACCESSORIES AND PARTS LIST

Product No. Description

IVF36 VENT FREE INSERT AND ZERO CLEARANCE FIREBOX
Listed for USA as a Vent Free Firebox, Includes Dual Burner, Variable Speed Controlled Blower with Heat Sensor, Millivolt Valve, ODS Pilot, Pull Screens (Minimum Size of Fireplace for installation 28 3/4"W x 24 1/4"H x 13 3/4"D)

IVF36MVN Vent Free Insert - Natural Gas (as above) 32,000 BTU/HR
IVF36MVP Vent Free Insert - Liquid Propane (as above) 33,000 BTU/HR

LOG SET: (Required For Each Unit)

LOGF18 Log Set - Fibre split Oak 18"
LOGF24 Log Set - Fibre split Oak 24"

GRILL KIT: (Required For Each Unit)

I36GBA Grill Kit - Classic Builder Antique Brass
I36GBC Grill Kit - Classic Builder Chrome
I36GBP Grill Kit - Classic Builder Polish Brass
I36GBL Grill Kit - Black
I36GAB Grill Kit - Antique Brass
I36GPB Grill Kit - Polish Brass
I36GCR Grill Kit - Chrome

CHOOSE ONE SURROUND AND TRIM IF AVAILABLE: (If needed)

I36S2939B Surround Soft Arch - Black (1 piece)
(Coverage Size 29 1/2"H x 39"W)

I36S3147B Surround Medium - Black
I36T3147A Trim Kit - Antique Brass
I36T3147C Trim Kit - Chrome
I36T3147P Trim Kit - Polish Brass
I36T3147B Trim Kit - Black
(Size 31"H x 47"W)

I36S3647B Surround Large - Black
I36T3647A Trim Kit - Antique Brass
I36T3647C Trim Kit - Chrome
I36T3647P Trim Kit - Polish Brass
I36T3147B Trim Kit - Black
(Size 36"H x 47"W)

ACCESSORIES OPTIONS:

I36DTAB Door Trim Kit - Antique Brass
I36DTCR Door Trim Kit - Chrome
I36DTPB Door Trim Kit - Polish Brass

Z1ADBL Arch Door Frame - Black
Z36ADDX Arch Door Frame - Deluxe Black (352)
Z36ADDA Arch Door Frame - Double Arch Black (354)
Z36ADDD Arch Door Frame - Double Door Arch Black (355)
Z1ADAB Arch Door Frame - Antique Brass
Z36ADCR Arch Door Frame - Chrome
Z1ADPB Arch Door Frame - Polish Brass

ZVF36DS Door Frame - c/w Fixed Screen
Z1MT Thermostat Millivolt Wall Mount
Z80PT Thermostat Programmable Digital Millivolt Wall Mount (IF80-40)
Z1RC Remote Control Millivolt (On/Off with LED) (Model 1)
ZART Remote Control Thermostat Millivolt (Model K)
RMCBN Remote Control - Basic - Natural Gas (On/Off, Hi/Lo Flame Adjustment)
RMCBP Remote Control - Basic - Liquid Propane (On/Off, Hi/Lo Flame Adjustment)
DCHS Remote Control Heatshield
Z36RL Refractory Liner (3 piece)

SAFETY INFORMATION WARNINGS

WARNINGS

Important: Read this owner's manual carefully and completely before trying to assemble, operate, or service this firebox. Improper use of this firebox can cause serious injury or death from burns, fire, explosion, electrical shock, and carbon monoxide poisoning.

Early signs of carbon monoxide poisoning resemble the flu, with headaches, dizziness, and / or nausea. If you have these signs, the heater may not be working properly. **Get fresh air at once!** Turn off gas appliance. Have appliance serviced. Some people (such as pregnant women, persons with heart or lung disease, persons with anemia and those at high altitudes) are more affected by carbon monoxide than others. Make certain you read and understand all warnings.

1. Use correct gas type for your appliance. Do not convert from one gas type to another.
2. If this appliance is for use with Propane gas, do not place propane supply tank(s) inside any structure. Locate propane supply tank(s) outdoors.
3. If you smell gas:
 - Shut off gas supply.
 - Do not try to light any appliance.
 - Do not touch any electrical switch; do not use any phone in your building.
 - Immediately call your gas supplier from a neighbor's phone. Follow the gas supplier's instructions.
 - If you cannot reach your gas supplier, call the fire department.
4. Do not use this appliance for burning trash or cooking. Never place matches, paper, garbage, or any other material on top of logs or logs into flame.
5. Always operate appliance with front fireplace screens closed.
6. Make sure any safety screen or guard removed for servicing is in place before running appliance.
7. Never run appliance in a small, closed room. Open the door into next room to help ventilate.
8. If appliance shuts off, do not relight until you provide fresh outside air. If appliance keeps shutting off, have it serviced.
9. Do not run appliance:
 - where flammable liquids or vapors are used or stored.
 - under dusty conditions.
10. Surface of appliance becomes very hot when operating. Keep children and adults away from hot surface. Appliance will remain hot for some time after shutdown. Allow surface to cool before touching.
11. Do not use this appliance if any part has been submerged under water. Immediately call a qualified technician to inspect the appliance and to replace any part of the control system and gas control which has been under water.
12. The installation must conform with local codes or, in the absence of local codes, with the National Fuel Gas Code, ANSI Z223.1.
13. Never install the appliance:
 - in a bedroom, bathroom, mobile home, or recreational vehicle.
 - where curtains, furniture, clothing, or other flammable objects are less than forty-two inches (42") from the front of the appliance.
 - in high traffic areas.
 - in windy or drafty areas.
14. Disconnect the appliance and its individual shut off valve from the gas supply piping system during any pressure testing of that system at test pressures in excess of 1/2 psig, (3.5kPa).

DANGER

**CARBON MONOXIDE POISONING
MAY LEAD TO DEATH!**

NOTE: It is recommended that a Carbon Monoxide (CO) Detector be installed in or near bedrooms and on all levels of your home. Place a detector about 15 feet (4.5 meters) outside the room that houses your gas appliance.

SAFETY INFORMATION WARNINGS Cont.

15. Isolate the appliance from the gas supply piping system by closing its individual manual shut off valve during any pressure testing of the the gas supply piping system at test pressure equal or less than 1/2 psig.
16. Do not use any type of after-market blower that fits inside the fireplace. Drafts created by these type of blowers may cause sooting.
17. Turn off appliance and let cool before servicing. Only a qualified service person should install, service and repair appliance.
18. Inspect the appliance before use and at least annually by a professional service person. Frequent cleaning may be required due to excessive lint from carpeting, bedding material, etc. It is important that control compartment, burner and circulating air passage of the appliance be kept open.
19. When operated for the first time, there will be some smell from the appliance. This will diminish and disappear after a few hours of operation.
20. **Warning:** Do not allow fans to blow directly into the fireplace. Avoid any drafts that alter flame patterns.
21. **Warning:** Do not use a blower insert, heat exchanger insert or other accessory not approved for use with this heater.
22. The firebox canopy must not be replaced with a canopy which may be provided with the decorative type UNVENTED room heater.
23. **Warning:** Do not operate ceiling fans in same room as the vent free appliance.
24. Must be installed by a licenced gasfitter in the Commonwealth of Massachusetts. Complies to code 527CMR.
25. Unvented gas fired appliances may be used only for supplemental heat and/or decorative purposes and under no circumstances shall they provide a primary heat source.

LOCAL CODES

Install and use fireplace with care. Follow all local codes. In the absence of local codes, use the latest edition of The National Fuel Gas Code ANSI Z223.1, also known as NFPA 54*. Firebox must be electrically grounded in accordance with the National Electrical Code, ANSI/NFPA 70 (latest edition).

*Available from:

American National Standards Institute, Inc.
1430 Broadway
New York, NY 10018

National Fire Protection Association, Inc.
Batterymarch Park
Quincy, MA 02260

WARNING

If you do not follow these instructions exactly, a fire or explosion may result causing property damage, personal injury or loss of life.

FOR YOUR SAFETY READ BEFORE LIGHTING

- A. This appliance has a pilot which must be lighted by hand. When lighting the pilot, follow these instructions exactly.
- B. **Before lighting**, smell all around the appliance area for gas. Be sure to smell next to the floor because some gas is heavier than air and will settle on the floor.

What to do if you smell gas

- Do not try to light any appliance.
 - Do not touch any electric switch; do not use any phone in your building.
 - Immediately call your gas supplier from a neighbor's phone. Follow the gas supplier's instructions.
 - If you cannot reach your gas supplier, call the fire department.
- C. Use only your hand to push in or turn the gas control knob. Never use tools. If the knob will not push in or turn by hand, don't try to repair it, call a qualified service technician or gas supplier. Force or attempted repair may result in a fire or explosion.
 - D. Do not use this appliance if any part has been under water. Immediately call a qualified service technician to inspect the appliance and to replace any part of the control system and any gas control which has been under water.

AIR FOR COMBUSTION AND VENTILATION

Today's homes are built more energy efficient than ever. New materials, increased insulation, and new construction methods help reduce heat loss in homes. Home owners weather strip and caulk around windows and doors to keep the cold air out and the warm air in. During heating months, home owners want their homes as airtight as possible.

WARNING

This firebox shall not be installed in a confined space unless provisions are provided for adequate combustion and ventilation air. Read the following instructions to insure proper fresh air for this and other fuel-burning appliances in your home.

While it is good to make your home energy efficient, your home needs to breathe. Fresh air must enter your home. All fuel-burning appliances need fresh air for proper combustion and ventilation.

Exhaust fans, fireboxes, clothes dryers, and fuel burning appliances draw air from the house to operate. You must provide adequate fresh air for these appliances. This will insure proper venting of vented fuel-burning appliances.

PROVIDING ADEQUATE VENTILATION

The following are excerpts from *National Fuel Gas Code, NFPA 54/ANSI Z223.1, Section 5.3, Air for Combustion and Ventilation*:

All spaces in homes fall into one of the three following ventilation classifications:

1. Unusually Tight Construction;
2. Unconfined Space;
3. Confined Space.

The information on pages 8 through 10 will help you classify your space and provide adequate ventilation.

Unusually Tight Construction

The air that leaks around doors and windows may provide enough fresh air for combustion and ventilation. However, in building of unusually tight construction, you must provide additional fresh air.

Unusually tight construction is defined as construction where:

- a. walls and ceilings exposed to the outside atmosphere have a continuous water vapor retarder with a rating of one perm (6 x 10⁻¹¹ per pasc-m²) or less with openings gasketed or sealed and
- b. weather stripping has been added on openable windows and doors *and*
- c. caulking or sealants are applied to areas such as joints around window and door frames, between sole plates and floors, between wall-ceiling joints, between wall panels, at penetrations for plumbing, electrical, and gas lines, and at other openings.

If your home meets all of the three criteria above, you must provide additional fresh air.

See *Ventilation Air From Outdoors*, page 10.

Confined and Unconfined Space

The National Fuel Gas Code (*ANSI Z223.1, 1992 Section 5.3*) defines a confined space as a space whose volume is less than 50 cubic feet per 1,000 btu per hour (4.8 m³ per kw) of the aggregate input rating of all appliances installed in that space. Rooms communicating directly with the space in which the appliances are installed*, through openings not furnished with doors, are considered a part of the unconfined space.

*Adjoining rooms are communicating only if there are doorless passageways or ventilation grills between them.

DETERMINING AIR FLOW FOR FIREBOX LOCATION

Determining if You Have a Confined or Unconfined Space

Use the work sheet on the next page to determine if you have a confined or unconfined space.

Space: Includes the room in which you will install firebox plus any adjoining rooms with doorless passageways or ventilation grills between the rooms.

AIR FOR COMBUSTION AND VENTILATION Cont.

1. Determine the volume of the space (length x width x height).

Length x Width x Height = _____ cu. ft. (volume of space)

Example: Space size 22ft. (length) x 18 ft. (width) x 8 ft. (ceiling height) = 3168 cu. ft. (volume of space)

If additional ventilation to adjoining room is supplied with grills or openings, add the volume of these rooms to the total volume of the space.

2. Divide the space volume by 50 cubic feet to determine the maximum Btu/Hr the space can support.

_____ (volume of space) ÷ 50 cu. ft. = 63.3 or 63,300 (maximum Btu/Hr the space can support)

3. Add the Btu/Hr of all fuel burning appliances in the space.

Vent-free firebox	_____	Btu/Hr
Gas water heater*	_____	Btu/Hr
Gas furnace	_____	Btu/Hr
Vented gas heater	_____	Btu/Hr
Gas firebox logs	_____	Btu/Hr
Other gas appliances*	+ _____	Btu/Hr
Total	= _____	Btu/Hr

Example:	Gas water heater	40,000 Btu/Hr
	Vent-free firebox with log heater	+ 39,000 Btu/Hr
	Total	= 79,000 Btu/Hr

* Do not include direct-vent gas appliances. Direct-vent draws combustion air from the outdoors and vents to the outdoors.

4. Compare the maximum Btu/Hr the space can support with the actual amount of Btu/Hr used.

_____ Btu/Hr (maximum the space can support)

_____ Btu/Hr (actual amount of Btu/Hr used)

Example: 63,300 Btu/Hr (maximum the space can support)

79,000 Btu/Hr (actual amount of Btu/Hr used)

The space in the above example is a confined space because the actual Btu/Hr used is more than the maximum Btu/Hr the space can support. You must provide additional fresh air. Your options are as follows:

- A. Rework work sheet, adding the space of an adjoining room. If the extra space provides an unconfined space, remove door to adjoining room or add ventilation grills between rooms, See *Ventilation Air from Inside Building*, page 9.
- B. Vent room directly to the outdoors. See *ventilation Air from Outdoors*, page 10.
- C. Install a lower Btu/Hr firebox, if lower Btu/Hr size makes room unconfined.

If the actual Btu/Hr used is less than the maximum Btu/Hr the space can support, the space is an unconfined space. You will need no additional fresh air ventilation.

WARNING

If the area in which the firebox and gas log heater may be operated is smaller than that defined as an unconfined space, provide adequate combustion and ventilation air by one of the methods described in the National Fuel Gas Code, ANSI Z223.1, 1992, Section 5.3.

AIR FOR COMBUSTION AND VENTILATION Cont.

VENTILATION AIR FROM INSIDE BUILDING

This fresh air would come from an adjoining unconfined space. When ventilating to an adjoining unconfined space, you must provide two permanent openings: one within 12" of the ceiling and one within 12" of the floor on the wall connecting the two spaces. You can also remove door into adjoining room. Follow the *National Fuel Gas Code NFPA 54/ANSI Z223.1, Section 5.3, Air for Combustion and Ventilation* for required size of ventilation grills or ducts.

WARNING

Rework worksheet, adding the space of the adjoining unconfined space. The combined spaces must have enough fresh air to supply all appliances in both spaces.

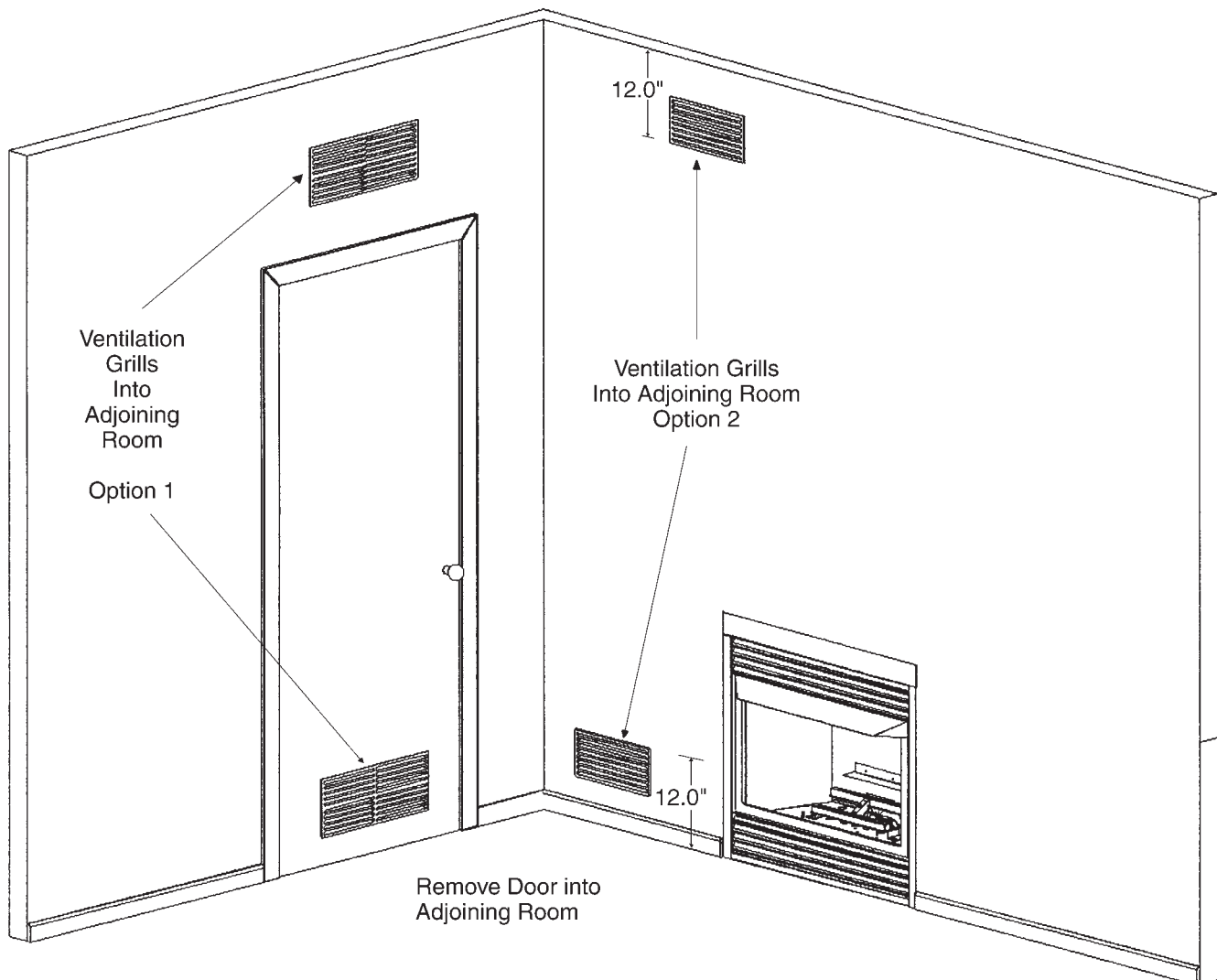


FIGURE 5 - Ventilation Air from Inside Building

AIR FOR COMBUSTION AND VENTILATION Cont.

Ventilation Air From Outdoors

Provide extra fresh air by using ventilation grills or ducts. You must provide two permanent openings: one within 12" of the ceiling and one within 12" of the floor. Connect these items directly to the outdoors or spaces open to the outdoors. These spaces include attics and crawl spaces.

IMPORTANT: Do not provide openings for inlet or outlet air into attic if attic has a thermostat-controlled power vent. Heated air entering the attic will activate the power vent.

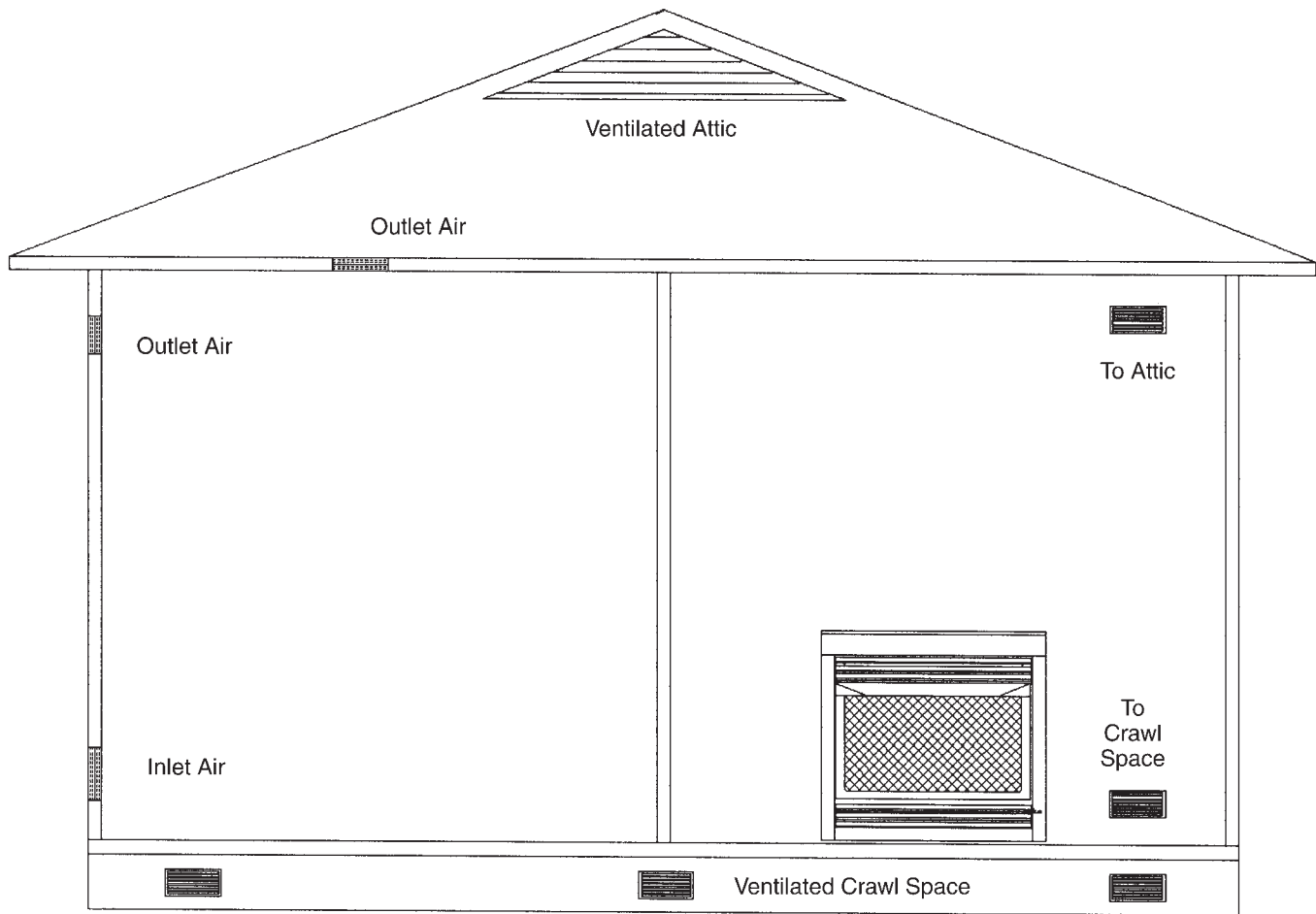


FIGURE 6 - Ventilation Air from Outdoors

INSTALLING – Clearances

NOTICE

A qualified service person must install firebox. Follow all local codes.

WARNING

Never install the firebox

- in a bedroom or bathroom
- in a recreational vehicle
- where curtains, furniture, clothing, or other flammable objects are less than 36 inches from the front, top, or sides of the firebox
- in high traffic areas
- in windy or drafty areas

IMPORTANT: Vent-free gas log heaters add moisture to the air. Although this is beneficial, installing firebox in rooms without enough ventilation air may cause mildew to form from too much moisture. See *Air for Combustion and Ventilation*, pages 7 through 10.

IMPORTANT: Make sure the firebox is level. If firebox is not level, log set will not work properly.

INSTALLATION CLEARANCES

Carefully follow the instructions below. This will ensure safe installation.

Minimum Wall and Ceiling Clearances

- Clearances from the firebox to adjacent wall should not be less than 6 inches.
- Clearance from the top of the fireplace front to the ceiling should not be less than 41 inches.
- Clearance from the bottom of firebox to the floor is 0 inches.
- Clearance from top of fireplace standoffs is 0 inches.

These fireboxes can be installed as freestanding units against a wall with the approved, optional cabinet mantels or as a built-in unit. The clearances are the same for either installation method.

WARNING

Ensure the minimum clearances are maintained. Left and right clearances are determined when facing the front of the heater.

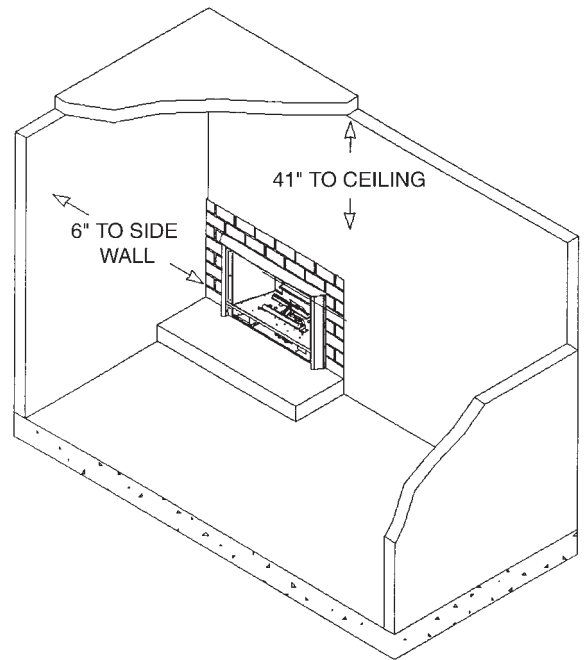


FIGURE 7 – Minimum Clearances - Top and Sides of Room Heater to Ceiling and Walls.

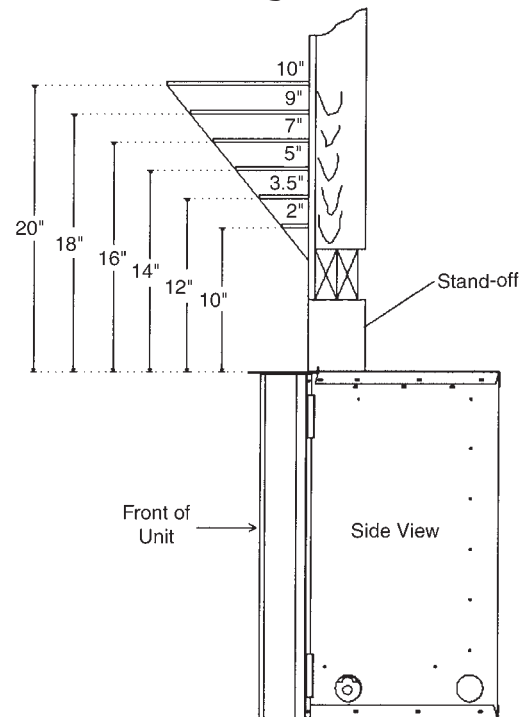
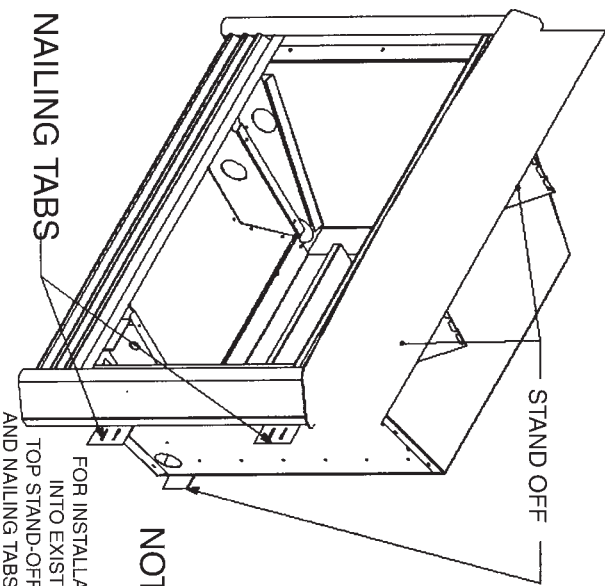
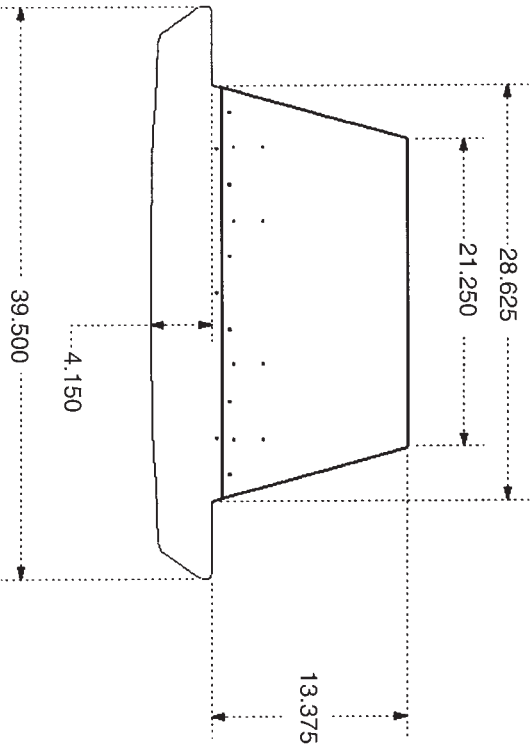
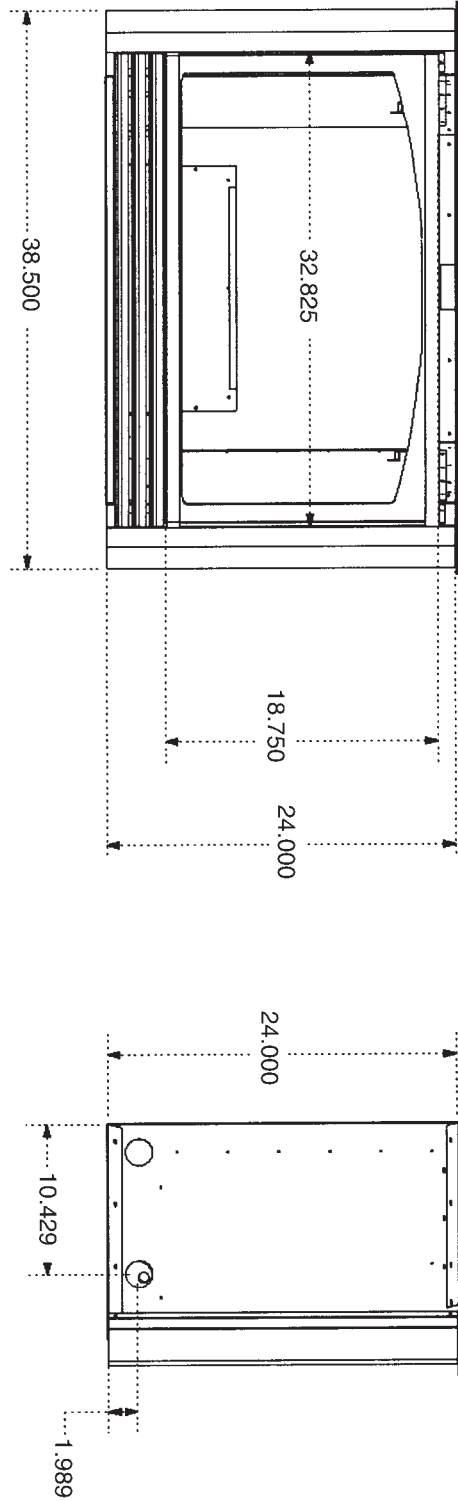


FIGURE 8 – Mantel Clearances.

WARNING

Maintain the minimum clearances. If you can, provide greater clearances from floor, ceiling, and adjoining wall.

IVF36 INSERT DIMENSIONS



NOTE:
 FOR INSTALLATION AS AN INSERT INTO EXISTING FIREPLACES, TOP STAND-OFFS, BACK STAND OFFS AND NAILING TABS NEED TO BE REMOVED!

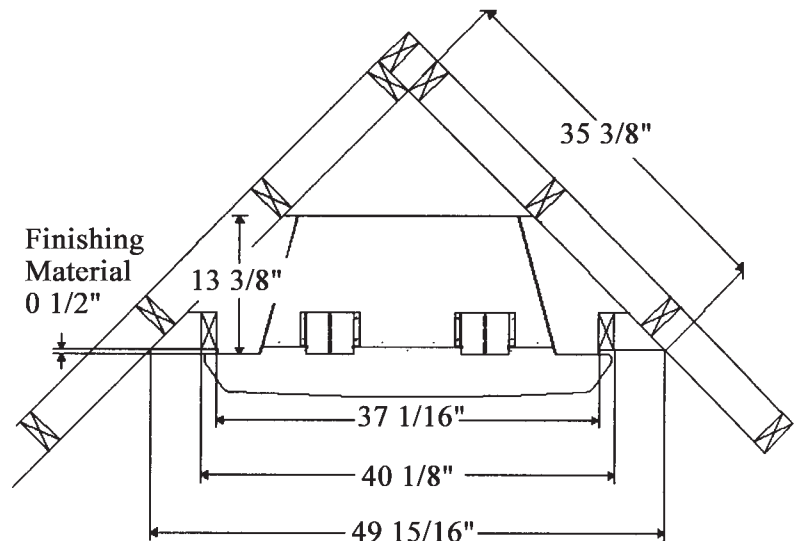
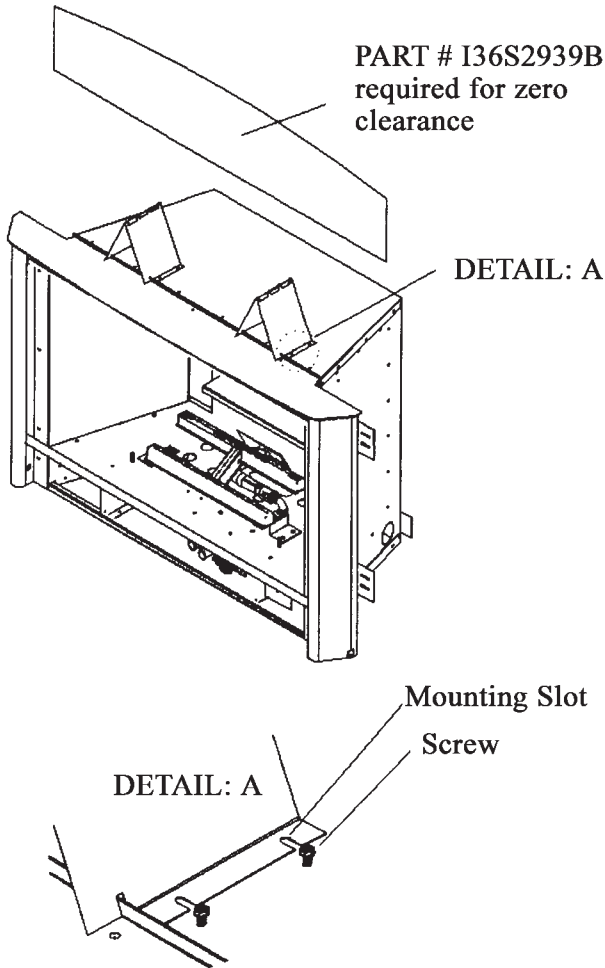
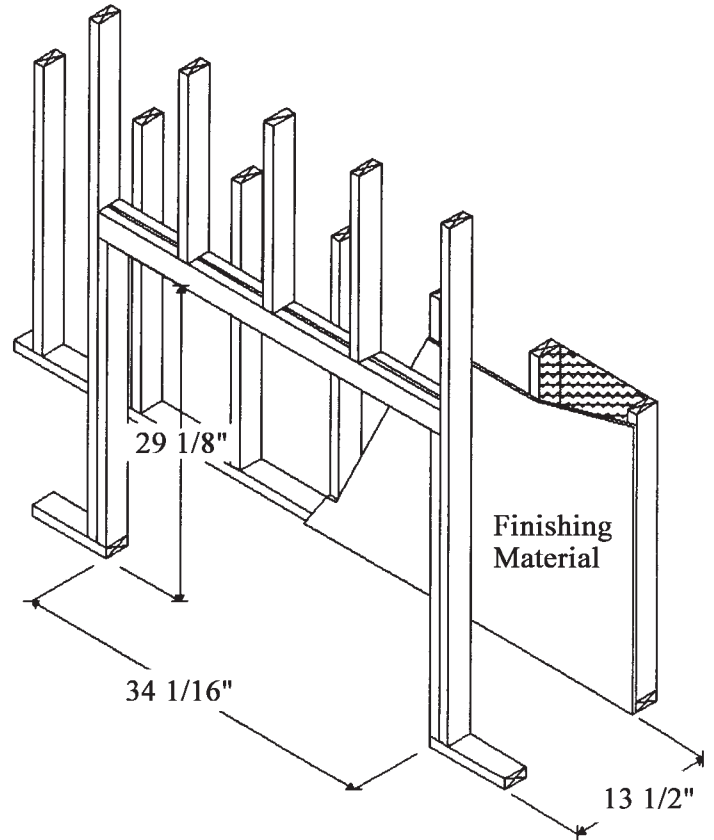
FRAMING DIMENSIONS FOR ZERO CLEARANCE

NOTE :

All standoffs must be secured in place before installing as a Zero Clearance Unit.

NOTE: Do not run combustible material past the framing dimension as shown. Install the surround using the three screws on top of the unit. Slide the surround either left or right to lock into place. This surround can be installed before or after the unit is nailed into place.

For shipping purposes the top stand-offs are not fully secured to the appliance. Locate the mounting slots on the stand-off and slide between the fireplace top and screw head and tighten. SEE DETAIL: A



INSTALLING – Framing

INSTALLING BY FRAMING FIREPLACE

Built-in installation of this firebox involves installing firebox into a framed-in enclosure. Optional brass trim accessories are available. If installing a mantel above the firebox, you must follow the clearances shown in instructions on previous page. Follow the instructions below to install the firebox in this manner.

1. Frame in rough opening. The firebox framing should be constructed of 2 x 4 lumber. Use dimensions in Framing Instructions.

**TABLE 2 – ROUGH OPENING DIMENSIONS
FOR BUILT-IN INSTALLATION**

MODEL #	FRT WIDTH (Inside to Inside)	HEIGHT	DEPTH (Minimum)
IVF36	34 $\frac{1}{16}$ "	29 $\frac{1}{8}$ "	13 $\frac{1}{2}$ "

2. Install gas piping to firebox location. See *Installing Gas Line* on page 17 and *Connecting to Gas Supply* in log set owners manual.
3. Carefully insert firebox into rough opening.
4. Attach firebox to wall studs using nails or wood screws through holes in nailing flange.

IMPORTANT: When finishing your firebox, combustible materials such as wall board, gypsum board, sheet rock, drywall, plywood, etc. may be butted up to and over top of nailing tabs. Combustible materials should never overlap the top standoff. The height of combustible material cannot come below the 29 1/8" from bottom of fireplace.

CAUTION

Do not install the firebox on carpet or vinyl.

CAUTION

Log heaters installed in this firebox create warm air currents. These currents move heat to wall surfaces next to firebox. Installing firebox next to vinyl or cloth wall coverings or operating firebox where impurities in the air (such as tobacco smoke) exist, may discolor walls.

WARNING

Do not allow any materials to overlap the firebox front facing.

WARNING

Do not allow non-combustible materials to cover any necessary openings like louvered slots.

WARNING

Use only non-combustible mortar or adhesives when overlapping the front facing with non-combustible facing material.

WARNING

Never modify or cover the louvered slots on the front of the firebox.

INSTALLING – Mantel Cabinets

INSTALLING FIREBOX USING OPTIONAL PRE-BUILT MANTEL CABINETS

This firebox may be installed using a cabinet mantel accessory against a wall in your home. The firebox and cabinet mantel can be installed directly on the floor.

1. Assemble cabinet mantel. Assembly instructions are included with each accessory.
2. Install gas piping to firebox location. See *Installing Gas Line*, page 17. You may have to cut an access hole in the floor or wall to run gas line to firebox. Make sure to locate access hole so cabinet mantel will cover it when installed (see Figure 9).
3. Place cabinet mantel on floor in desired location. Make sure mantel is flush against wall. Nailing tabs may be removed.
4. Carefully insert firebox into cabinet mantel. Be careful not to scratch firebox, cabinet mantel, flooring, etc. when installing.
5. Install and properly test gas log heater. Follow installation instructions included with the vent-free gas log heater that is being installed.

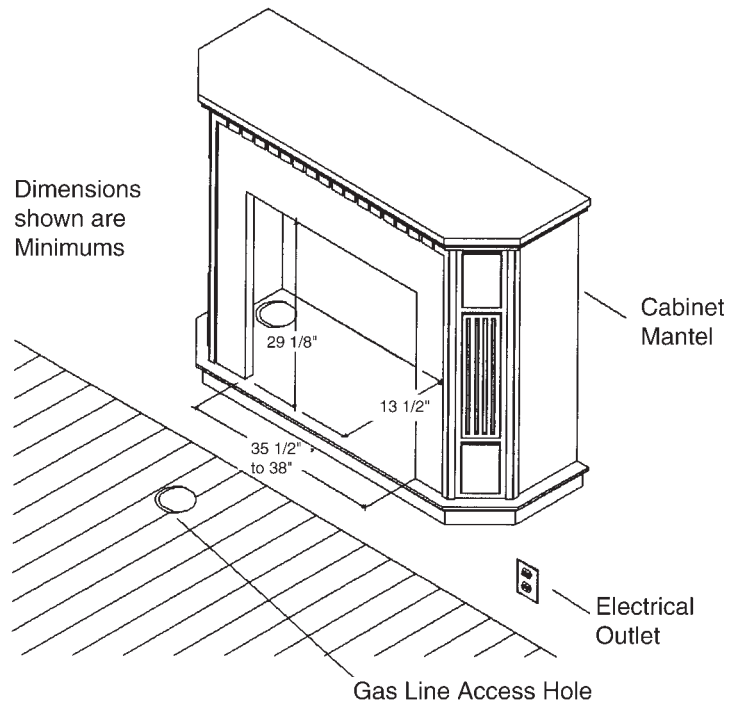


FIGURE 9 – Installing Cabinet Mantel

NOTICE

A qualified service person must install firebox. Follow all local codes.

⚠ WARNING

Any changes to this heater or its controls can be dangerous.

NOTICE

Installation and repair should be done by a qualified service person well trained in the installation of such appliances. You will also need a building permit from your local Building Commissioner before installing this appliance, otherwise your insurance company may not cover this appliance.

⚠ DANGER

**CARBON MONOXIDE POISONING
MAY LEAD TO DEATH!**

⚠ CAUTION

Use new black pipe only. Internally tinned copper tubing can be used in some areas when permitted by local codes. Only use pipe of 1/2" or greater diameter to allow full gas volume to heater. Excessive pressure loss will occur if the pipe is too small.

A manual shutoff valve, union and plugged 1/8" NPT pressure tap pointer must be installed upstream of the heater.

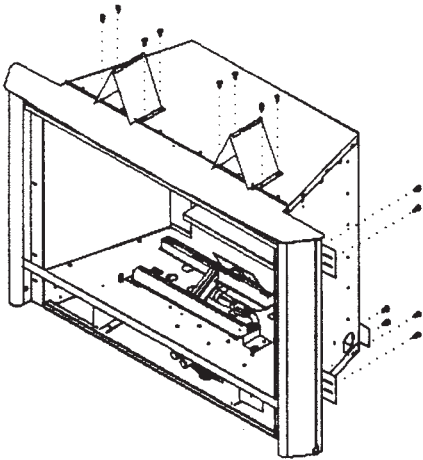
A sediment trap must be installed upstream of the heater to prevent moisture and contaminants from passing through the pipe to the heater controls and burners. Failure to do so could prevent the heater from operating reliably.

INSERT INSTALLATION INTO FIREPLACE

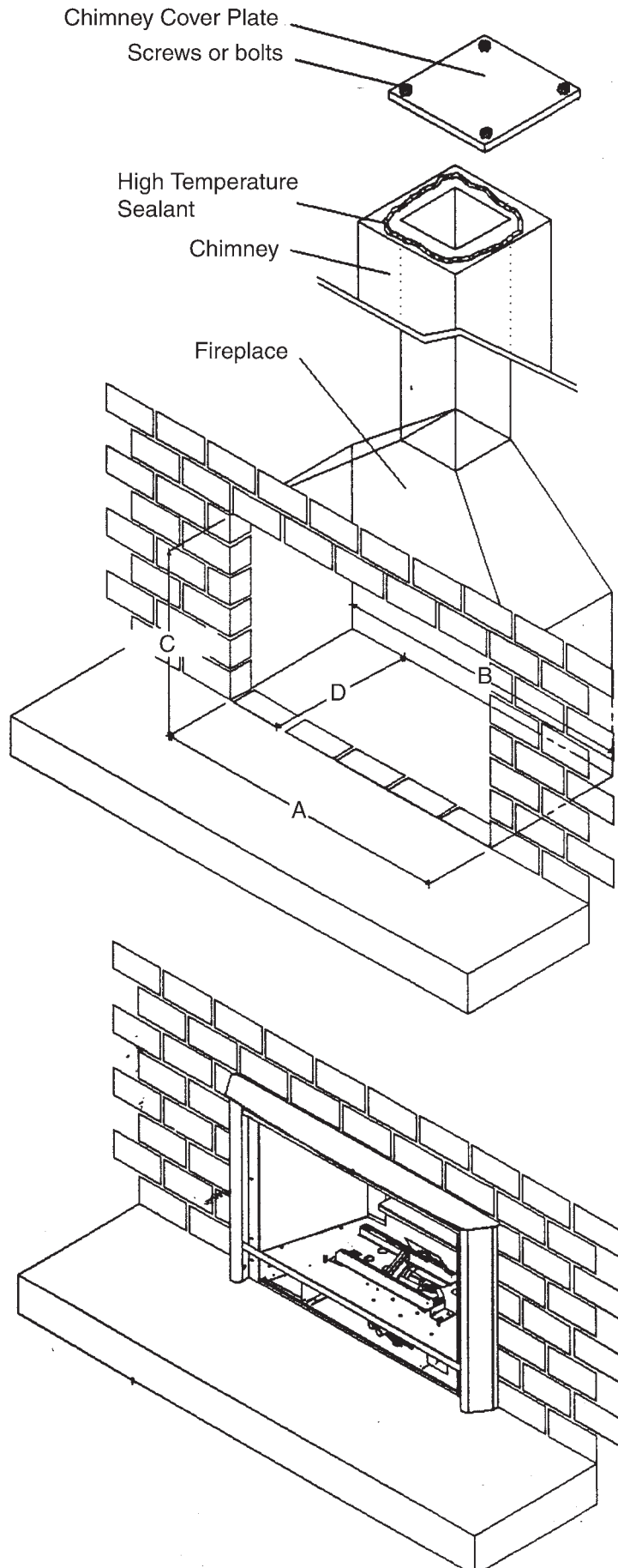
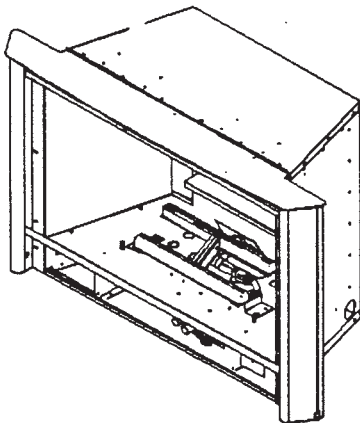
MINIMUM FIREPLACE OPENING

- A: Front Width: 28 3/4"
- B: Rear Width: 21 3/8"
- C: Height: 24 1/4"
- D: Depth: 13 3/4"

Before installing insert into a fireplace it is necessary to remove all the stand-offs and nailing tabs as per the diagram below. Use a 1/4" nut driver to remove all the screws. Stand-offs and nailing tab screws may be discarded.



With Stand-offs and nailing tabs removed



INSTALLING – Gas Line

INSTALLING GAS LINE

Early signs of carbon monoxide poisoning resemble the flu, with headaches, dizziness, and / or nausea. If you have these signs, the heater may not be working properly. **Get fresh air at once!** Turn off gas appliance. Have appliance serviced. Some people (such as pregnant women, persons with heart or lung disease, persons with anemia and those at high altitudes) are more affected by carbon monoxide than others. Make certain you read and understand all warnings. Place Burner Base or Grate Assembly in center of firebox and connect flexible gas line to incoming black iron pipe gas line.

Do not connect appliance before pressure testing gas piping. Damage to gas valve may result and an unsafe condition may be caused.

Prepare incoming black iron gas line with **Teflon tape** or **pipe joint compound** (check with local codes about the use of Teflon tape). Compounds used on threaded joints of gas piping shall be resistant to the action of Liquefied Petroleum (LP or Propane) and should be applied lightly to ensure excess sealant does not enter the gas line.

Complete your gas installation by connecting incoming gas line to regulator. Secure all joints tightly with wrench but **do not over-tighten**. If a flexible gas line is used, take care not to kink connector. The burner pressure is controlled by the regulator. Check pressure at the pressure test point, which is located on the side of the gas control near the pilot outlet. Make sure that the pressure tap is completely closed after checking gas pressure. The pressure should be checked with the appliance burning and the control set on high.

IMPORTANT: Loosen the pipe adapter on the flex tube before installing to the system piping.

CHECK GAS TYPE: The gas supply must be the same as stated on the heater's rating plate. If the gas supply is different, Do Not Install the heater. Contact your dealer for the correct model.

For the state of Massachusetts a **T-handle gas shut-off valve** must be used on a gas appliance. This T-handle gas shut-off valve must be listed and approved by the state of Massachusetts. This is in reference to the state of Massachusetts state code CMR238.

CAUTION

All gas piping and connections must be tested for leaks after installation is completed. To test, turn gas valve on, then apply a soap and water solution to all connections and joints. If bubbles appear, leak can be detected and corrected. **Never use an open flame for leak testing. Never operate any appliance if a leak is detected!**

CAUTION

Any safety screen or guard removed for servicing an appliance must be replaced prior to operating the heater.

NOTICE

A qualified gas appliance installer must connect the fireplace to the gas supply. Consult all local codes.

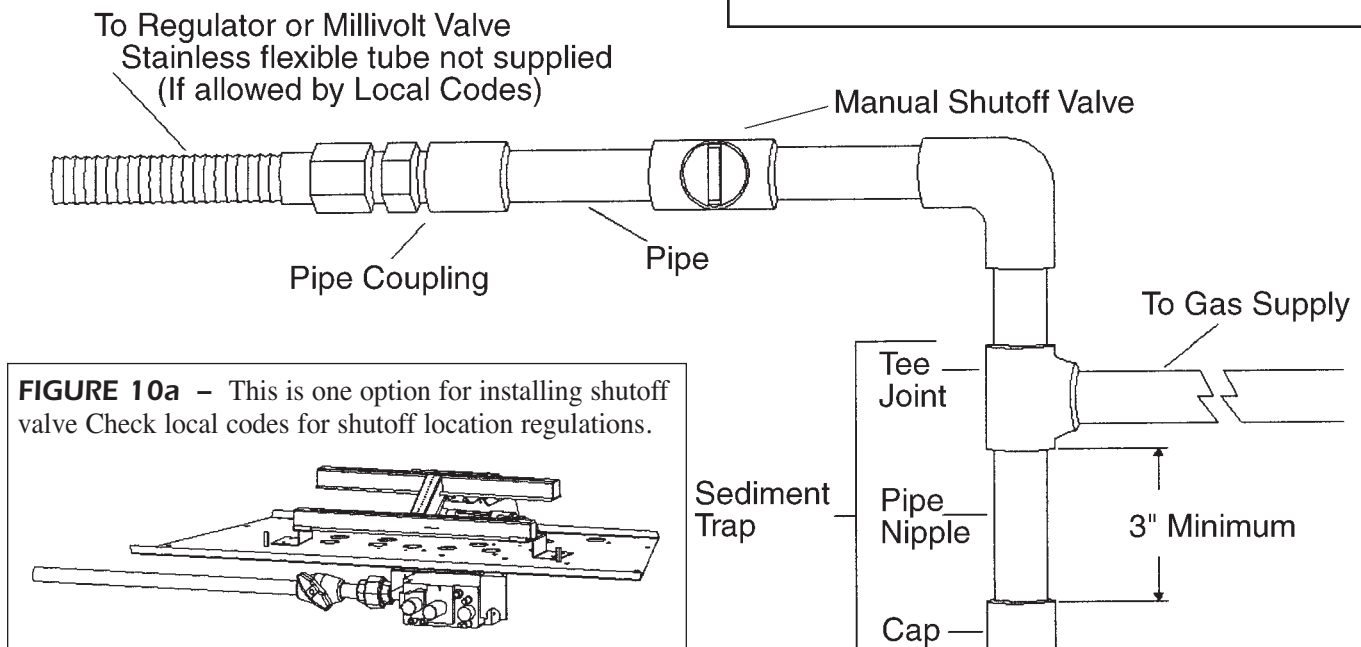


FIGURE 10a – This is one option for installing shutoff valve. Check local codes for shutoff location regulations.

FIGURE 10, 10a – Installing gas line and manual shutoff valve

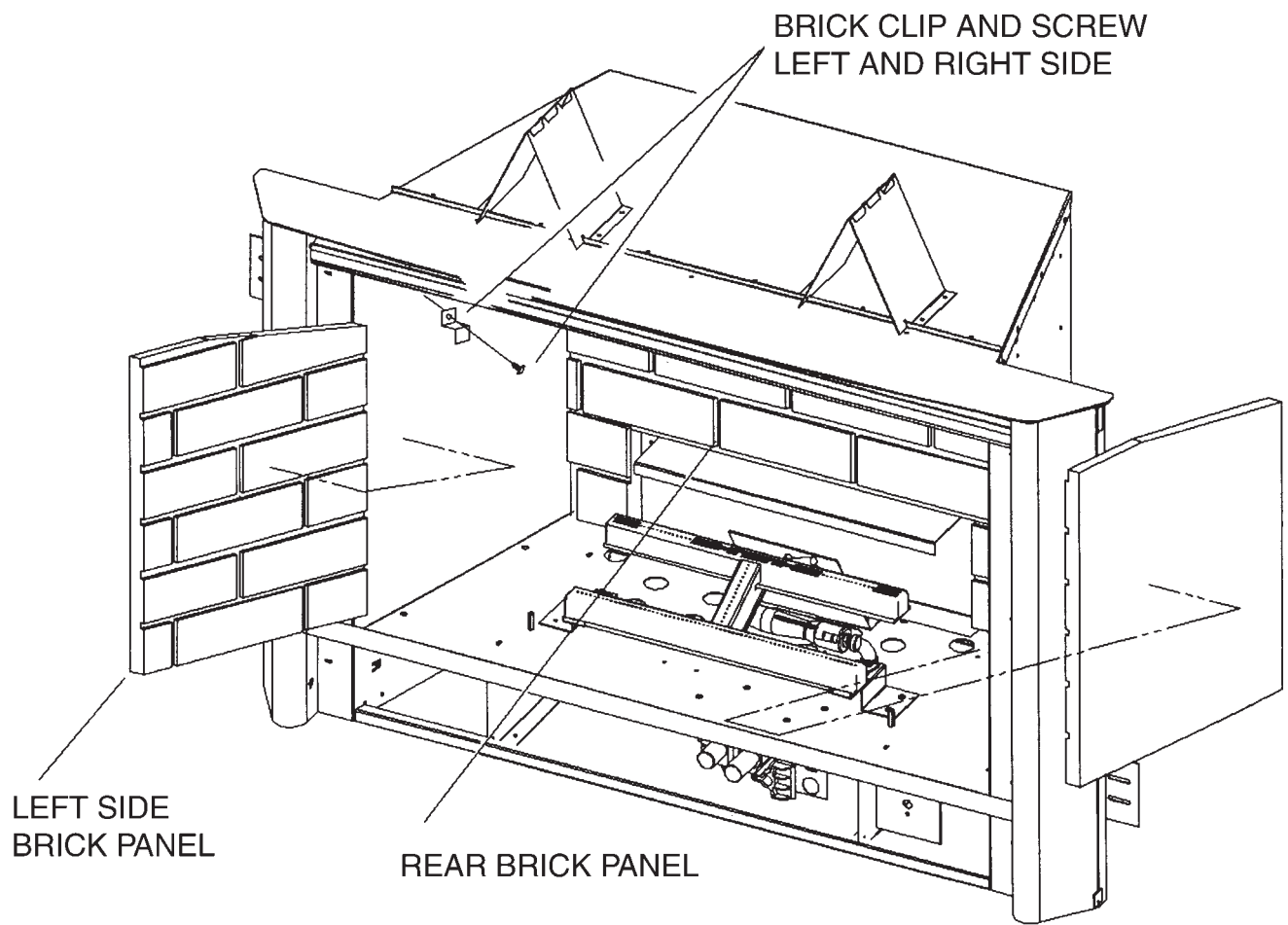


FIGURE 13 – Installing Brick Panels

MILLIVOLT LIGHTING INSTRUCTIONS

FOR YOUR SAFETY READ BEFORE LIGHTING

WARNING: If you do not follow these instructions exactly, a fire or explosion may result causing property damage, personal injury or loss of life.

BEFORE LIGHTING

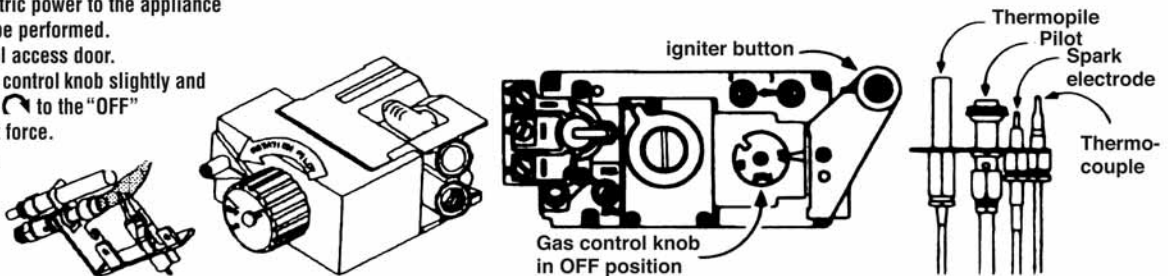
- A** This appliance has a pilot which must be lighted by hand. When lighting the pilot, follow these instructions exactly.
- B** Smell all around the appliance area for gas. Be sure to smell next to the floor because some gas is heavier than air and will settle on the floor.
- WHAT TO DO IF YOU SMELL GAS**
- Do not try to light an appliance.
 - Do not touch any electrical switch; do not use any phone in your building.
 - Immediately call your gas supplier from a neighbour's phone. Follow the gas supplier's instructions.
- If you cannot reach your gas supplier, call the fire department.
- C** Use only your hand to push or turn the gas control knob. Never use tools. If the knob will not push in or turn by hand, don't try to repair it, call a qualified technician. Force or attempted repair may result in a fire or explosion.
- D** Do not use this appliance if any part has been under water. Immediately call a qualified service technician to inspect the appliance and to replace any part of the control system which has been under water.

LIGHTING INSTRUCTIONS

1. Stop! Read the safety information above on this label.
2. Set the thermostat to lowest setting.
3. Turn off all electrical power to the appliance.
4. Locate valve under the burner assembly.
5. If the control knob is not already in the off position, ie. the word "OFF" in the 1 o'clock position, then push in the gas control knob slightly and turn clockwise to "OFF".
NOTE: Knob cannot be turned from "PILOT" to "OFF" unless knob is pushed in slightly. Do not use force.
6. Wait five (5) minutes to clear out any gas. If you then smell gas. STOP! Follow "B" in the safety information above on this label. If you don't smell gas then go to the next step.
7. Now push in the control knob slightly and turn counter-clockwise to the "PILOT" position.
8. Push in the control knob all the way and hold it. With the other hand push in the red igniter button until you hear a click. Now observe closely the pilot burner located on the rear center-left hand side of the main burner. If a flame has appeared then continue to depress the control knob for 20 seconds. If the flame did not appear then continue to depress the red igniter button every 5 seconds until a flame is established. NOTE: If after 30 seconds a flame has not yet been established then turn the control knob back to the off position and repeat steps 5, 6 & 7.
9. Once the pilot has been established hold the control knob in the depressed position for approximately 25 seconds before releasing. If the flame goes out then repeat steps 7 and 8.
10. Now turn the control knob to the "ON" position. The burner will not light unless the wall switch thermostat or remote control is turned "ON" or in the case of the thermostat there is a call for heat.
11. Close the access door and turn all electric power back to the appliance.

TO TURN OFF THE APPLIANCE

1. Set the thermostat to lowest setting.
2. Turn off all electric power to the appliance if service is to be performed.
3. Open the control access door.
4. Push in the gas control knob slightly and turn clockwise to the "OFF" position. Do not force.
5. Replace control access panel.



CAUTION

Do not wire 120 Volt power to Millivolt switches or thermostats.

CLEANING AND SERVICING OF BURNER/ODS PILOT

It is recommended to annually inspect and clean the unit to prevent malfunction and / or sooting. This operation should be performed by your dealer or a qualified technician.

Remove log set, handling carefully by holding gently at each end. (Refer to *Log Placement*, page 20.) Gloves are recommended to prevent skin irritation from ceramic.

Annual Cleaning / Inspection

- Do not use cleaning fluids to clean logs or any part of the heater.
- Use a soft bristle brush or a vacuum with brush attachment.
- Vacuum loose particles and dust from burner ports, valve and blower compartments.
- Vacuum any accumulation of lint from primary mixing tube.
- Inspect ODS pilot for operation, accumulation of lint at the air inlet holes.
- Verify flame pattern and log placement for proper operation.
- Verify that all ports ignite and cross over smoothly from rear to front burner.



WARNING

Turn off heater and allow to cool before cleaning. Only a qualified service technician should service and repair appliance.

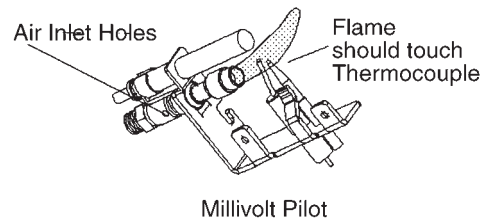


FIGURE 11 – Millivolt Pilot Flames

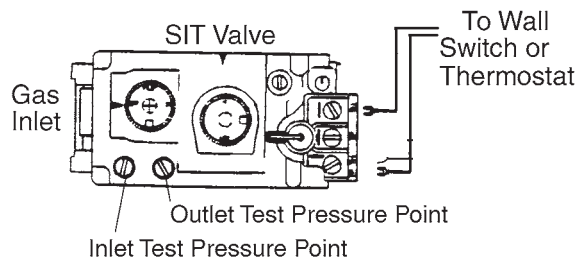


FIGURE 12 – Millivolt Models

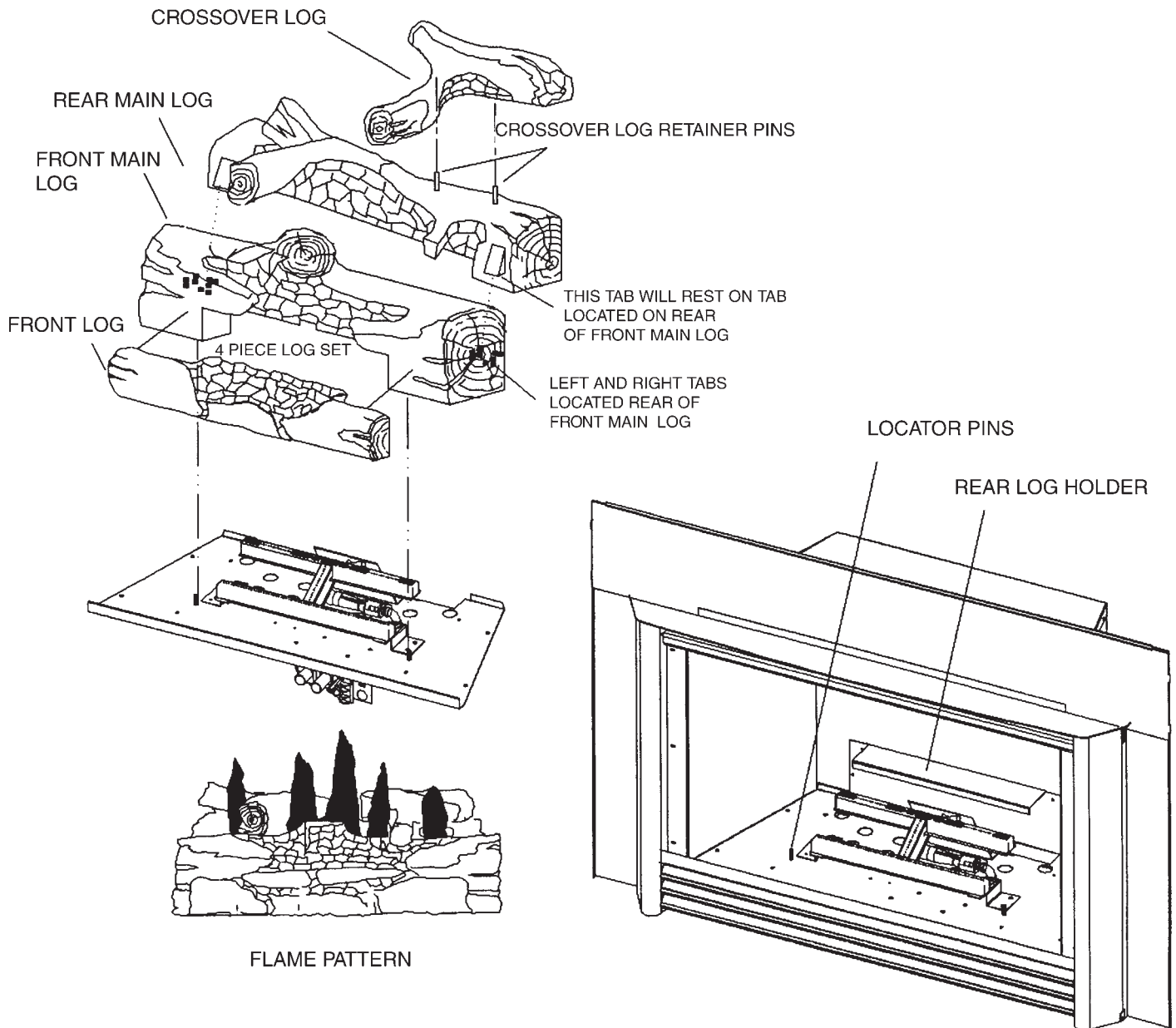
LOG PLACEMENT FOR LOGF24

LOG24 Placement

1. Place main log on retainer pins located on Firebox bottom.
2. Place rear main log onto rear log holder making sure log is not sitting on rear burner tube.
3. Place crossover log on retainer pins located on top of rear main log.
4. Front log, position flat surface up to main log.

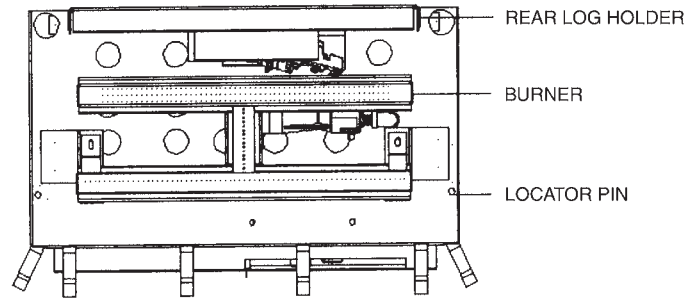
WARNING

The positioning of the logs is critical for safe and clean operation of this heater. Sooting and other problems can occur if the logs are not properly and firmly positioned in the heater. Never add additional logs or embellishments such as pine cones, vermiculite, volcanic rock or rock wool to the heater.



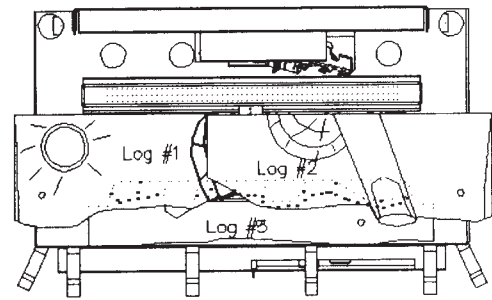
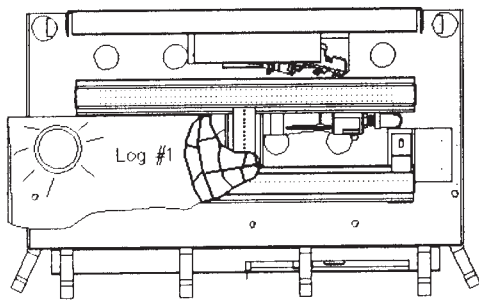
Log Placement for LOGF18

LOGF18 LOG SET PLACEMENT



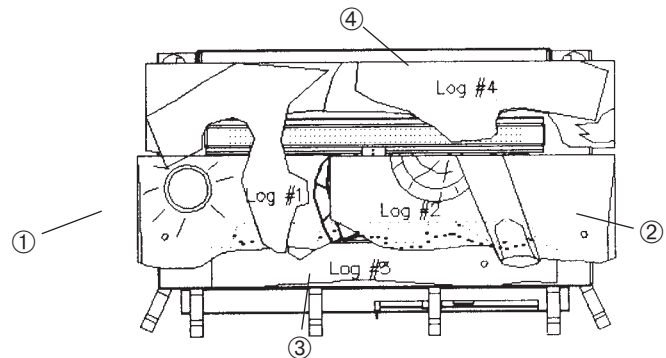
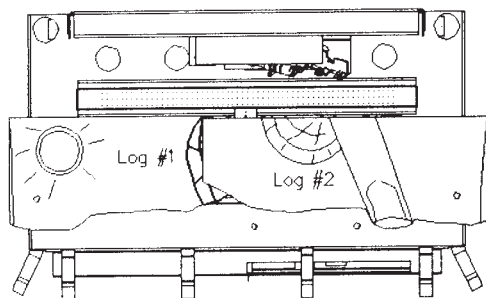
STEP 1 Locate hole on underside of log and place log over burner and Locator Pin and lower into position.

STEP 3 Place flat surface of bottom of log onto burner assembly base and push log up to logs 1 and 2



STEP 2 Locate hole on underside of log and place log over burner and Locator Pin and lower into position.

STEP 4 Position log #4 onto rear log holder and pull up to logs 1 and 2.



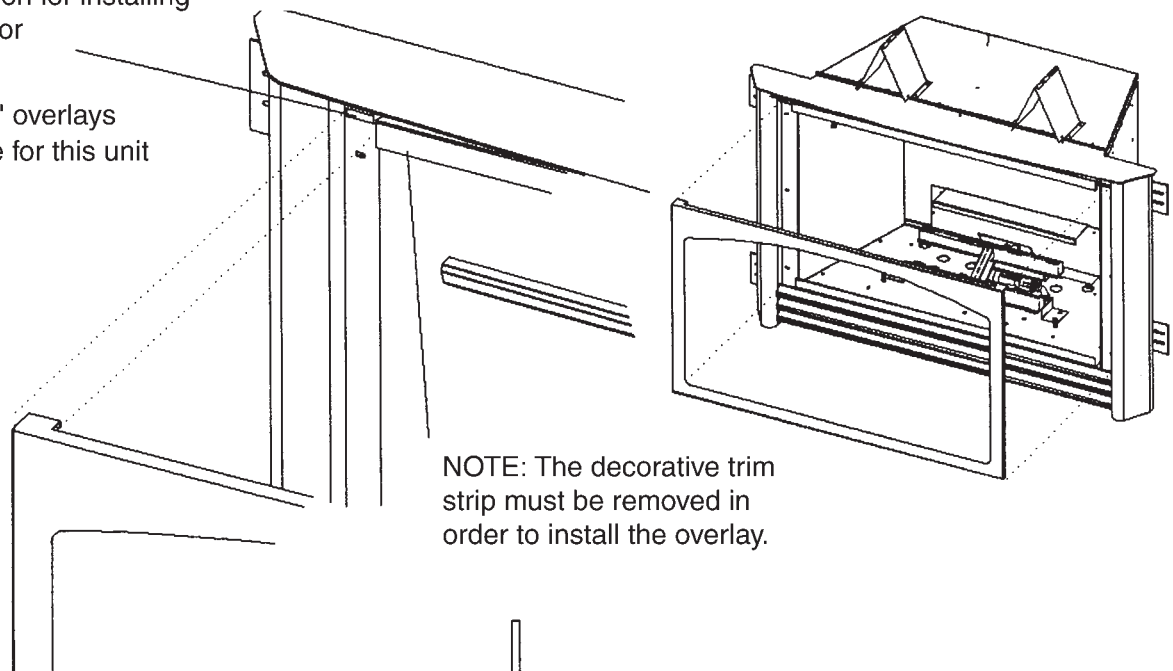
Kingsman Replacement Log Listing

Reference Number	Part Number	Description
1	18F-C	Left hand Main Log C, LOGF18
2	18F-D	Right hand Main Log D, LOGF18
3	18F-B	Front Log B, LOGF18
4	18F-A	Rear Log A, LOGF18

OPTIONS, BRASS TRIMS & OVERLAYS

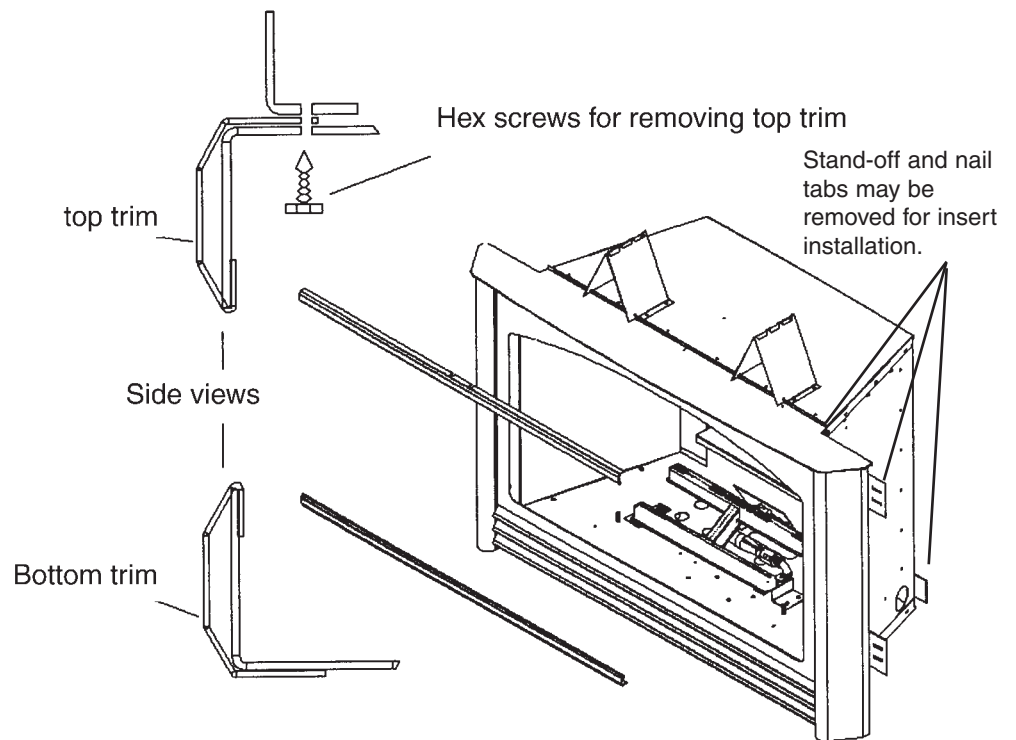
Slot Location for installing overlay_door

Most 36" overlays available for this unit



NOTE: The decorative trim strip must be removed in order to install the overlay.

Door Trims Part #
I36DTPB
I36DTAB
I36DTCR



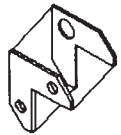
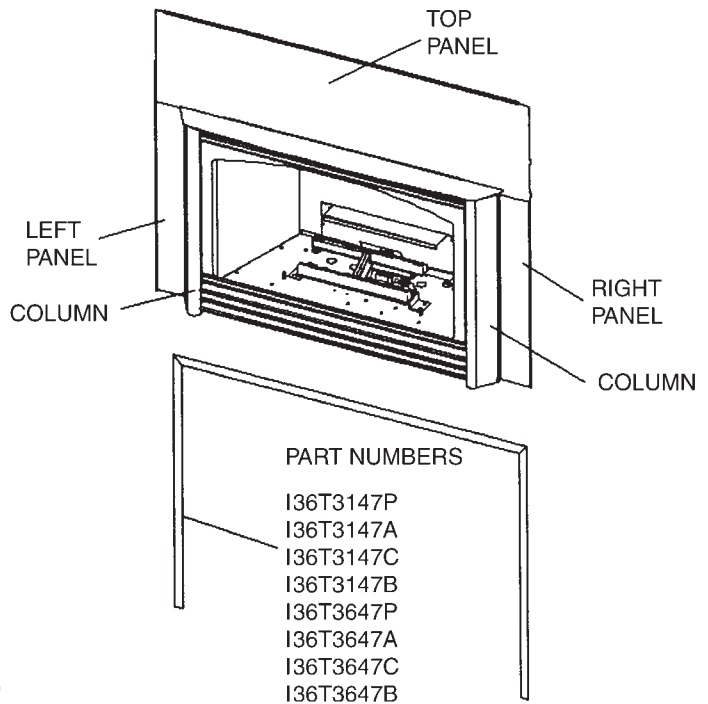
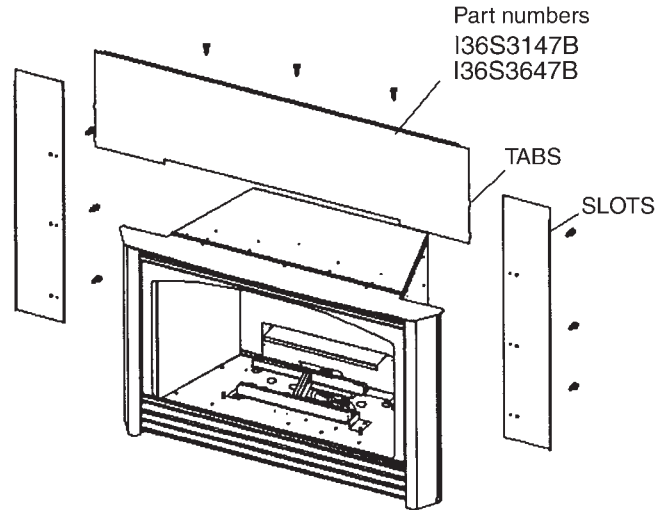
1. Loosen the 2 hex screws that hold the top trim in place.
2. Twist the top trim down and then pull outward. This should unhook the trim.
3. The bottom trim needs to be removed the same way but there are no screws to remove.
4. The overlay is placed in by inserting the 2 tabs into the rectangle slots as shown in the diagram above.
5. Once in place, the bottom of the overlay clips onto the bottom of the burner assembly and is held in place with two magnets.

IVF36 INSERT SURROUND INSTALLATION

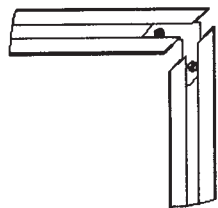
INSTALLING OPTIONAL SURROUND PANELS:

NOTE: Before installing panel kit, remove all stand-offs and nailing tabs as shown (if necessary).

1. Position the 3 holes in the top panel with the 3 holes on the unit top and tighten panel to the unit.
2. Locate the 2 slots on the left & right panels and slide onto the 2 tabs of the top panel. Position the 3 holes on the panels with the 3 holes on the rear of the column and with the screws provided tighten panel to the unit.
3. Assemble the slimline surround as follows.
Place 2 part (L) bracket into 45 degree cut ends of long top surround, attach shorter surround piece then tighten screws as shown in DETAIL A.
4. Remove the protective cover off the double back top at the bottom of left & right legs of surround. Clip the fully assembled slimline surround over the top edge of the large surround and allow the legs of the slimline surround to seat in the bend of the large surround sides. The tape will secure the lower legs to the surround.

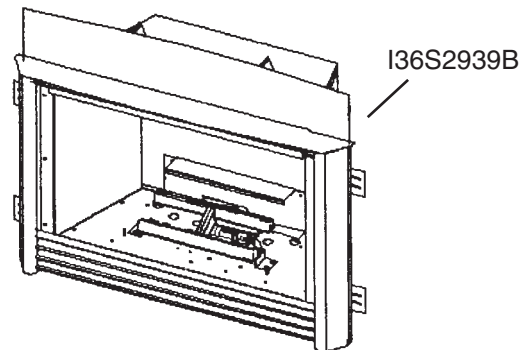
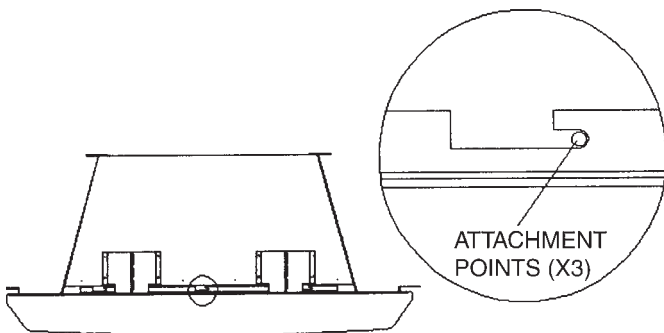


(L) Bracket and backing



To install I36S2939B

Install 3 ea self threading 1/4" Hex screws into the top of the fireplace in the holes provided. Set the depth of screw so the surround is snug to the top of the insert. Simply slide top onto the screw and slide sideways to lock into position. If installed as an insert, tighten screw after it is locked into place. Insert can then be slid into position.



FAN KIT SERVICING AND REPLACEMENT

It is important to clean fan yearly from lint and dust build-up. This will prolong the life of your fan. Before working on an electrical fan, ensure that appliance is unplugged.

1. Remove the logs from the unit. Handle logs with care as they become brittle after use.
2. Unplug 110 Volt power from fan kit. Remove the 8 1/4" hex screws as shown in Figure 1 of rear log support.
- 3a. **For fan servicing** - reverse vacuum and blow lint or dirt build-up from fan blades and motor.
- 3b. **For fan replacement** - Remove the 3 1/4" hex screws, lift fan slightly and remove wires. Replace fan bracket to new fan and attach wires to new fan. Make sure wire terminals are bent in the downward position. This will allow for easier installation. Replace the fan kit into its original position. Plug fan kit in and check before replacing rear log support.
4. Replace rear log support. It is important to reseal with a high heat silicon sealant (part # 1000-150GE). If not sealed properly, the fan will affect combustion and cause an improper burn.
5. Replace logs as per the log placement diagram found in the installation manual.

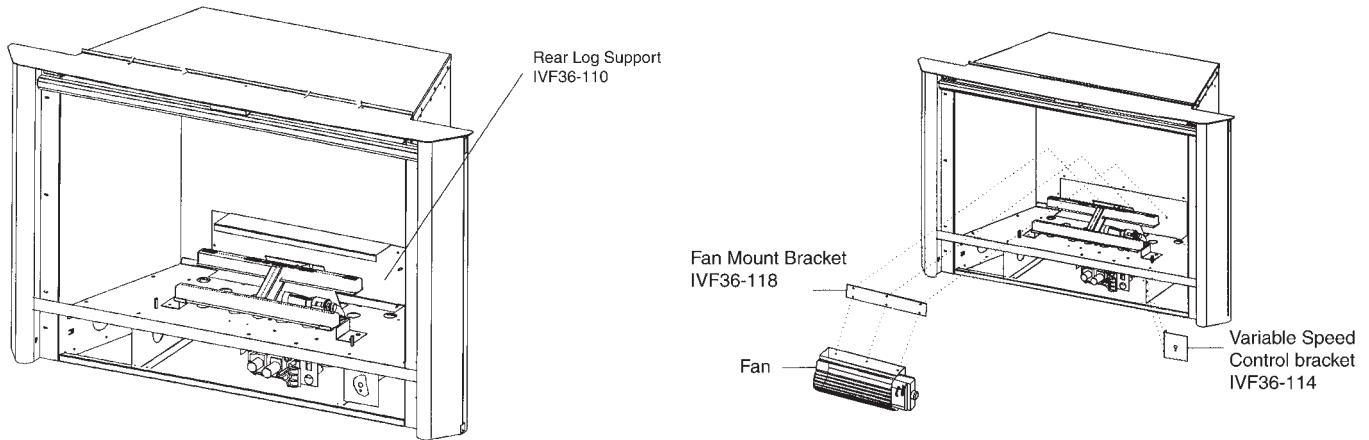
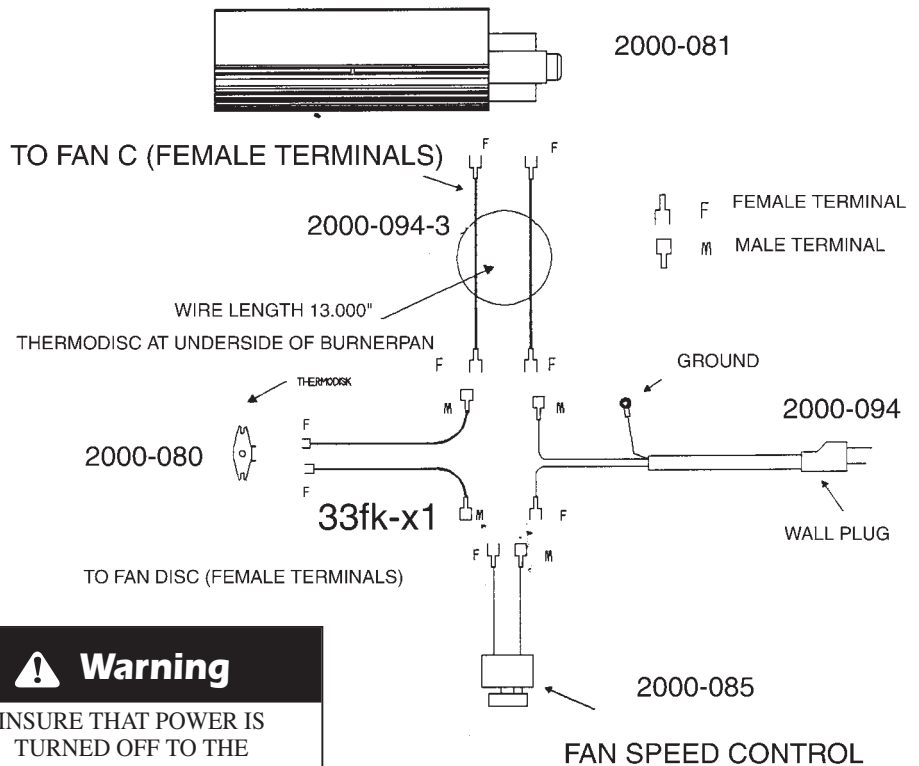


Figure 1

REPLACEMENT OF SPEED CONTROL FOR FAN KIT

1. Unplug 110 volt power from fan kit.
2. Remove the 2 1/4" hex screws and remove speed control from bracket and wiring harness.
3. Replace the speed control and reattach to wiring harness.
4. Reattach bracket with newly wired speed control to original position. Plug fan kit in and test unit.

IVF36 INSERT WIRING HARNESS



Caution

Label all wires prior to disconnection when servicing controls. Wiring errors can cause improper and dangerous operation. Verify proper operation after servicing.



Warning

INSURE THAT POWER IS TURNED OFF TO THE FIREPLACE BEFORE SERVICING.

ILLUSTRATED PARTS LIST

No.	QTY	PART NO.	DESCRIPTION	GUAGE
1	1	IVF36-107	Burner Pan	20 GA S.C.
2	1	33VF-110	Burner Stand Brkt	20 GA S.C.
3	1	33VF-110L	Burner Stand Brkt	20 GA S.C.
4	1	33VF-106	Pilot Bracket	20 GA S.C.
5	1	8414	ODS-MIL-N	
5	1	8404	ODS-MIL-LP	
6	1	4200-210	Front Burner	18 GA S.C.
7	1	4200-211	Burner Crossover	18 GA S.C.
8	1	4200-212	Crossover Bottom	18 GA S.C.
9	1	33VF-211	Back Burner	18 GA S.C.
10	2	5000-215	Burner Bottom	18 GA S.C.
11	1	1001-281	Mixing Sleeve	
12	1		Air Shutter	
13	2	4200-132	Burner Hold Down	14 GA S.C.
14	1	1000-255	Orifice	
15	1	1000-253	750x125 Nipple	
16	1	2000-213	Elbow125	
17	2		750 Log Pin	
18	1	33VF-113	Pilot Shield	20 GA S.C.
19	1	6000-112	Valve Bracket	20 GA S.C.
20	1	33VF-P636SI	Novasit-820	
20	1	33VF-P637SI	Novasit-820	
23	1	1000-245	375 90 STREET	
24	1	1000-P202VE	375-125 BUSHING	
26	1	1000-P200VE	2.5 Nipple	
28	1	3000-923	125 90 STREET	
29	1	33VF-P316VE	AIR TUBING	.187 TUBING
30	1	33VF-P683VE	CONNECTOR	.187
31	1	33VF-P603VE	COMPRESSION SLEEVE	.187
32	1	33VF-P613VE	COMPRESSION NUT	.187
33	1	33VF-P245M	NAT. GAS REGULATOR	

PART # 36IVFB-MVN Burner Assy - NG
PART # 36IVFB-MVP Burner Assy - LP

NATURAL GAS

#35 BRASS CAP ORIFICE
 BTU Inpit - 22,000 to 32,000
 Min/Max Inlet - 5.5/10"
 Manifold Pressure - 1.6 to 3.5"
 Orifice Size - 35

SET PRIMARY AIR .218"

NATURAL GAS

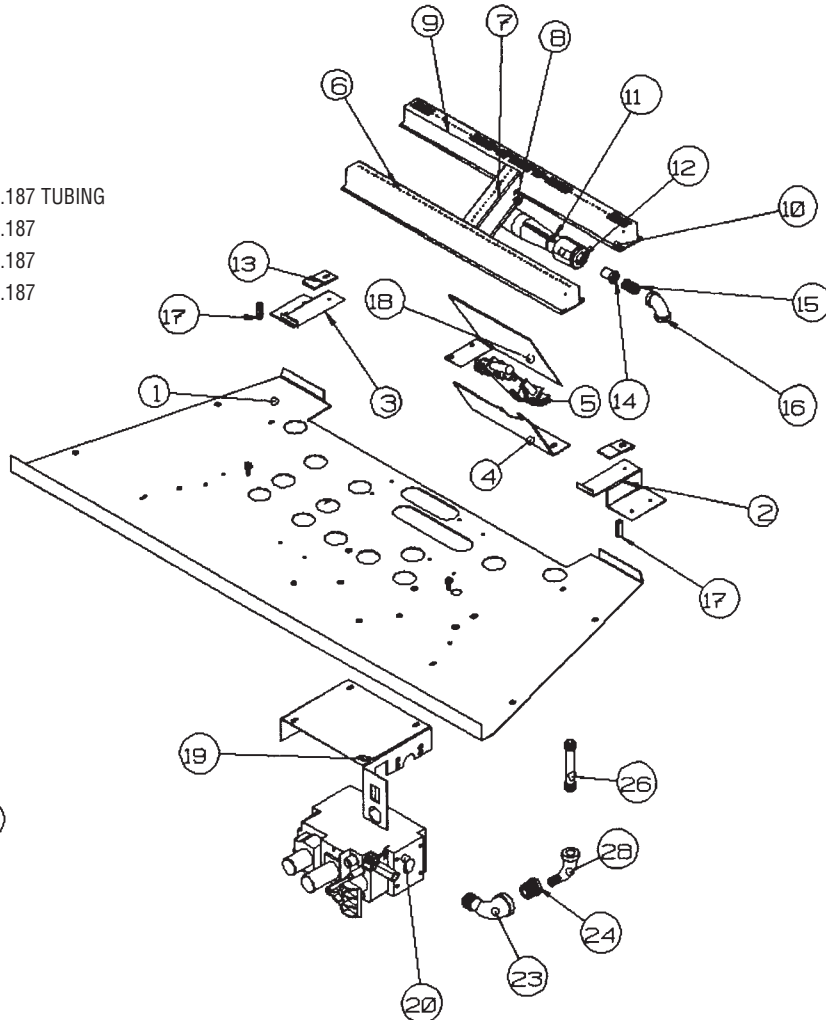
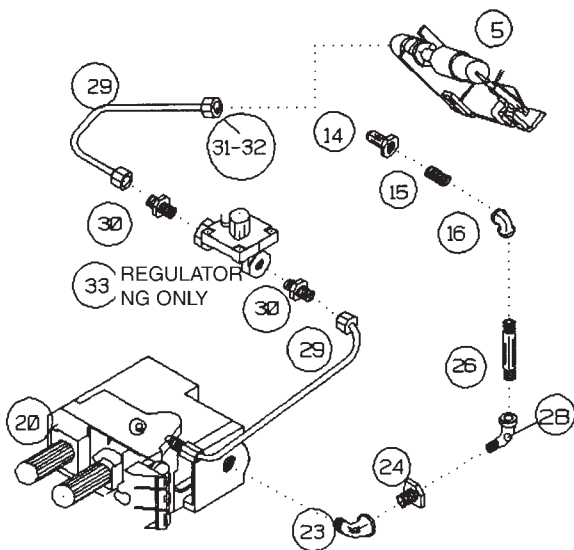
PROPANE

#51 BRASS CAP ORIFICE
 BTU Inpit - 22,000 to 33,000
 Min/Max Inlet - 11/13"
 Manifold Pressure - 6.3 to 10"
 Orifice Size - 51

SET PRIMARY FULL OPEN

PROPANE

Natural Gas Regulated Pilot



TROUBLESHOOTING

WARNING

NOTE: all troubleshooting items are listed in order of operation.

Turn off and let cool before servicing. Only a qualified service person should service and repair heater.

When ignitor button is pressed, there is no spark at ODS/Pilot.

Possible Cause

1. Ignitor electrode positioned wrong.
2. Ignitor electrode is broken.
3. Ignitor electrode not connected to ignitor cable.
4. Ignitor cable pinched or wet.
5. Piezo-ignitor nut is loose.
6. Broken ignitor cable.
7. Bad piezo-ignitor.

Remedy

1. Replace ignitor.
2. Replace ignitor.
3. Reconnect ignitor cable.
4. Free ignitor cable if pinched by any metal or tubing. Keep ignitor cable dry.
5. Tighten nut.
6. Replace ignitor cable.
7. Replace piezo-ignitor.

Appliance produces unwanted odors.

Possible Cause

1. Appliance burning vapors from paint, hair spray, glues, etc.
2. Gas leak.

Remedy

1. Ventilate room. Stop using odor-causing products while heater is running
2. Locate and correct all leaks.

Appliance shuts off in use.

Possible Cause

1. Not enough fresh air is available for ODS/pilot to operate.
2. Low line pressure.
3. ODS/pilot is partially clogged.

Remedy

1. Open window and/or door ventilation.
2. Contact local gas company.
3. Clean ODS/pilot.

Gas odor even when control knob is in OFF position.

Possible Cause

1. Gas leak.
2. Control valve defective.

Remedy

1. Locate and correct all leaks.
2. Replace control valve.

When ignitor button is pressed, there is a spark at ODS/pilot, but no ignition.

Possible Cause

1. Gas supply turned off or manual shutoff valve closed.
2. Control knob not in PILOT position.
3. Control knob not pressed in while in PILOT position.
4. Air in gas lines when installed.
5. ODS/pilot is clogged.
6. Gas regulator setting is not correct.

Remedy

1. Turn on gas supply or open manual shutoff valve.
2. Turn control knob while in PILOT position.
3. Press control knob in while in PILOT position.
4. Continue holding down control knob. Repeat igniting operation until air is removed.
5. Replace ODS/pilot assembly or get it serviced.
6. Replace gas regulator.

ODS/pilot lights, but flame goes out when control knob is released.

Possible Cause

1. Control knob not fully pressed in.
2. Control knob not pressed in long enough.
3. Manual shutoff valve not fully open.
4. Thermocouple connection loose at valve.

Remedy

1. Press control knob in fully.
2. After ODS/pilot lights, keep control knob pressed in for 30 seconds.
3. Fully open manual shutoff valve.
4. Hand tighten until snug, then tighten ¼ turn more.

TROUBLESHOOTING Cont.

5. Pilot flame not touching thermocouple, which allows thermocouple to cool, causing pilot flame to go out. Problem could be caused by one or both of the following:
 - A) Low gas pressure
 - B) Dirty or partially clogged ODS/pilot.
6. Thermocouple damaged.
7. Control valve damaged.
5. Contact local gas company.
6. Replace thermocouple
7. Replace control valve.

One or both burners do not light after ODS/pilot is lit.

Possible Cause

1. Burner orifice is clogged.
2. Inlet pressure is too low.

Remedy

1. Clean burner or replace light burner orifice.
2. Contact qualified service person.

Delayed ignition of burner.

Possible Cause

1. Manifold pressure is too low.
2. Burner orifice is clogged.

Remedy

1. Contact local gas company.
2. Clean burner or replace burner orifice.

Burner backfiring during combustion.

Possible Cause

1. Burner orifice is clogged or damaged.
2. Burner is damaged.
3. Gas regulator is defective.

Remedy

1. Clean burner or replace burner orifice.
2. Replace burner.
3. Replace Gas regulator.

Slight smoke or odor during initial operation.

Possible Cause

1. Vapors from paint or curing process of logs.

Remedy

1. Problem will stop after a few hours of operation. Run the heater with the damper open if you have one or open a window for the first few hours.

Log appears to smoke (after initial operation).

Possible Cause

1. Vapors from paint or curing process of logs.

Remedy

1. Log heater is intended to be smokeless. Turn off heater and call qualified service person.

Heater produces a whistling noise when burner is lit.

Possible Cause

1. Turning control knob to HI position when burner is cold.
2. Air in gas line.
3. Dirty or partially clogged burner orifice.

Remedy

1. Turn control knob to LO position and let warm up for a minute
2. Operate burner until air is removed from line. Have gas line checked by local gas company.
3. Clean burner or replace burner orifice.

No Gas to pilot.

Possible Cause

1. LP regulator shut down due to inlet pressure being too high

Remedy

1. Verify LP tank regulator is installed and set at 11 to 13 inches w.c.
2. Replace LP regulator on heater.



LIMITED LIFETIME WARRANTY

This Limited Lifetime Warranty applies only while the unit remains at the site of the original installation and only if the unit is installed inside the continental United States, Alaska, Hawaii, and Canada. The warranty applies only if the unit is installed and operated in accordance with the printed instructions and in compliance with applicable installation and building codes and good trade practices.

BASIC ONE YEAR WARRANTY

During the first year after installation, we will provide a replacement for any component part of your unit found to be defective in materials or workmanship, including labour costs. Repair work requires prior approval by Kingsman, labour costs are based on a predetermined rate schedule and any repair work must be done through an authorized Kingsman dealer.

LIMITED LIFETIME WARRANTY

The heat exchanger, combustion chamber and burner of every Kingsman product excluding the Outdoor Firepit are warranted against materials or workmanship during the period the product is owned by the original owner. The part to be replaced must be returned to our distributor in exchange for the replacement part. Any labor, material, freight and/or handling charges associated with any repair or replacement pursuant to this Limited Lifetime Warranty will not be covered by this warranty.

GENERAL TERMS

In lieu of providing a replacement part, we may, at our option, provide the distributor's component purchase price from us or a credit equal to the distributors component purchase price from us toward the purchase of any new unit which we distribute. If a credit is given in lieu of a replacement part, the rating plate from the unit being replaced must be submitted on a warranty claim, and the unit being replaced must be made available to our distributor for disposition.

In establishing the date of installation for any purpose, including determination of the starting date for the term of this Limited Lifetime Warranty, reasonable proof of the original installation date must be presented*, otherwise the effective date will be based upon the date of manufacture plus thirty (30) days.

We will not be responsible for and you, the user, will pay for: (a) damages caused by accident, abuse, negligence, misuse, riot, fire, flood, or Acts of God (b) damages caused by operating the unit where there is a corrosive atmosphere containing chlorine, fluorine, or any other damaging chemicals (other than in a normal residential environment) (c) damages caused by any unauthorized alteration or repair of the unit affecting its stability or performance (d) damages caused by improper matching or application of the unit or the unit's components (e) damages caused by failing to provide proper maintenance and service to the unit (f) any expenses incurred for erecting, disconnecting or dismantling the unit (g) parts or supplies used in connection with service or maintenance (h) damage repairs, inoperation or inefficiency resulting from faulty installation or application (i) electricity or fuel costs or any increase in electricity or fuel cost whatsoever including additional or unusual use of supplemental electric heat.

We shall not be liable for any incidental, consequential, or special damages or expenses in connection with any use or failure of this unit. We have not made and do not make any representation or warranty of fitness for a particular use or purpose, and there is no implied condition of fitness for a particular use or purpose. We make no express warranties except as stated in this Limited Lifetime Warranty. No one is authorized to change this Limited Lifetime Warranty or to create for us any other obligation or liability in connections with this unit. Any implied warranties shall last for one year after the original installation. Some states and provinces do not allow the exclusion or limitation of incidental or consequential damages or do not allow limitations on how long an implied warranty or condition lasts, so the above limitations or exclusions may not apply to you. The provisions of this limited warranty are in additions to and not a modification of or subtraction from any statutory warranties and other rights and remedies provided by law.

Save this certificate. It gives you specific legal rights, and you may also have other rights which may vary from state to state and province to province.

In the event your unit needs servicing, contact your dealer or contractor who installed or serviced your unit. When requesting service, please have the model and serial number from each unit readily available. If your dealer needs assistance, the distributor is available for support and we, in turn support the distributor's efforts.

Fill in the installation date and model and serial numbers of the unit in the space provided below and retain this limited warranty for your files.

Model No. _____ **Serial No.** _____ **Date installed** _____

Dealer or Contractor Name: _____

*To receive advantage of your warranty, you must retain the original records that can establish the installation date of your unit.