

Installation Instructions

Listed Certified for USA. and Canada
Certified to: ANSI Z21.50-1996/CGA 2.22-M96, CAN/CGA 2.17-M91

Model MDV38 Series - MDVR38N, MDVR38LP, MDVL38N, MDVL38LP
Model MDV30 Series - MDVR30N, MDVR30LP, MDVL30N, MDVL30LP



“Multi-Sided Direct Vent” Decorative Gas Fireplace

**Read this complete manual before beginning installation.
These instructions must be kept with the unit for future reference.**

FOR YOUR SAFETY

Do not store or use gasoline or other flammable vapors and liquids in the vicinity of this or any other appliance.

What To Do If You Smell Gas

Do not try to light any appliance.
Extinguish any open flame.
Do not touch any electrical switch.
Do not use any phone in your building.
Immediately call your gas supplier from a neighbour's phone.
If you can not reach your gas supplier, call the fire department.



KINGSMAN INDUSTRIES

A Division of R-Co. Inc.
2340 Logan Avenue
Winnipeg, Manitoba, Canada R2R 2V3
Ph: (204) 632-1962

Printed in Canada 08/01/04 Part #3800-MAN

Warning: Improper installation, alteration, service or maintenance can cause property damage, personal injury or loss of life. Refer to this manual. Installation and service must be performed by a qualified installer, service agency or the gas supplier.

PRE-INSTALLATION QUESTIONS and ANSWERS

Why does my fireplace or stove give off odour?

It is normal for your fireplace to give off some odour. This is due to the curing of the paint, adhesives, silicones and any undetected oil from the manufacturing process as well as the finishing materials used with the installations (e.g. marble, tile and the adhesives used to adhere this product to the walls can react with heat and cause odours).

It is recommended that you burn your gas fireplace or stove for a minimum of four hours at a time with the fan off after the curing of the paint has been completed. These odours can last upward to 40 hours of burn time, keep burning at a minimum of four hours per use until odours dissipate.

About curing of the paint

Your stove or fireplace has been painted with the highest quality silicone stove paint. This paint dries quickly in 15-20 minutes when first applied at the factory. However, due to the high temperature silicone components, the paint will cure when heat is applied to the appliance as it is first used.

The following information **applies to the curing process** to get the paint fully hard and durable.

Fire the appliance four successive times for 10 minutes each firing and a 5 minute cool down between each. Be aware during log and firebox paint curing that a white deposit may be developing on the inside of the glass doors. It is important to remove this white deposit from the glass doors with an appropriate cleaner to prevent build-up (such as Windex or a commercial fireplace glass cleaner).

- Babies, small children, pregnant women and pets should leave the area during the cure phase.
- Ventilate well, open doors and windows.
- Do not touch during curing.

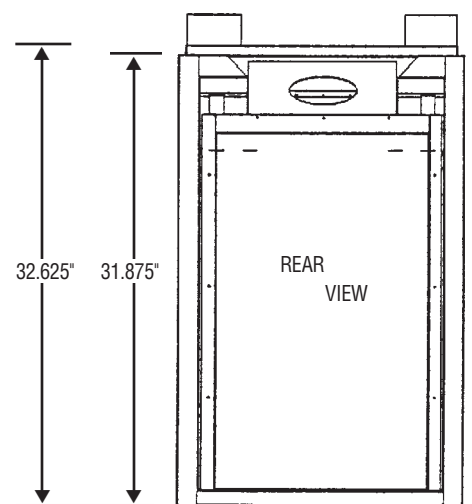
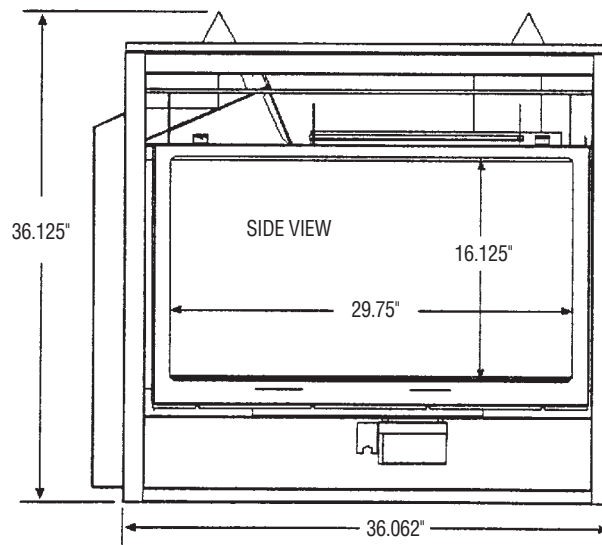
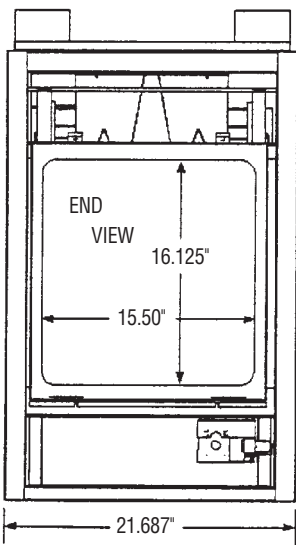
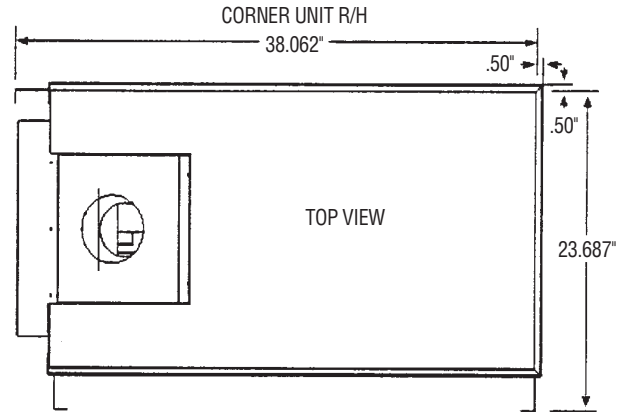
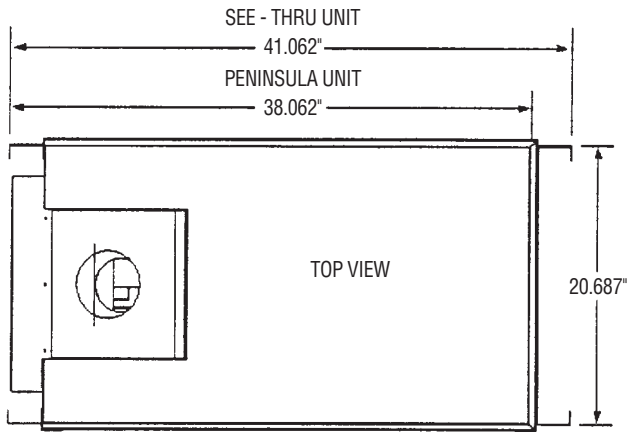
Noise coming from the fireplace?

- Noise caused by metal expanding and contracting as it heats up and cools down, similar to the sound produced by a furnace or heating duct. This noise does not affect the operation or longevity of your fireplace.

Table of Contents

Unit Dimensions	2
Locating Your Appliance	3
Corner Installations	4
See-Thru Installations	6
Peninsula Installations	8
Clearance to Combustibles	10
Low Profile Enclosures	11
Installation & Operation	12
Operation & Maintenance	12
Fan Kit Installation	13
Door and Grill Installation	14
Bay Window Instructions	15
Brick Panel Installation	16
Ember & Ash Bed Installation	16
Log Placement	17-18
Burner Replacement	20
Lighting Instructions	21
Gas Line Installation	22
Glass Information	22
Vent Termination	23
Horizontal Venting Routes	24
Vertical Venting	26
General Vent Installation	27
Replacement Parts	28-30
Parts Lists & Accessories	31-32
Trouble Shooting Guide	33
Warranty	34

UNIT DIMENSIONS:



LOCATING YOUR APPLIANCE

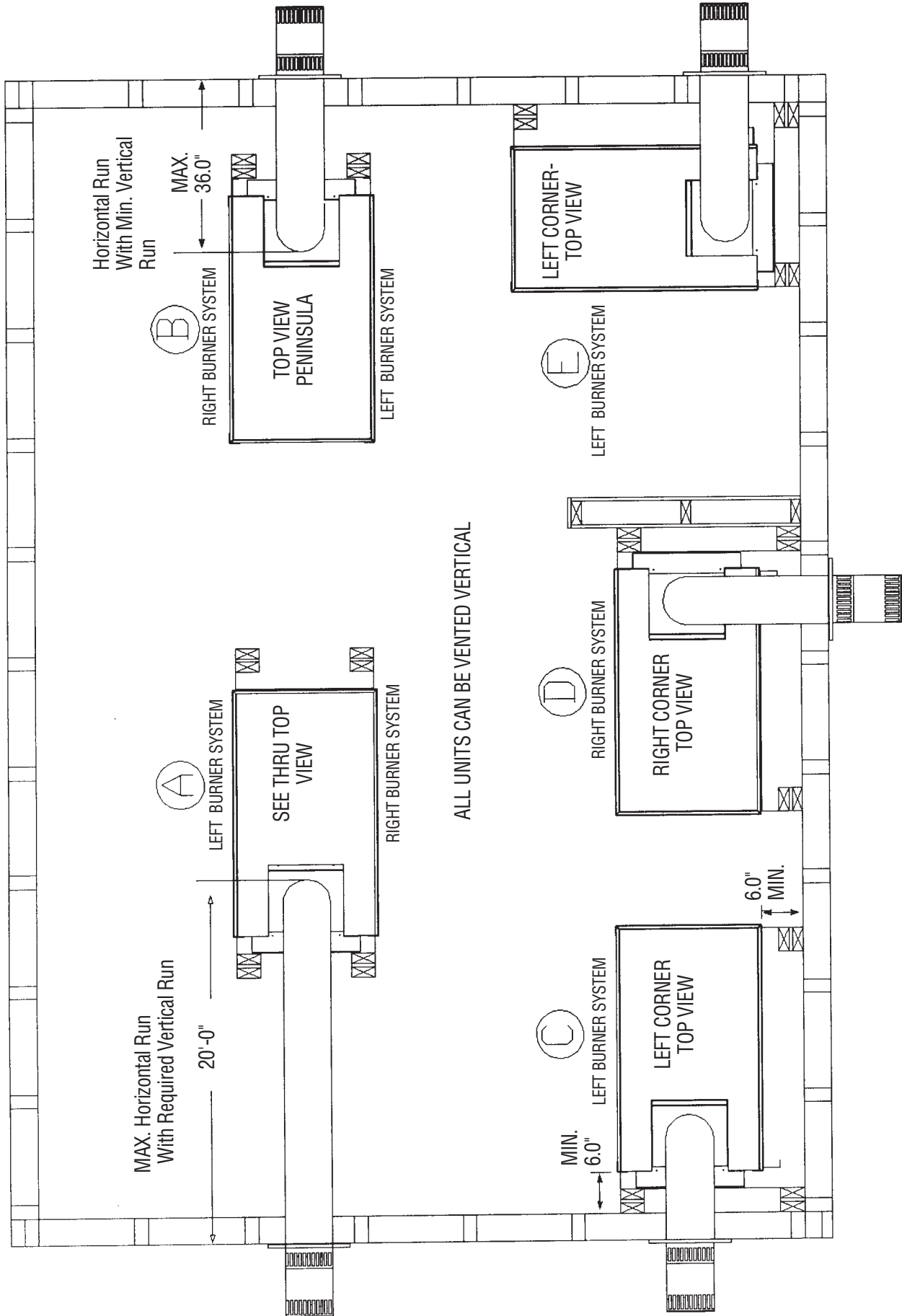
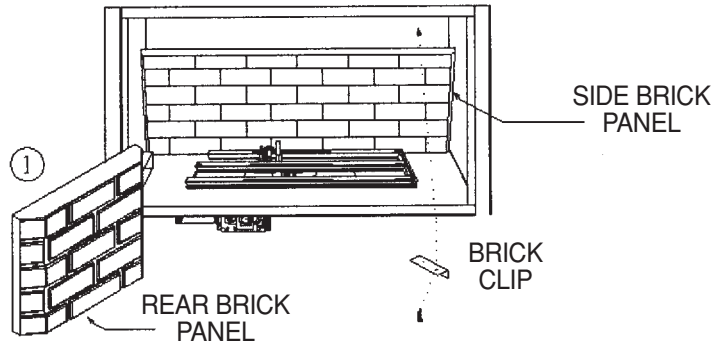


FIGURE 3

BRICK PANEL INSTALLATION

1. Insert side Brick panel into place, using Brick retaining clip position and screw to top of firebox.
2. Install rear Brick panel, brick retaining clip located at top.



NOTE!

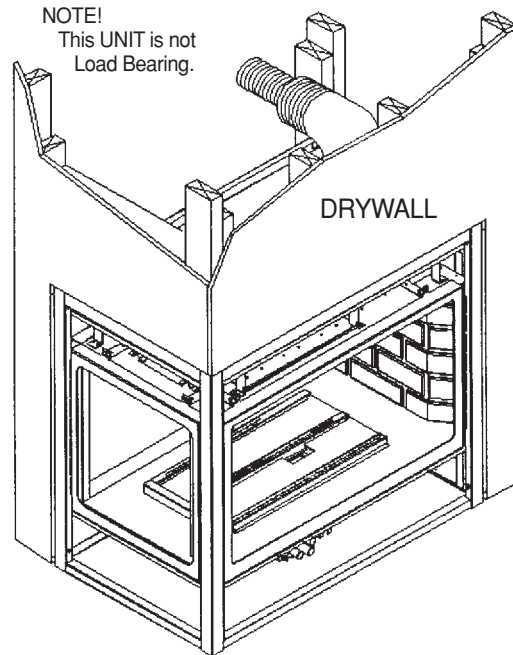
For Log, Crushed Rock and Glowing Ember installation refer to PAGE 16.

FACING MATERIAL INSTALLATION

Facing material. Example DRYWALL may be installed flush with top of Fireplace.

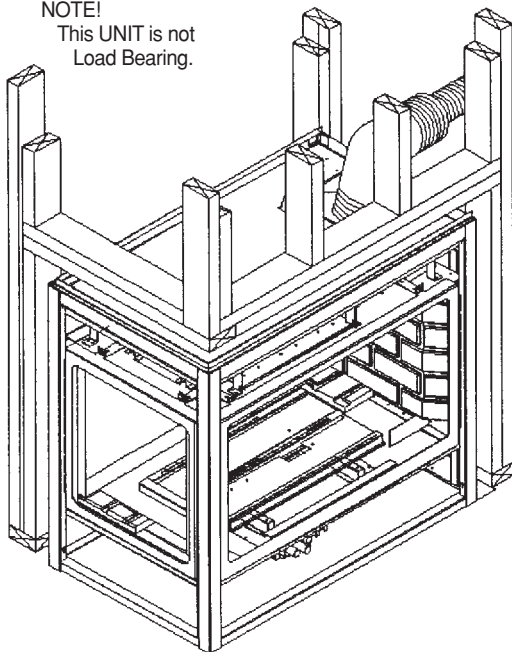
Side facing to be installed to standoffs only.

FIGURE 4



REAR FLUE INSTALLATION

NOTE!
This UNIT is not Load Bearing.



SIDE FLUE INSTALLATION

NOTE!
This UNIT is not Load Bearing.

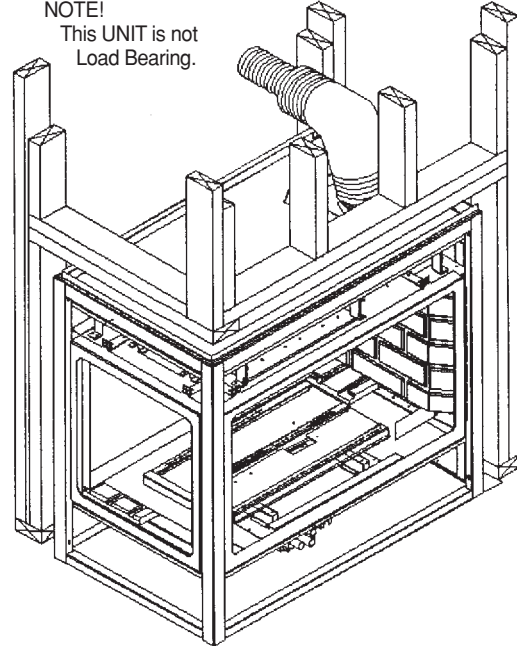


FIGURE 5

SEE - THRU INSTALLATION INSTRUCTIONS

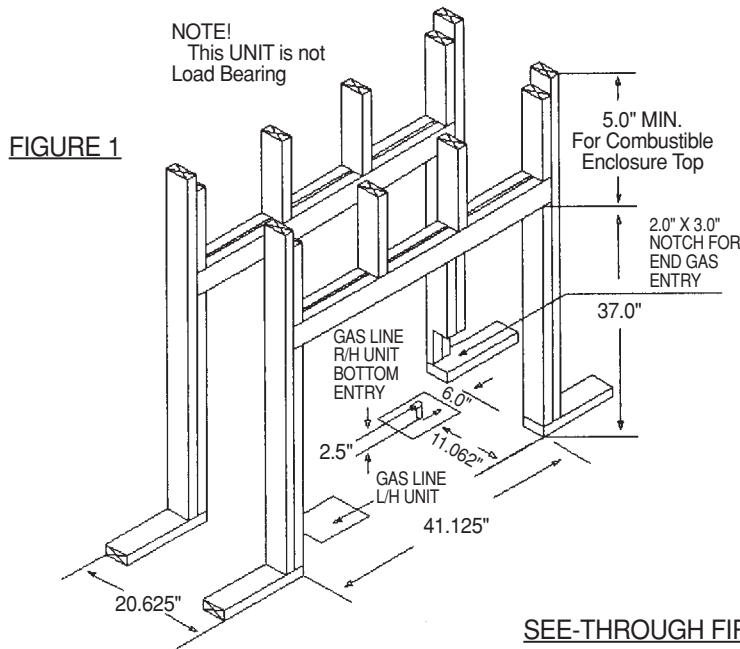
FRAMING

Using 2x4s frame to local building codes.
DO NOT install against a Vapour Barrier or Exposed Insulation.

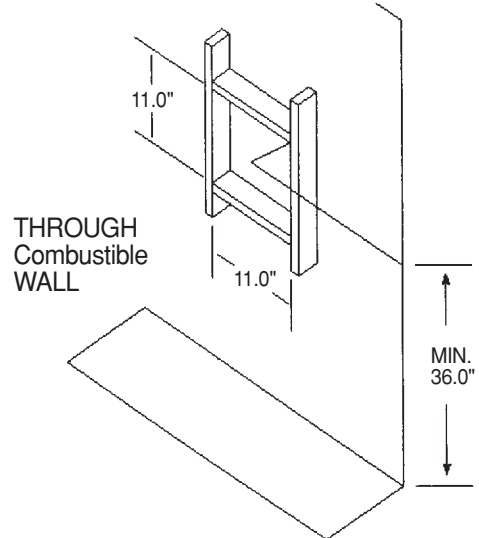
Framing measurements have been adjusted to accommodate a 1/2" thick finished wall. FIGURE 1
Combustible materials may be installed flush with top of standoffs and sides of fireplace.

It is not necessary to install a hearth with this fireplace system. Objects placed in front of the fireplace should be kept a minimum of 24" away from the front face.

Gas line installation should be performed only after Fireplace installation. Fireplace bottom supplies you with two 6"x8" rectangular holes. The use of these holes depends on valve and Fireplace location on riser or upper floor.



FRAMING DETAIL HORIZONTAL RUN WITH MIN. VERTICAL RUN



NOTE

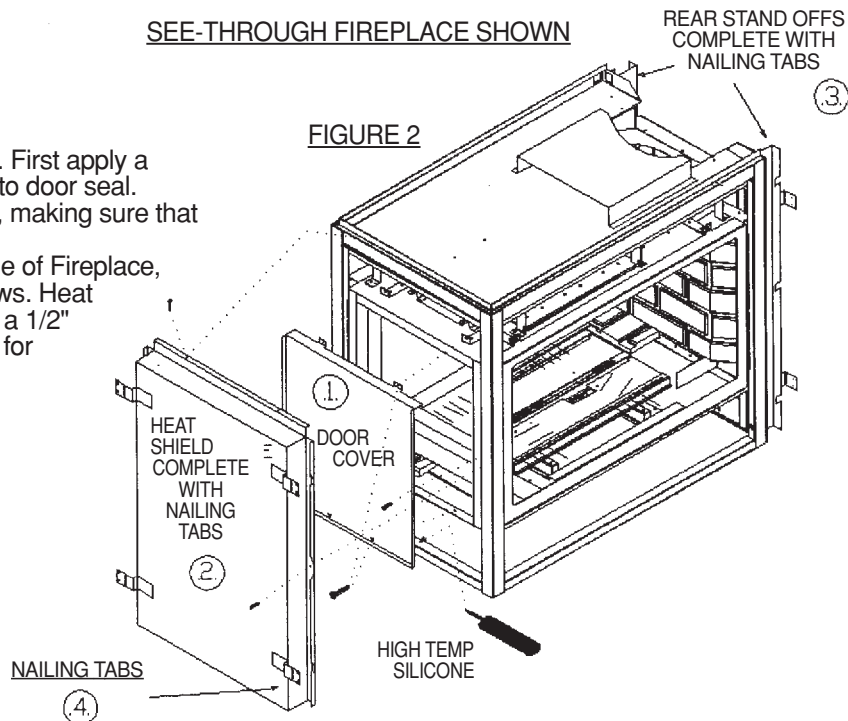
For Low Profile Enclosure Refer to Page #11 for installation instructions.

SEE-THROUGH FIREPLACE SHOWN

FIREPLACE ASSEMBLY

1. Mount Door Cover Figure #2. First apply a small bead of High Heat Silicone to door seal. Mount Door and screw into place, making sure that Door is properly sealed.
2. Hang Heat Shield on top edge of Fireplace, and secure with self tapping screws. Heat Shield must be centered allowing a 1/2" clearance both sides of Fireplace for finishing material.
3. The heat shield and rear standoff are equipped with nailing tabs. Level Fireplace and nail or screw into place.

NOTE: Clearance to back of unit and/or sides of unit framed into walls require 6" minimum clearance to combustibles. We recommend using two (2 x 4) studs placed against the wall as per framing diagrams. See Page 3 - Locating your Appliance, for additional information.

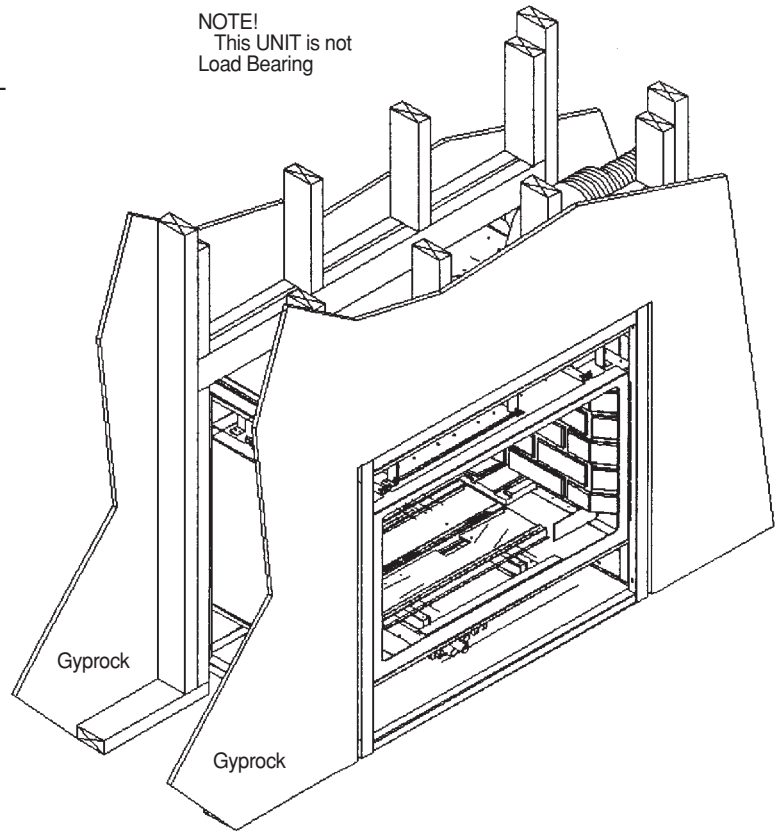


FACING MATERIAL INSTALLATION

Facing material. Example DRYWALL may be installed Flush with top of Fireplace.

Side facing to be installed to standoffs only.

NOTE!
This UNIT is not
Load Bearing



PENINSULA INSTALLATION INSTRUCTIONS

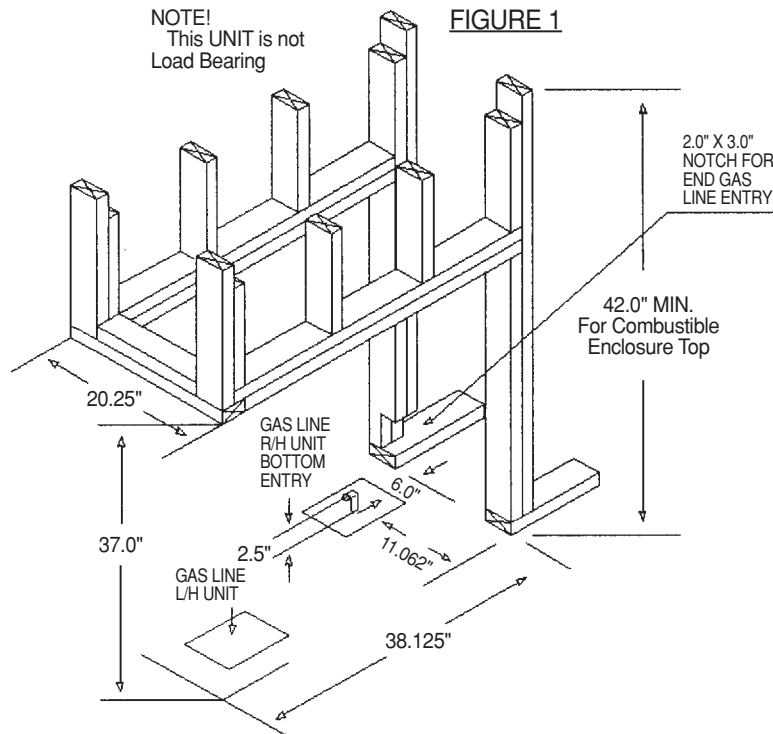
FRAMING

Using 2x4s frame to local building codes. DO NOT install against a Vapour Barrier or Exposed Insulation.

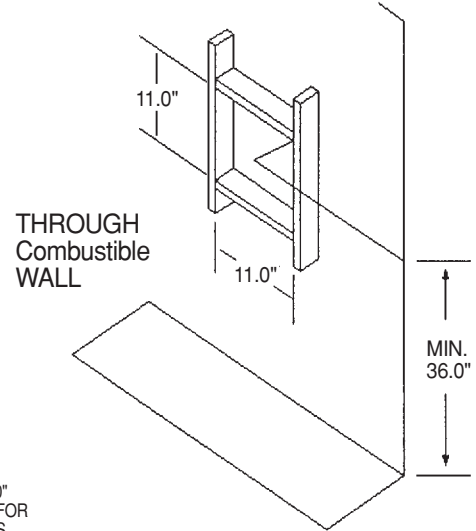
Framing measurements have been adjusted to accommodate a 1/2" thick finished wall. FIGURE 1
Combustible materials may be installed flush with top and sides of fireplace.

It is not necessary to install a hearth with this fireplace system. Objects placed in front of the fireplace should be kept a minimum of 24" away from the front face.

Gas line installation should be performed only after Fireplace installation. Fireplace bottom supplies you with two 6"x8" rectangular holes. The use of these holes depends on valve and Fireplace location on riser or upper floor.

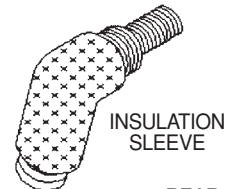


FRAMING DETAIL HORIZONTAL RUN WITH MIN. VERTICAL RUN

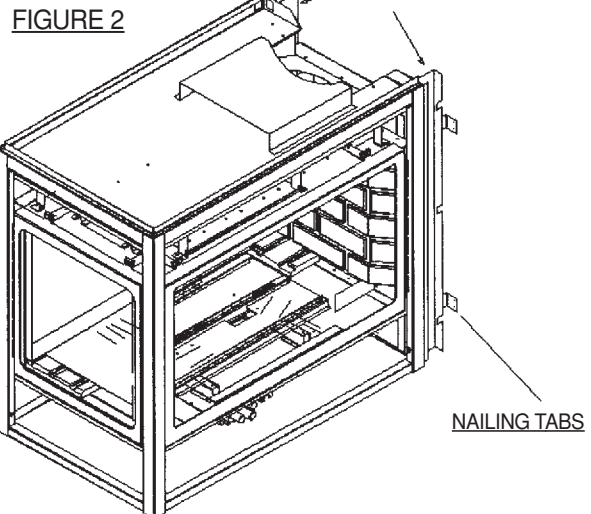


NOTE

Low profile enclosure 42.0" to 52.0" must maintain a minimum clearance of 2" from top of 7.0" flex pipe and insulation sleeve to bottom of combustible enclosure top. Insulation sleeve must be installed so that it covers 7.0" flex pipe from fireplace up and to wall sleeve.
Refer to Page #11 for any additional information.



REAR STAND OFFS COMPLETE WITH NAILING TABS



FIREPLACE ASSEMBLY

Rear standoffs are equipped with nailing tabs. Level Fireplace nail or screw into place.

NOTE!

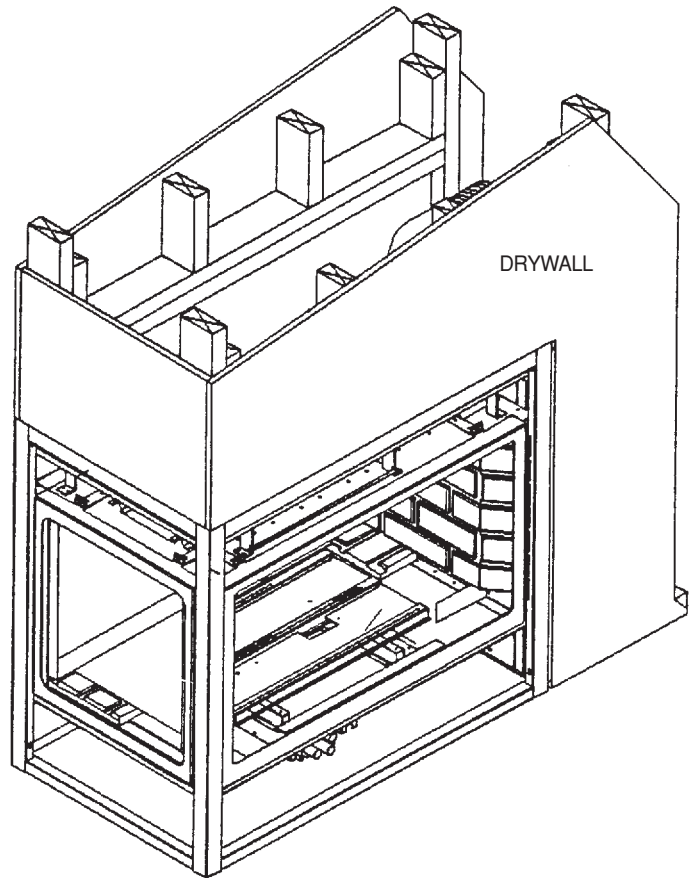
For Log, Crushed Rock and Glowing Ember installation refer to PAGE 16.

NOTE: Clearance to back of unit and/or sides of unit framed into walls require 6" minimum clearance to combustibles. We recommend using two (2 x 4) studs placed against the wall as per framing diagrams. See Page 3 - Locating your Appliance, for additional information.

FACING MATERIAL INSTALLATION

Facing material. Example DRYWALL may be installed Flush with top of Fireplace.

Side facing to be installed to standoffs only.



Clearance to Combustibles

Back (of unit)	6 inches/152 mm
Sides (of unit in framing)	6 inches/152 mm
Vertical Pipe	1 inch/25 mm
Back (from standoffs)	0 inches/0 mm
Side (from standoffs)	0 inches/0 mm
Floor	0 inches/0 mm
Top of 90° Bend No Sleeve, in Enclosure over 52"	4 inches/102 mm
Top of Horizontal Pipe	2.5 inches/64 mm
Top Framing from Standoff	0 inches/0 mm
Bottom of Top Enclosure with Insulation Sleeve	42 inches/1067 mm
In Low Profile Enclosures from 42-52"	
Top of Horizontal Pipe in Enclosure without Sleeve	12 inches/305 mm
Top of Horizontal Pipe in Low Profile Enclosure with Insulation Sleeve	2 inches/51 mm

Note: See Mantel Chart

Mantles

Depending on the width of the fireplace mantle, it may be installed higher or lower from the top of the fireplace opening. See drawings for proper installation height of your combustible mantel. Non-combustible mantles may be installed at any height above the fireplace opening.

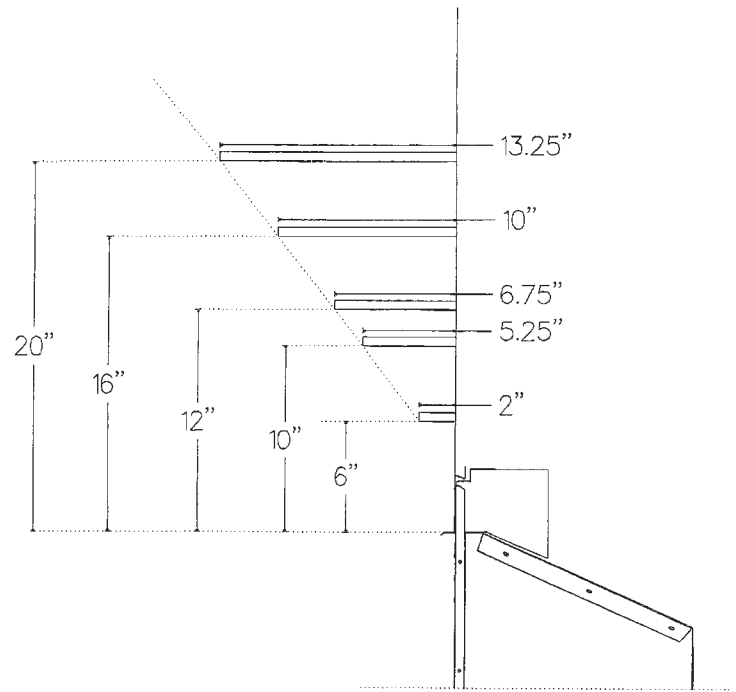
Non combustible materials such as brick, tile, etc. can extend up to or over the front face of the fireplace (NO PORTION OF GRILL AREA OR DOOR AREAS CAN BE COVERED).

Combustible material can extend flush to unit up to the top, bottom and sides of fireplace to stand-offs.

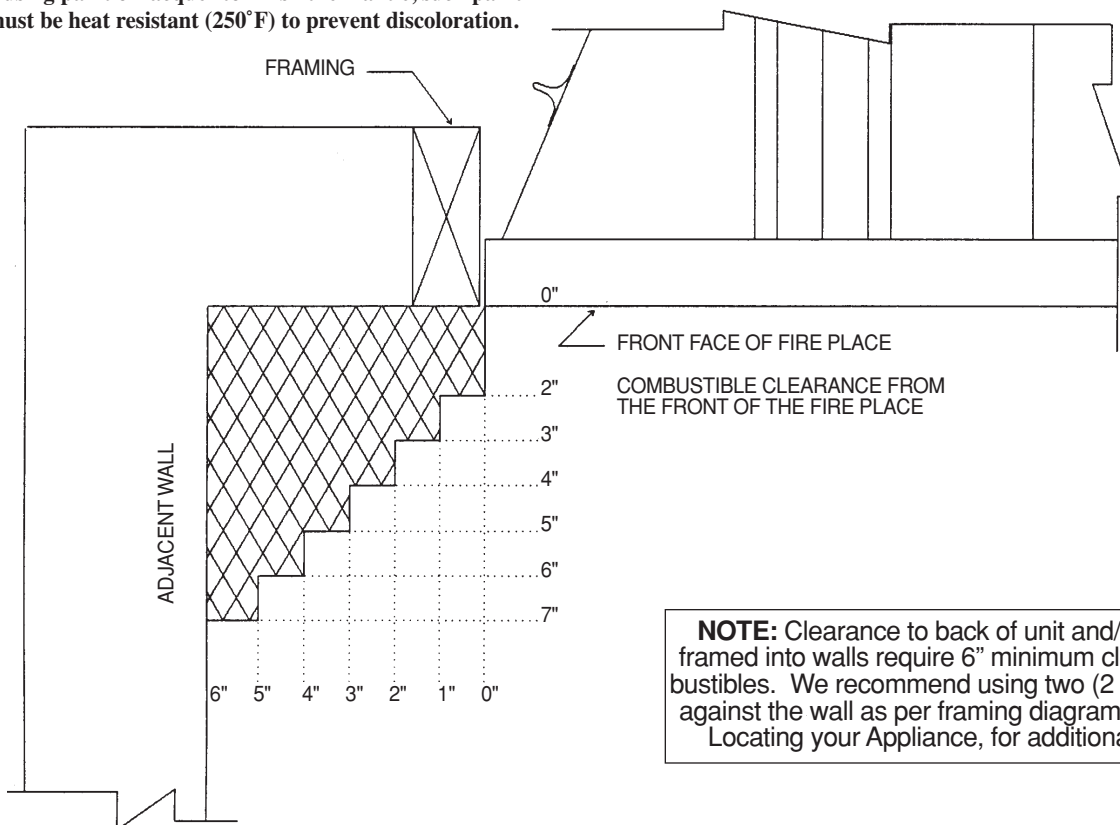
If slim line brass surround is used, brick, tiles or other NON-COMBUSTIBLE materials may extend past the front of unit giving a recessed appearance. For COMBUSTIBLE materials extending in front of fireplace consult (Mantel and Mantel Leg Drawings).

If wide brass surround is used finish materials must be flush with front of unit.

Note: When using paint or lacquer to finish the mantle, such paint or lacquer must be heat resistant (250°F) to prevent discoloration.



Warning: Combustible objects must not be placed on a non-combustible mantle unless the non-combustible mantle meets the minimum height and width requirements for a combustible mantle.



NOTE: Clearance to back of unit and/or sides of unit framed into walls require 6" minimum clearance to combustibles. We recommend using two (2 x 4) studs placed against the wall as per framing diagrams. See Page 3 - Locating your Appliance, for additional information.

NOTE

INSULATION SLEEVE MUST COVER 7.0" FLEX PIPE FROM FIREPLACE UP AND TO WALL. SLEEVE FOR LOW PROFILE ENCLOSURES MAXIMUM 34.0".

LOW PROFILE ENCLOSURE 42.0" TO 52.0" MUST MAINTAIN A MINIMUM CLEARANCE OF 2.0" FROM TOP OF 7.0" FLEX PIPE AND INSULATION SLEEVE.

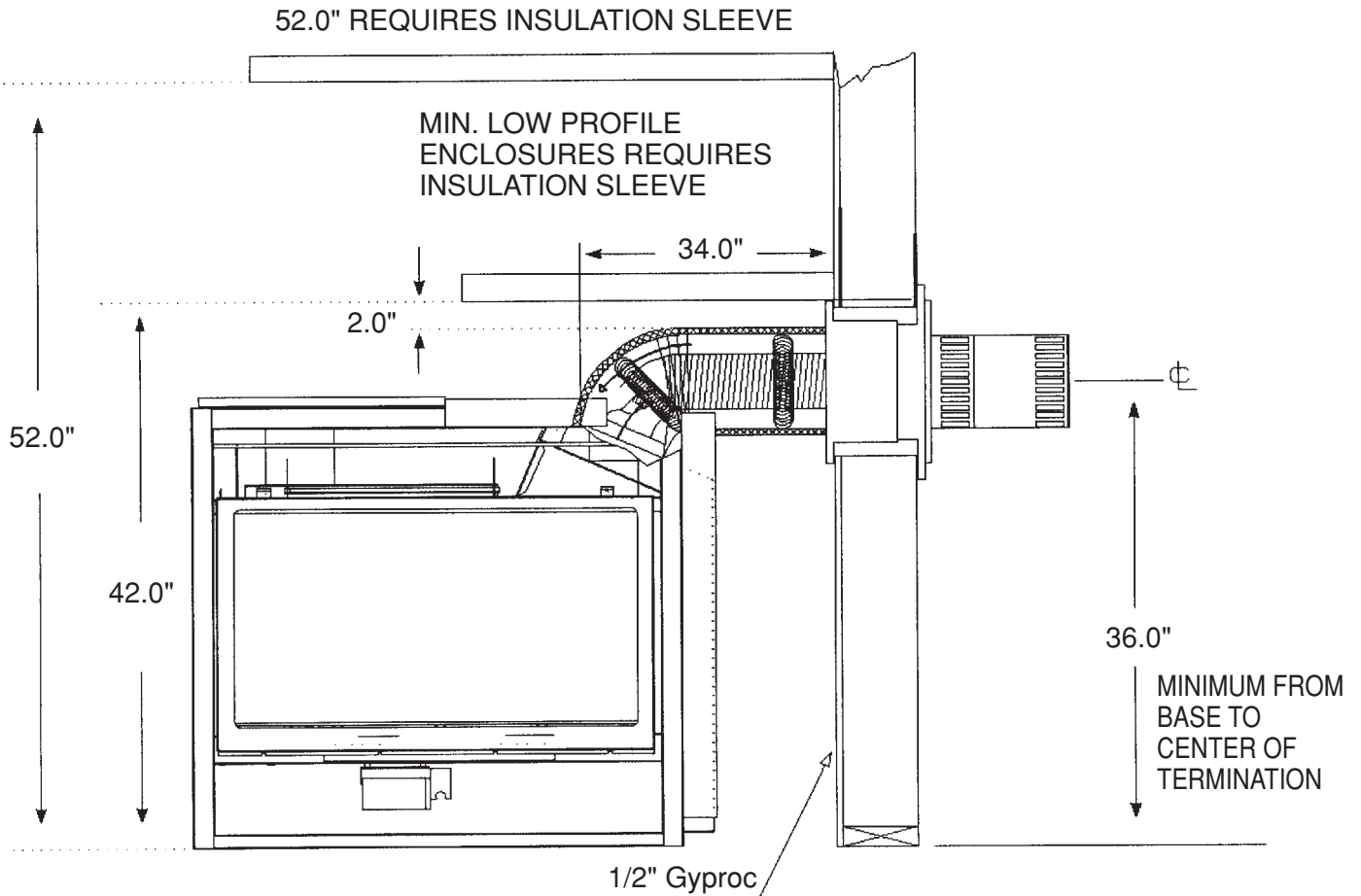
52.0" AND HIGHER ENCLOSURE MUST MAINTAIN 4.0" ABOVE 7.0" FLEX PIPE WITHOUT INSULATION SLEEVE.

NOTE: Clearance to back of unit and/or sides of unit framed into walls require 6" minimum clearance to combustibles. We recommend using two (2 x 4) studs placed against the wall as per framing diagrams. See Page 3 - Locating your Appliance, for additional information.

NOTE

WITH USING DURA-VENT PIPE AND ADAPTER MINIMUM HEIGHT OF 52.0" MUST BE MAINTAINED FOR PROPER CLEARANCES. INSULATION SLEEVE IS NOT REQUIRED. THIS WILL LEAVE A 4.0" MINIMUM CLEARANCE TO COMBUSTIBLE TOP.

It is recommended for **Propane Horizontal Installations** that the venting should be a minimum of one foot vertical off the flue before the elbow on any horizontal runs of one foot or greater. This allows for cleaner combustion and greatly reduces carboning and cleaning of glass. (Does not apply to Back Flue Models).



Installation and Operation

Installation Regulations

This gas appliance must be installed by a qualified installer in accordance with local building codes, or in the absence of local codes, with the current CAN/CGA-B149.1 or .2 Installation Code (in Canada) or the current National Fuel Gas Code Z223.1 when installed in the United States.

This appliance, when installed, must be electrically connected and grounded in accordance with local codes, or in the absence of local codes, with the current CSA C22.1 Canadian Electrical Code or with the national Electrical Code; ANSI/NFPA 70-1987 when installed in the United States.

FOR SAFE INSTALLATION AND OPERATION OF YOUR GAS FIREPLACE PLEASE NOTE THE FOLLOWING:

1. This appliance gives off high temperatures and should be located out of heavy traffic areas and away from furniture and draperies.
2. Children and adults should be alerted to the hazards of the high surface temperatures of this appliance and should stay away to avoid burns or ignition of clothing.
3. Children should be carefully supervised when they are in the same room as your fireplace appliance.
4. Under no circumstances should this appliance be modified. Any parts that have to be removed for servicing should be replaced prior to operating this appliance.
5. Installation and any repairs to this appliance should be done by a qualified service person. A professional service person should be called to inspect this appliance annually. Make it a practice to have all your gas appliances checked annually.
6. Control compartments, burners and air passages in this appliance should be kept clean and free of dust and lint. Make sure that the gas valve and pilot light are turned off before you attempt to clean this unit.
7. The venting system (chimney) of this appliance should be inspected at least once a year and if needed, your venting system should be cleaned.
8. Keep the area around your appliance clear of combustible materials, gasoline and other flammable vapors and liquids. This appliance should not be used as a drying rack for clothing nor should Christmas stockings or decorations be hung from it.
9. Under no circumstances should any solid fuels (wood, paper) be used in this appliance.
10. For safe operation, glass doors must be closed.
11. Do not use this heater if any part has been under water. Immediately call a qualified service technician to inspect the heater and to replace any part of the control system and any gas control which has been under water.
12. Do not operate appliance unless completely installed as per installation instructions.

Certified for installation in a bedroom or bedsitting room. In Canada must be installed with listed milli volt thermostat. In USA see local codes.

Operating and Maintenance Instructions

This gas appliance should be installed by a qualified installer in accordance with local building codes and with current CAN/CGA - B149 .1 or .2 installation codes for Gas Burning Appliances and Equipment.

Warning: When purging the gas line, the glass front must be removed.

For safe installation and operation note the following:

This appliance gives off high temperatures and should be located out of heavy traffic areas and away from furniture and draperies.

Children and adults should be alerted to the hazards of high surface temperatures of this appliance and should stay away to avoid burns or ignition of clothing.

Under no circumstances should this appliance be modified. Parts that have to be removed for servicing should be replaced prior to operating this appliance again.

Installation and any repairs to this appliance should be done by a qualified service person. A professional service person should be called to inspect this appliance annually. Make it a practice to have all of your gas appliances checked annually.

Never use your gas fireplace as a cooking device.

The Burner/Log Assembly has been engineered and permanently adjusted for proper flame control.

Do not alter gas orifice.

Periodically remove the logs from the grate assembly and vacuum any loose particles from the grate and burner areas.

Control compartments, burners and air passages in this appliance should be kept clean and free of dust and lint. Make sure that the gas valve and pilot light are turned off before you attempt to clean this unit.

The venting system (chimney) of this appliance should be inspected at least once a year and if needed, your venting system should be cleaned.

Keep the area around your appliance clear of combustible materials, gasoline and other flammable vapors and liquids.

This appliance should not be used as drying rack for clothing, nor should Christmas stockings or decorations be hung near it.

Under no circumstances should any solid fuels (wood, paper, cardboard, coal) be used in this appliance.

Note: It is normal for your gas fireplace to give off some odor the first time it is burned. This is due to the curing of the paint and any undetected oil from the manufacturing process.

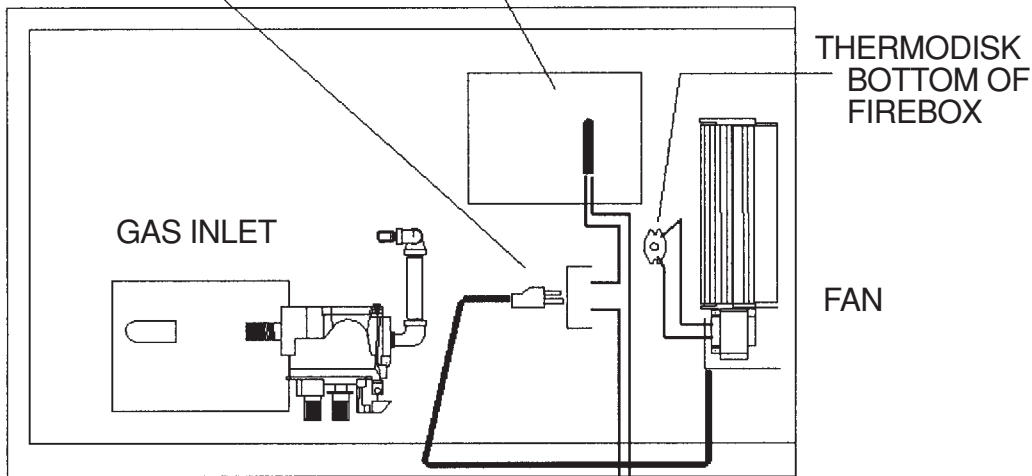
Please ensure that your room is well ventilated - open all windows.

It is recommended that you burn your gas fireplace for at least four (4) hours the first time you use it without the fan on.

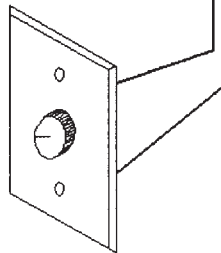
FAN KIT INSTALLATION

SUGGESTED LOCATION FOR 120V
JUNCTION BOX FOR FAN KIT

SUGGESTED LOCATION FOR 120V
POWER CABLE

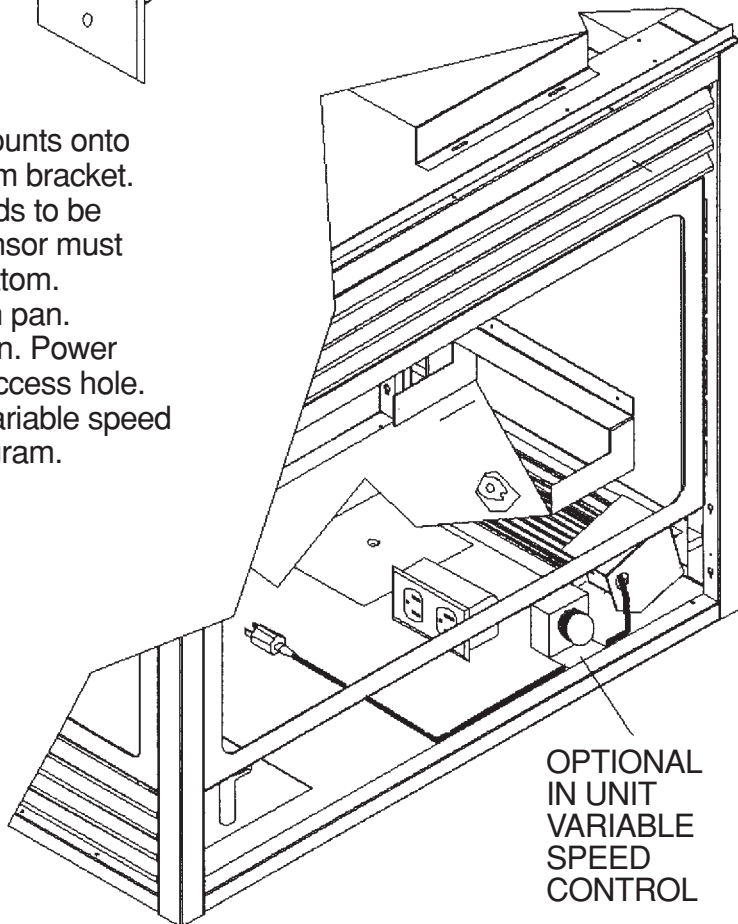


WALL MOUNTED
VARIABLE SPEED
CONTROL



L/H FIREPLACE SHOWN

1. To install fan slide key hole mounts onto both #8 screws, located rear bottom bracket.
2. The sensor (thermo-disc) needs to be secured under the firebox. The sensor must be in direct contact with firebox bottom.
3. Install a junction box to bottom pan. Refer to diagram for proper location. Power cable to be routed through 6"x8" access hole.
4. Connect power, sensor and variable speed wall switch as shown in wiring diagram.



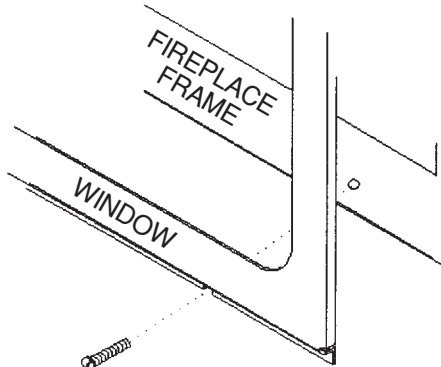
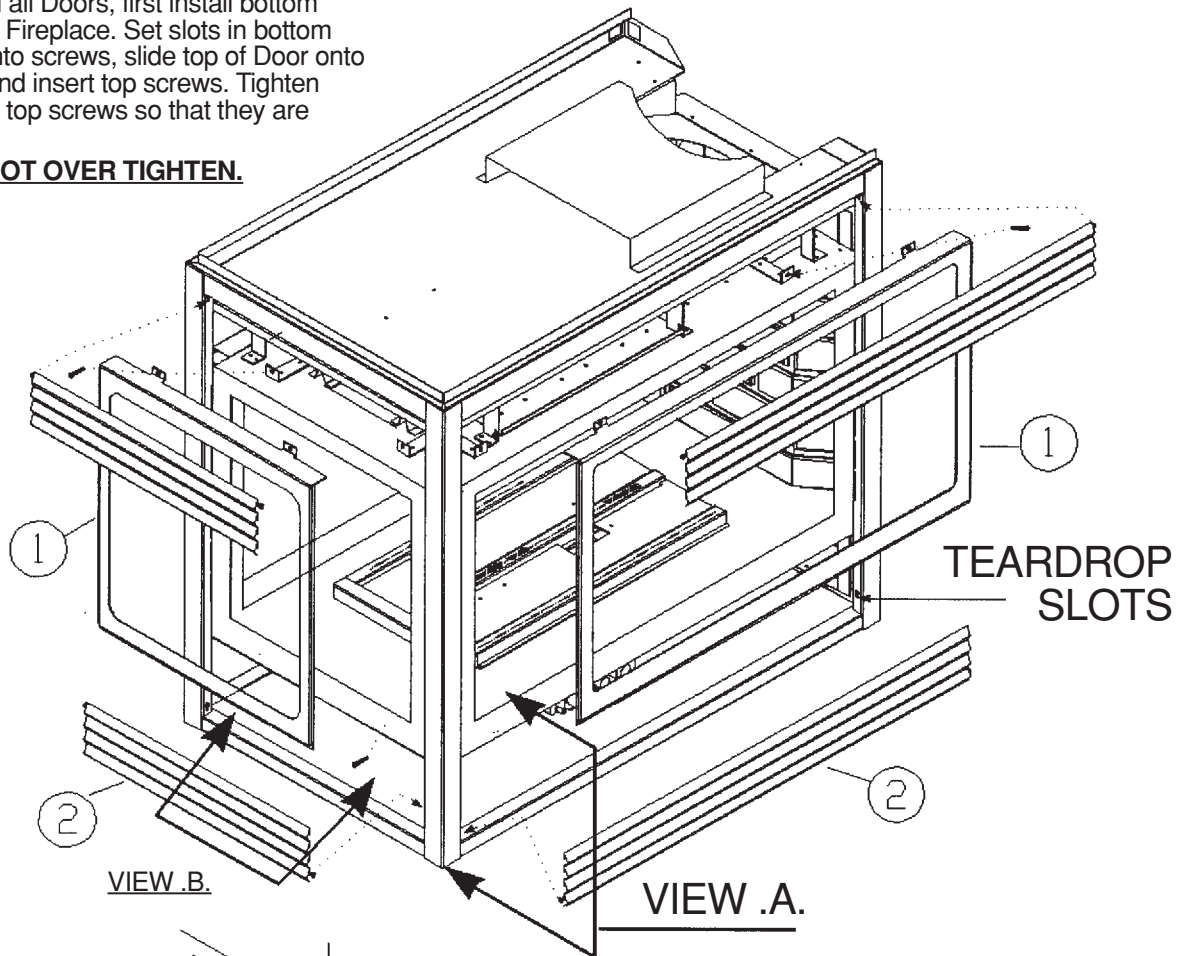
OPTIONAL
IN UNIT
VARIABLE
SPEED
CONTROL

DOOR AND GRILL INSTALLATION

DOOR ASSEMBLY

To install all Doors, first install bottom screws into Fireplace. Set slots in bottom of Doors onto screws, slide top of Door onto Fireplace and insert top screws. Tighten bottom and top screws so that they are snug.

DO NOT OVER TIGHTEN.



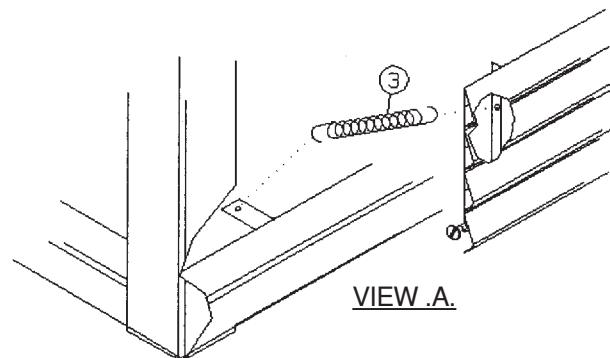
GRILL ASSEMBLY

1. In both top and bottom inside corner posts there are Teardrop slots. As shown in diagram.

2. On Grills there are screws in both ends. To install slide the head into one of the teardrop slots, then slide Grill to opposite side, repeat procedure. These screws may have to be adjusted for proper alignment and length.

3. All Grills have screws in top part of Grill with exception to lower Grill for Gas Valve access. This Grill will fit either side depending on L/H or R/H Fireplace installation.

The Grill for Gas Valve access requires the installation of 2 springs on both ends. Refer to VIEW .A. for proper installation.



BAY WINDOW INSTRUCTIONS MDV38 SERIES

“CAUTION”

“WARNING”

WHEN INSTALLING BAYWINDOW ASSEMBLY ORIGINAL GLASS WINDOW **MUST** REMAIN INSTALLED ON FIREPLACE. FAILURE TO FOLLOW THESE INSTRUCTIONS MAY CAUSE INJURY.

THE BAY WINDOW IS NOT TO BE USED WITH TEMPERED GLASS MODEL MDV30 SERIES

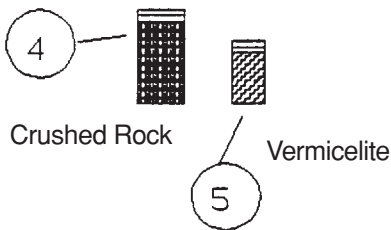
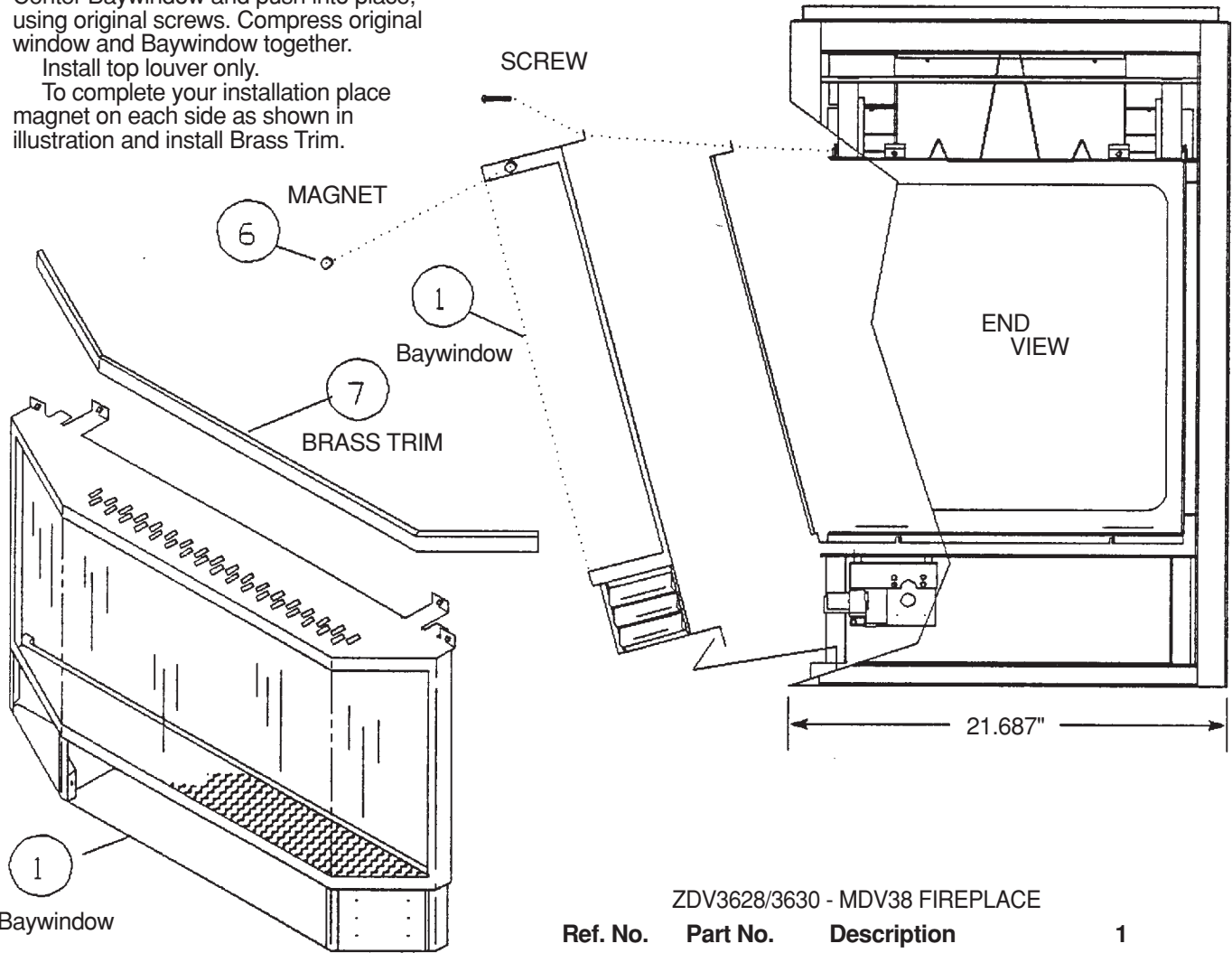
Before installing Baywindow spread crushed rock in bottom of Baywindow pan. Sprinkle Vermiculite on top of crushed rock.

To install Baywindow assembly slightly tilt back and hook bottom onto bottom channel of Fireplace.

Before pushing Baywindow into place check to make sure original window is centered. Center Baywindow and push into place, using original screws. Compress original window and Baywindow together.

Install top louver only.

To complete your installation place magnet on each side as shown in illustration and install Brass Trim.



ZDV3628/3630 - MDV38 FIREPLACE

Ref. No.	Part No.	Description	1
"1"	1001-500	Baywindow Assembly	1
"2"	1001-P189SI	S.I.T. Extension Hi/Low	1
"3"	1001-P188SI	S.I.T. Extension On/Off	1
"4"	Misc.	Crushed Rock	1 1/2
"5"	Misc.	Vermiculite	1
"6"	1000-309	Magnet	2
"7"	1001-506	Brass Trim Top	1

METAL OR BRICK PANEL INSTALLATION

Brick Panels are optional with this unit.

Insert Metal or Brick Panels into place. Using a retaining clip, position and screw to top of firebox. Refer to Figure #3.

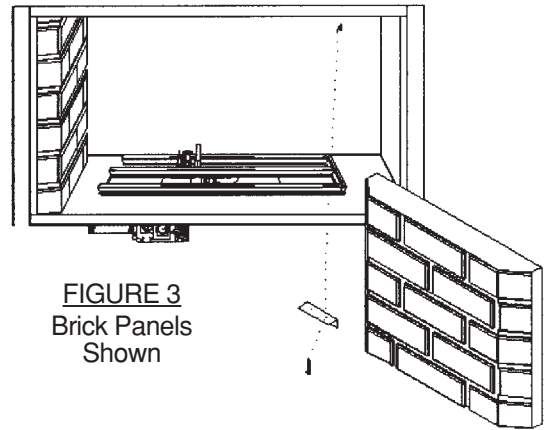
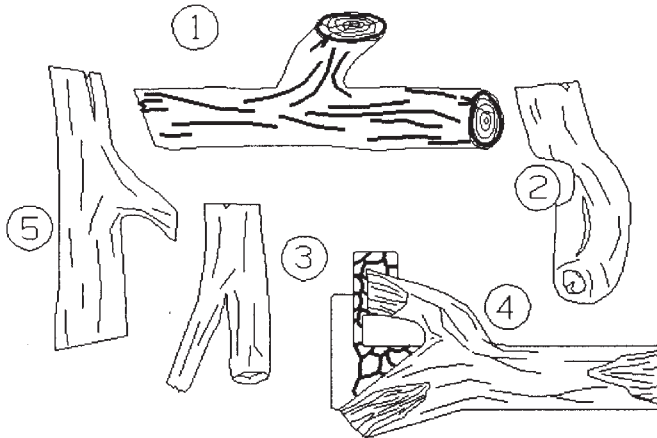


FIGURE 3
Brick Panels
Shown



LOG INSTALLATION

The KINGSMAN Log set has been numbered for ease of installation.

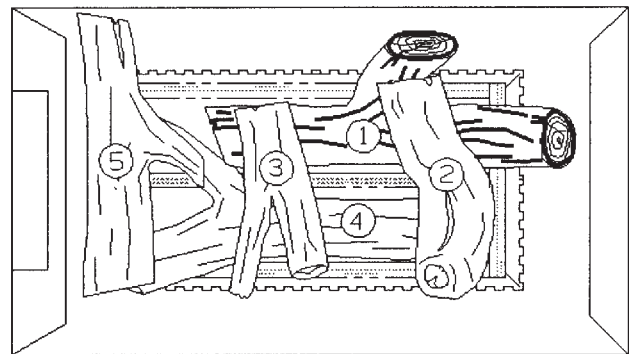


FIGURE 5

TOP
VIEW

CRUSHED ROCK AND GLOWING EMBER INSTALLATION

1. Apply Crushed Rock to bottom pan and to Grate area. Do Not cover Burner with Crushed Rock. Keep dust away from Burner Ports to avoid plugging them. Any fine dust found in bottom of bag is not to be used.
2. To apply Glowing Embers tear embers into pieces and place along perimeter Burners, as well as on top of Crushed Rock in Grate area only.

Care should be taken to shred the embers into thin, small irregular pieces as only the exposed edges of the fibre hairs will glow. The Ember material will only glow when exposed to direct flame. However, care should be taken not to block burner ports.

Blocked Burner Ports can cause an incorrect flame pattern, carbon and delayed ignition.

If in the event you require additional Crushed Rock or Glowing Embers please contact your local KINGSMAN Dealer.

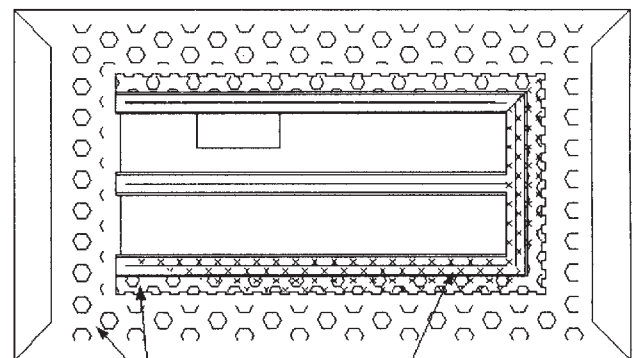
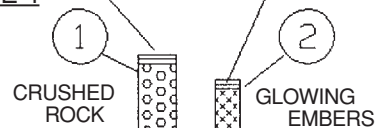
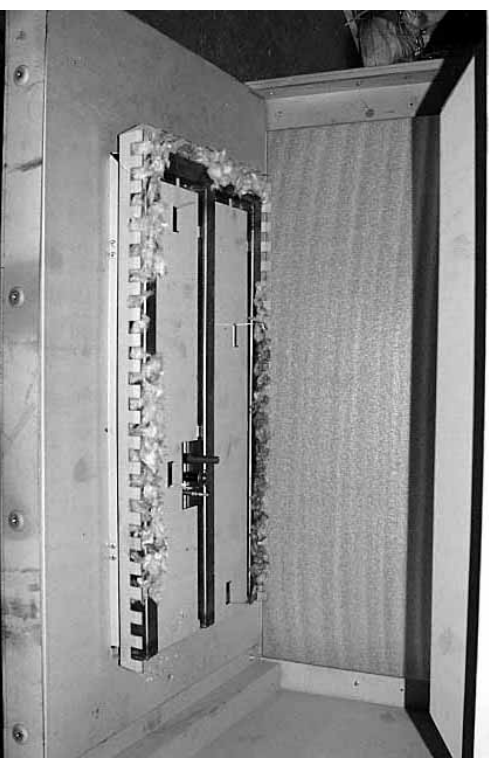
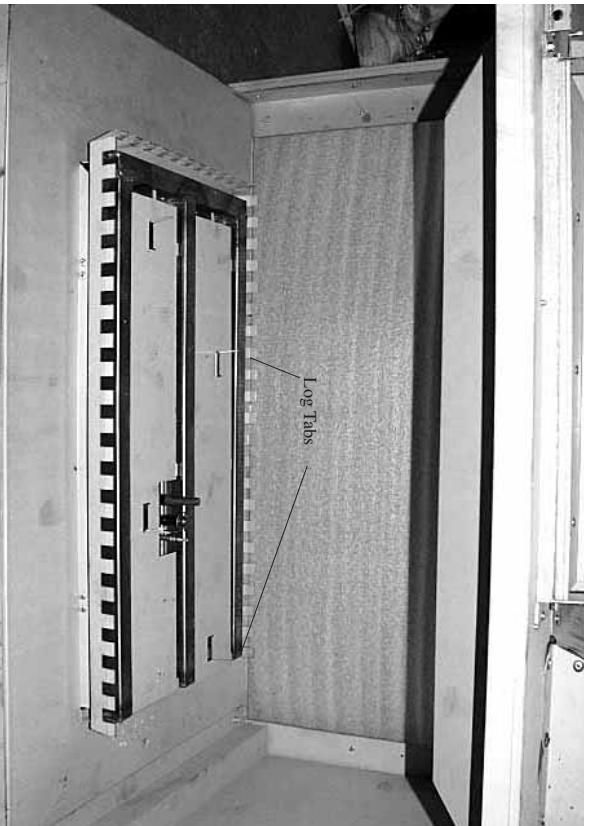


FIGURE 4



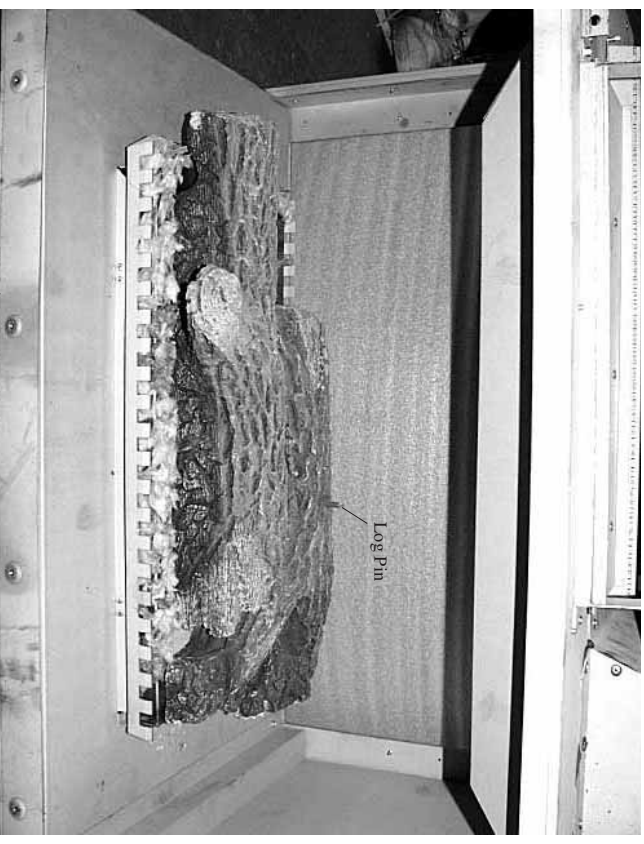
LOGF38 PLACEMENT GUIDELINES



Step (1) If using the MVE40 chassis, omit this step (go to step 2). If using MDV30 or MDV38, break glowing embers into thumbnail size and place along the perimeter of the burner. Do not place on middle burner (as illustrated). Care should be taken not to block burner ports.

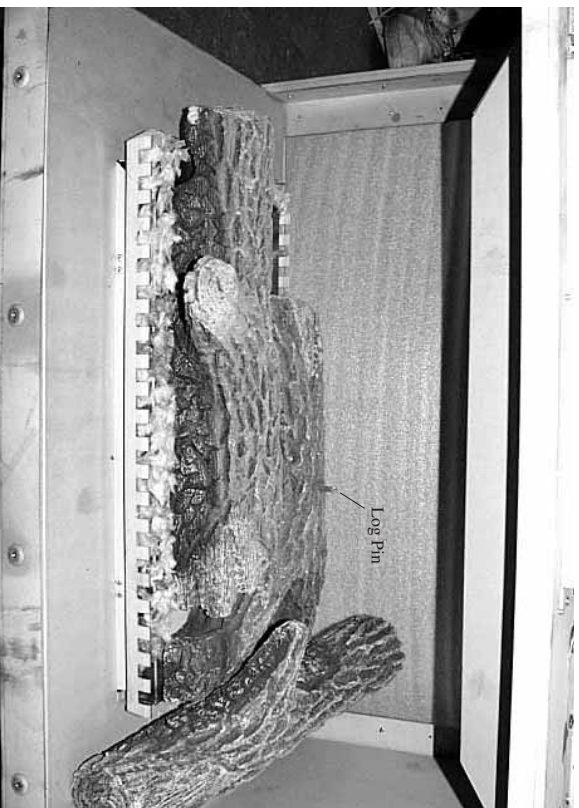


Step (2) Take Log #4 and place onto burner using the two log tabs (located on burner pan) as a guide.

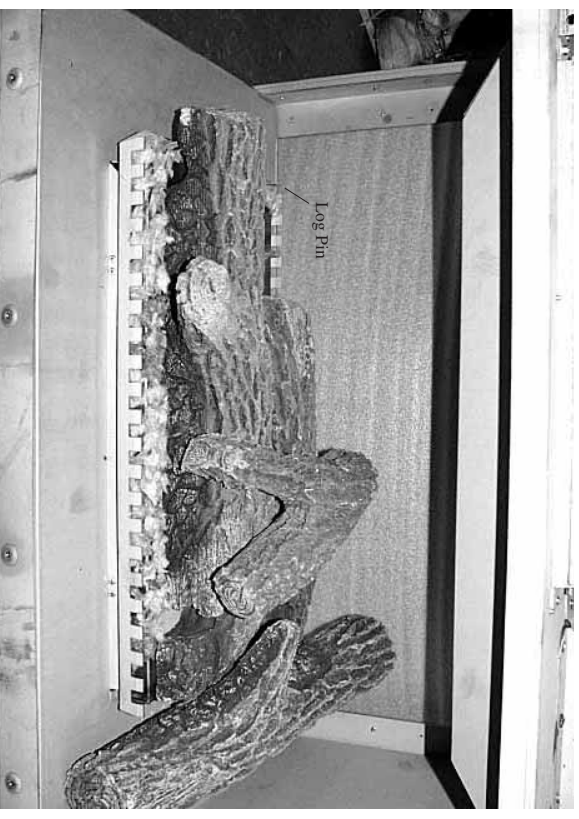


Step (3) Take Log #1 and place onto burner using the two log tabs (located on burner pan) as a guide.

LOGF38 PLACEMENT GUIDELINES (continued)



Step (4) Place Log #5 onto Log #4 using the log pin as a guide. Ensure Log #5 rests on the shape of Log #4.



Step (5) Place Log #3 onto both Log #1 and Log #5 using the log pins as a guide.

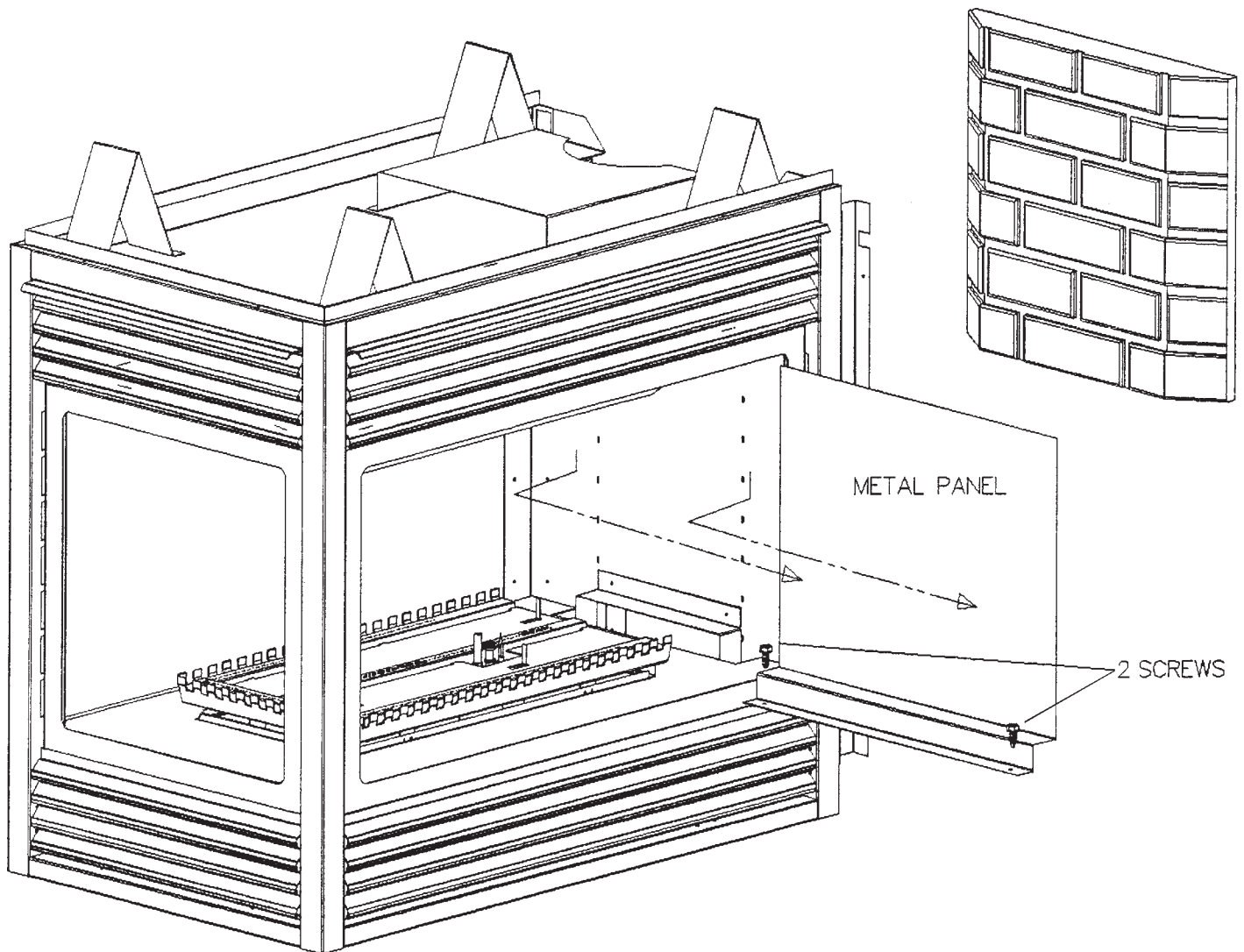


Step (6) Place Log #2 onto both Log #1 and #4 using the log pins as a guide. Ensure Log #2 does not cover burner.

Installation of MDV38RLE

REMOVAL OF METAL PANEL BEFORE INSTALLING REAR BRICK PANEL

1. Locate 2 screws on bottom rear of unit holding metal panel to firebox bottom, remove the 2 screws and discard.
2. Hold metal panel by the bottom and pull forward and down at the same time. This will release the panel from the holder at the top of the unit. Discard metal panel.
3. The brick panel can now be installed. (See installation of brick on page 16 of Manual.)



BURNER AND VALVE R&R INSTRUCTIONS

BURNER REMOVAL AND REPLACEMENT

1. Turn OFF the Gas and Electric Power before servicing the Fireplace.
2. Remove doors. Remove end, back or side bricks, this depends on type of Fireplace installation. Remove all Crushed Rock and Glowing Embers. Vacuum inside of Fireplace for remaining dust particles. FIGURE 1.
3. Lift and remove Burner Deflectors from Burner. Remove four screws securing Burner and slide Burner away from back of Fireplace until it clears orifice. Lift and remove Burner.

DO NOT force up or sideways, as this may damage Venturi. FIGURE 2.

4. To replace, reverse procedure.

FIGURE 1

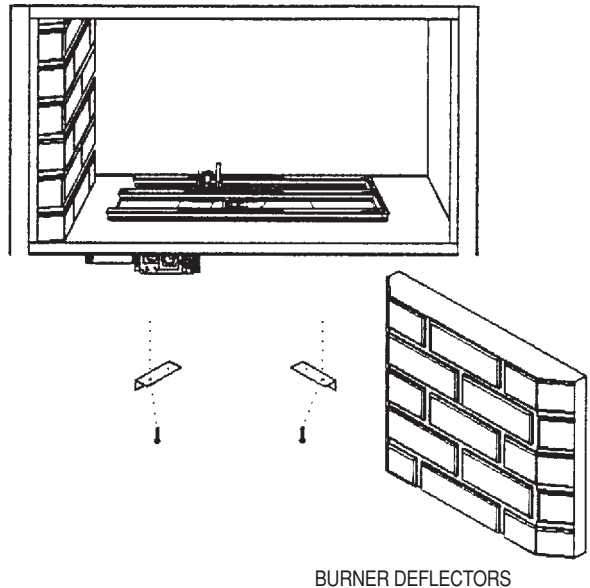
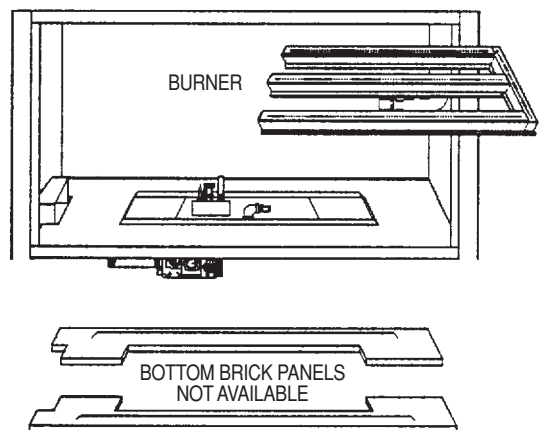


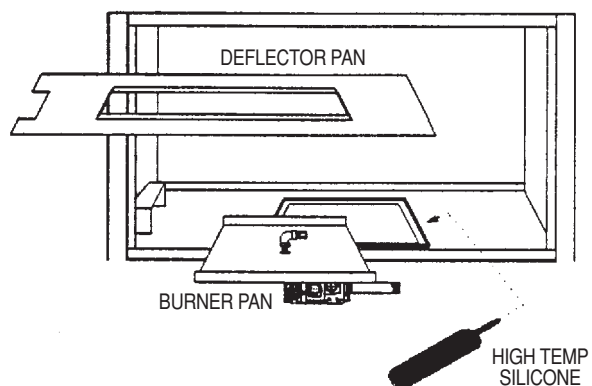
FIGURE 2



VALVE REMOVAL AND REPLACEMENT

1. To remove Valve first follow Burner instructions.
2. Remove GAS line and Deflector Pan.
3. To remove Valve Pan, first remove self tapping screws, then using a knife slide it between Pan and Firebox bottom. This will separate the High Heat Silicone bond. Carefully remove Pan and Valve from Fireplace. FIGURE 3.
4. To replace, first clean any Silicone from Firebox bottom. Reapply Fresh HIGH HEAT SILICONE as in Figure 3 and reverse all procedures.

FIGURE 3



Millivolt System, Lighting, & Burner Control

Lighting Instructions

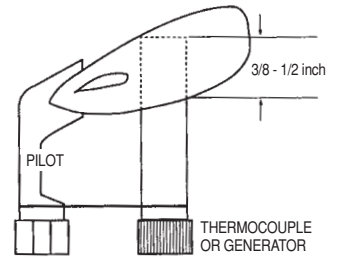
1. Open access grill on bottom.
 2. Push in gas control knob slightly and turn clockwise to "OFF".
- NOTE: Knob cannot be turned from "PILOT" to "OFF" unless knob is pushed in slightly. Do not force.
3. Wait five (5) minutes to clear out any gas remaining in burner combustion chamber.
 4. Turn knob on gas control counter-clockwise to "PILOT".
 5. Push in control knob all the way and hold in. Immediately light the pilot with piezo-electric ignitor while continuing to push knob in for one (1) minute. Release knob. Pilot should remain lit. If it goes out, repeat steps 2 through 5 until pilot remains lit.
 - If knob does not pop up when released, stop and immediately call your service technician or gas supplier.
 - If pilot will not stay lit after several tries, turn the gas control knob to "OFF" and call your service technician or gas supplier.
 6. Turn gas control knob counter-clockwise to "ON".
 7. All models are supplied with a wall switch that turns the main burner on or off. If main burner does not light immediately when you turn the gas control valve to "ON" ensure that the wall switch is in the "ON" position.

NOTE: The "On/Off" wall switch may be replaced with a wall thermostat allowing main burner to light and turn off automatically depending upon thermostat setting and room temperature.

8. Adjust the gas flow (flame height) with the HI/LOW gas control knob on valve.
9. Close control access grill.

Pilot Burner Adjustment

1. Remove pilot adjustment cap.
2. Adjust pilot screw to provide proper sized flame.
3. Replace pilot adjustment cap.
4. Leak Test.

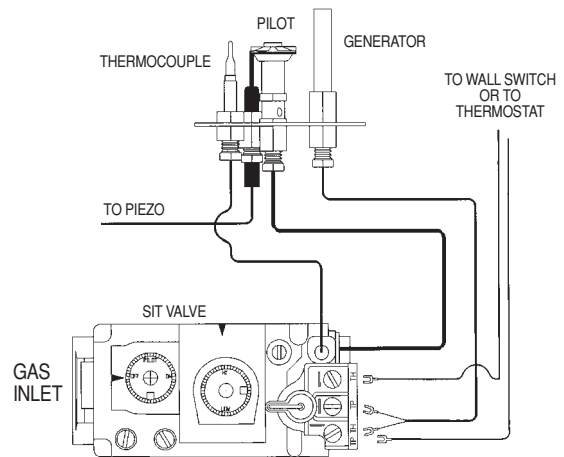


Caution: Do Not Wire 120 Volt Power To Millivolt Switches Or Thermostats.

To Turn Off Gas Appliance

Turn off all electric power to the appliance if service is to be performed. Open control access grill.

Push in gas control knob slightly and turn clockwise to "OFF". Do not force. Close control access grill.

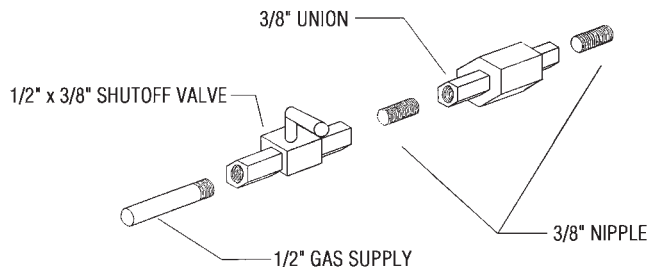


Gas Line Installation

This gas appliance should be installed by a qualified installer in accordance with local building codes and with current CAN/CGA - B149.1 or .2 installation codes for Gas Burning Appliances and equipment in Canada and the National Fuel Gas Code ANSI Z223 in the U.S.A.

1. The gas pipeline can be brought in through either the right or the left side of the appliance. A knockout is provided at either location to allow for the gas pipe installation and testing of any gas connection.
2. The gas control inlet is 3/8" NPT. Typical installation layout for rigid pipe is shown at right.
3. When using **copper** or **flex connector**, use only approved fittings. Always provide a union so that gas line can be easily disconnected for burner or fan servicing. See gas specification for pressure details and ratings.
4. When a vertical section of gas pipe is required for the installation, a condensation trap is needed. See CAN/CGA-B149.1 or .2 for code details.
5. For natural gas, a minimum of 3/8" iron pipe with gas minimum pressure of 4.5 w.c. must be used for supply from the gas meter. Consult with the local gas utility if any questions arise concerning pipe sizes.
6. A 1/8" NPT plugged tappings are accessible for test gauge connection both on the inlet and outlet of the gas valve.
7. Turn the gas supply ON and check for leaks. **DO NOT USE OPEN FLAME FOR THIS PURPOSE.** Use an approved leak testing solution.
8. The appliance and its individual shutoff valve must be disconnected from the gas supply piping system during any pressure testing of that system at test pressures in excess of 1/2 PSIG (3.5 KPa).
9. The appliance must be isolated from the gas supply piping system by closing its individual shutoff valve during any pressure testing of the gas supply piping system at test pressures equal to or less than 1/2 PSIG (3.5 KPa).

Note: The gas line connection may be made of 1/2" rigid pipe, 1/2" copper pipe or an approved flex connector. Since some municipalities have additional local codes, it is always best to consult your local authorities and the current CAN/CGA - B149.1 or .2 installation code in Canada or the National Fuel Gas code ANSI Z223.1 in the U.S.A.



Important: Always check for gas leaks with a soap and water solution. Do not use open flame for leak testing.

Gas Specifications

FUEL	N/NATURAL		LP/PROPANE	
MODEL	MDVR30N	MDVR38N	MDVR30LP	MDVR38LP
	MDVL30N	MDVL38N	MDVL30LP	MDVL38LP
ORIFICE SIZE	#36	#30	#51	#50
INPUT BTU/HR	HIGH 30,000	39,000	30,000	38,000
	LOW 22,500	25,000	25,000	25,000
AIR SHUTTER	.093"	.188"	.25"	.4"

Gas Inlet Size S.I.T. 820 Nova, 3/8" NPT

Gas Supply Pressure	Minimum	Normal	Maximum
Natural Gas	5.5"	7"	9"
Liquid Propane	11"	11"	12"
Manifold Pressure	Natural Gas		Liquid Propane
Manifold Pressure High	3.5 IN. W.C./87 KPa		10 IN. W.C./2.61 KPa
Manifold Pressure Low	1.6 IN. W.C./40 KPa		6.3 IN. W.C./1.57 KPa

For the state of Massachusetts a **T-handle gas shut-off valve** must be used on a gas appliance. This T-handle gas shut-off valve must be listed and approved by the state of Massachusetts. This is in reference to the state of Massachusetts state code CMR238.

General Glass Information

Glass Cleaning

It will be necessary to clean the glass periodically. During start-up, condensation, which is normal, forms on the inside of the glass and causes dust, lint etc. to cling to the glass surface. Also, initial paint curing can deposit a slight film on the glass. It is therefore recommended that initially the glass be cleaned two or three times with non-abrasive common household glass cleansers and warm water. After that, the glass should be cleaned two or three times a season depending on the circumstances.

Cautions and Warnings

- Do not clean when the glass is hot.
- The use of substitute glass will void all product warranties.
- Care must be taken to avoid breakage of the glass.
- Do not operate this fireplace without the glass front or with a broken glass front.
- Do not strike or abuse glass.

Glass Replacement

REPLACEMENT GLASS FOR BOTH DIRECT VENT UNITS

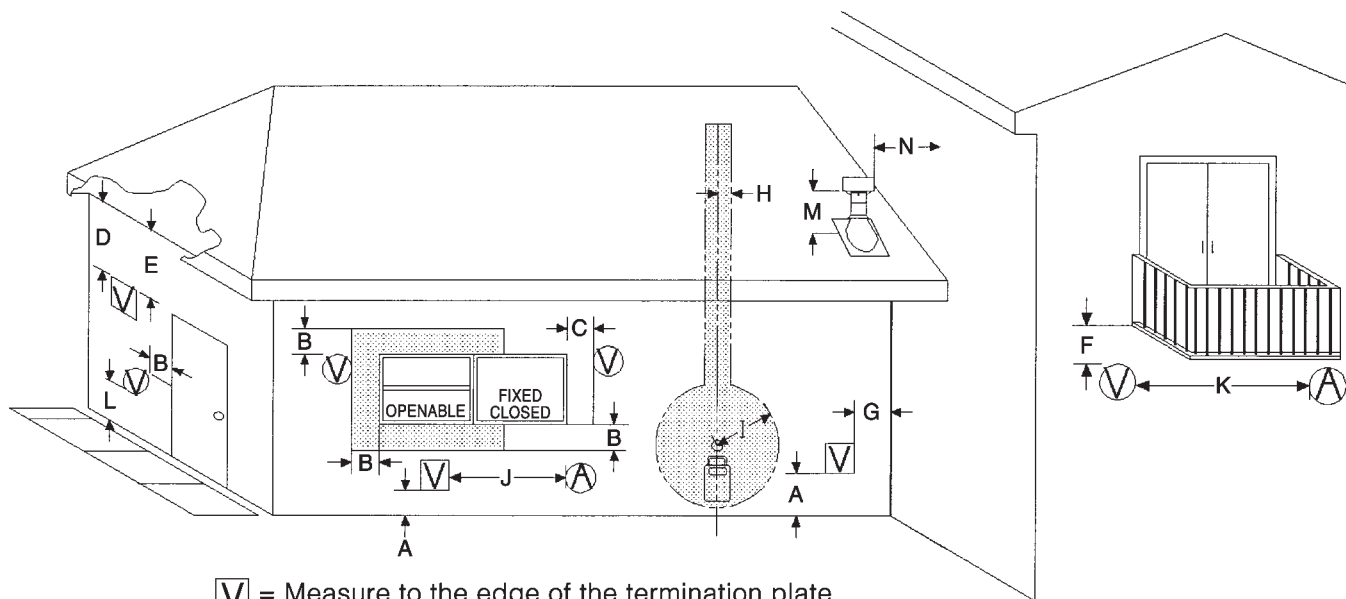
Model MDV30 Series can use either tempered glass or Robax ceramic or coated Neoceram glass. Must be 5 cm thick.



Only Robax ceramic or coated Neoceram glass may be used for replacement for model MDV38 Series. Must be minimum 5mm thick.

Removal of the Glass Door

1. Remove the two screws located behind upper grill.
2. To remove, pull frame forward and lift from bottom door retainer.
3. To replace glass, clean all materials from door frame. Using a high heat silicone (temperature-resistant to 500°F (260°C) apply a bead of approximately 1/32" to all four sides of frame and insert glass with new gasket. Frame should be on flat surface, with a small amount of weight pressing glass into silicone. Let dry approximately 15 to 20 minutes. The door can be re-installed by reversing Steps 1 & 2.

Vent Termination



 = Measure to the edge of the termination plate.
 = Measure to the edge of the round termination.

 Vent Terminal

 Air Supply

 Area Where Terminal Not Permitted.

- A - Clearance above grade, veranda, porch, deck, or balcony 12 inches (30cm) minimum.₁
- B - Clearance to window or door that may be opened. 12 inches (30cm) minimum for appliances 100,000 Btuh (30 kW) and lower.
- C - Clearance to permanently closed window minimum 12 inches (30cm) recommended to prevent condensation on window.
- D - Vertical clearance to ventilated soffit located above the termination within a horizontal distance of 2 feet (60cm) from the center line of the termination. 18 inches (46cm) minimum.
- E - Clearance to unventilated soffit 12 inches (30cm) minimum.
- F - Clearance under veranda, porch, deck or balcony 12 inches, (30cm) minimum.₂
- G - Clearance from a perpendicular inside wall or outer corner to the edge of the vent terminal plate is 3" (minimum).
- H - Not to be installed above a meter/regulator assembly within 3 feet (90cm) horizontally from the center line of the regulator.
- I - Clearance to service regulator vent outlet 3 feet (91cm) minimum.₁
- J - Clearance to non-mechanical air supply inlet to building or the combustion air inlet to any other appliance 12 inches (30cm) minimum for appliances 100,000 Btuh (30kW) and lower, 36 inches (90cm) minimum for appliances greater than 100,000 Btuh (30kW).
- K - Clearance to a mechanical air supply inlet 6 feet (1.8m) minimum.₁
- L - Clearance above paved sidewalk or a paved driveway located on public property 7 feet (2.1m) minimum.₃
- M - Clearance above highest point of exit on roof 18 inches (45 cm).
- N - Clearance to perpendicular wall 24 inches (60 cm).
(Recommended to prevent re-circulation of exhaust products. For additional requirements check local codes.)

NOTE: Clearances are to the edge of terminal plate, add 6-3/4" to clearances to arrive at center line.

NOTE: Local Codes or Regulations may require different clearances.

Termination

It is imperative that the vent termination be located observing the minimum clearances as shown. There must not be any obstruction such as bushes, garden sheds, fences, decks or utility buildings within 24" from the front of the termination plate.

Do not locate termination where excessive snow or ice build-up may occur. Be sure to check vent termination area after snow falls and clear to prevent accidental blockage of venting system. When using snow blowers, make sure snow is not directed towards vent termination area.

General Venting Information

The gas fireplace is approved to be vented either through the side wall or vertically through the roof.

This appliance is approved with Kingsman flex vent system and also approved for use with Simpson Duravent Direct Vent System (model DV-GS series).

Kingsman flex vent system can be used with Simpson Duravent Direct Vent termination's (model DV-GS series).

When using Simpson Duravent Direct Vent pipe a Kingsman/Duravent adapter must be used to connect the fireplace to Simpson Duravent Direct Vent pipe.

ONLY VENTING COMPONENTS SPECIFICALLY APPROVED AND LABELLED FOR THIS FIREPLACE MAY BE USED.

Minimum clearance to combustibles on venting is 1" with the following exceptions as follows: Top of horizontal 1 1/2". Top of 90 degree elbow in an enclosure over 52" is 4" without an insulation sleeve.

Venting terminal shall not be recessed into a wall or siding.

1 - As specified in CGA B149 installation codes (1991).

2 - Only permitted if veranda, porch, deck, or balcony is fully open on a minimum of two sides beneath the floor.₁

3 - A vent shall not terminate directly above a sidewalk or paved driveway which is located between two single family dwellings and serves both dwellings.

Venting Routes And Components

Since it is important that the vent system maintain its balance between the combustion air intake and the flue gas exhaust, certain limitations as to vent configurations apply and must be strictly adhered to.

The table showing the relationship between vertical and horizontal side wall venting will help to determine the various vent lengths.

For horizontal vent runs with minimum vertical venting of 4 feet:

12" to 34" horizontal runs require 1/4" rise per foot.

See Figure 1.

34" to 240" horizontal runs require 2 1/2" rise per foot.

See Figure 2.

For horizontal vent runs using 90° bends with vertical runs from Fireplace, 1.0" rise per ft. using venting table. See Fig. 3.

2 additional 90° bends or equals are allowed. The horizontal run must be reduced by 36" per each 90° bend, or 18" per each 45° bend.

Maximum vertical run is 40 ft. (12.2 meters)

Locate the fireplace in such a way to minimize the off sets and/or horizontal runs that are required.

Insulation sleeve over 7" pipe is required for low profile enclosures with Combustible top 2.0" from top of flue pipe, to 13.0" from top of flue pipe. For Combustible top 14.0"+ above flue pipe require no insulation sleeve in enclosure.

It is recommended for **Propane Horizontal Installations** that the venting should be a minimum of one foot vertical off the flue before the elbow on any horizontal runs of one foot or greater. This allows for cleaner combustion and greatly reduces carboning and cleaning of glass. (Does not apply to Back Flue Models).

How To Use The Vent Table

1. Determine the height of the system and the number of bends required.
2. Having determined the vertical distance, determine the maximum horizontal section allowed.
3. Vent table has been established for 90° horizontal/vertical runs. With use of flex pipe distance not having 90° bends will not fall into vent table standards. See Fig. B.

Venting Table From Bottom Of Fireplace

For venting to a maximum of 40 ft. (12.2 meters)

Total Vertical		Max. Total Horizontal	
Feet	Meters	Feet	Meters
4	1.2	8	2.4
5	1.5	15	4.5
6	1.8	15	4.6
7	2.1	20	6.1
8	2.4	20	6.1
9	2.7	20	6.1
10	3.0	20	6.1
11	3.4	20	6.1
12	3.7	20	6.1
13	4.0	20	6.1
14	4.3	20	6.1
15	4.6	20	6.1
16	4.9	20	6.1
17	5.2	20	6.1
18	5.5	20	6.1
19	5.8	20	6.1
20	6.1	20	6.1
25	7.5	15	4.6
30	9.1	10	3.0
40	12.2	0	0

FIGURE 1

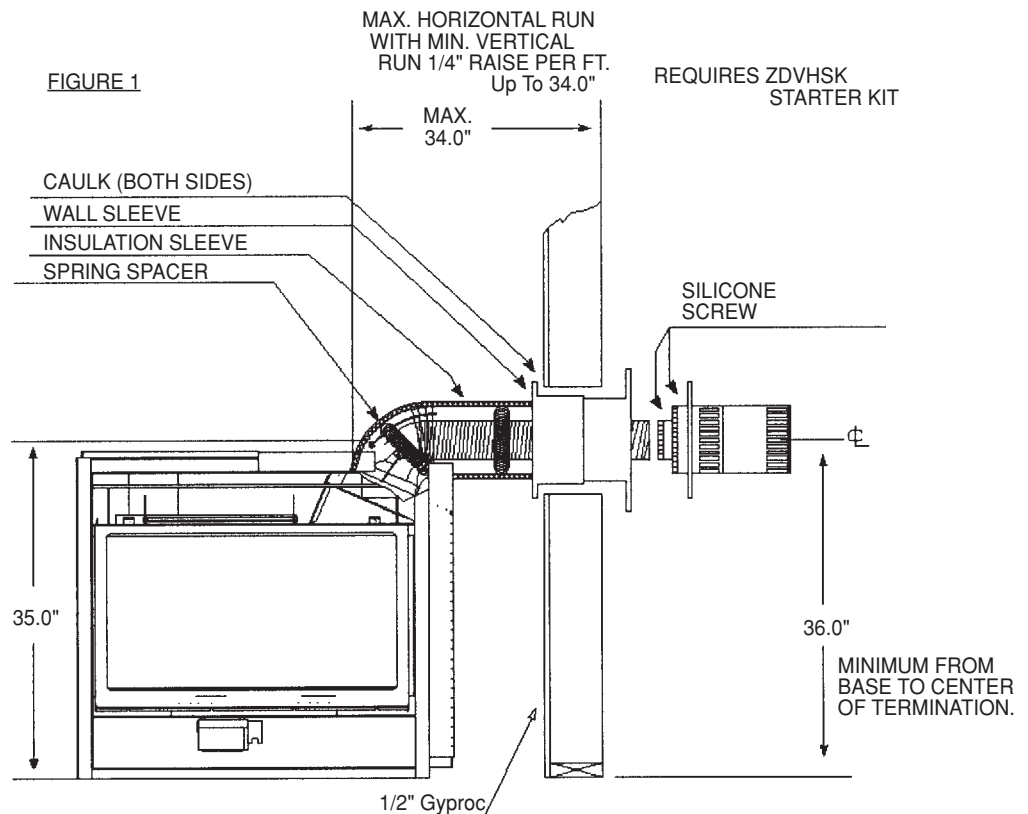
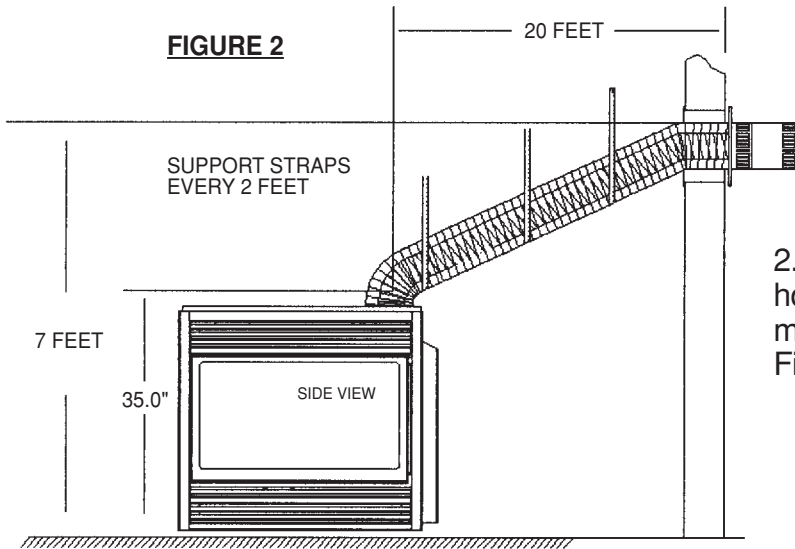


FIGURE 2



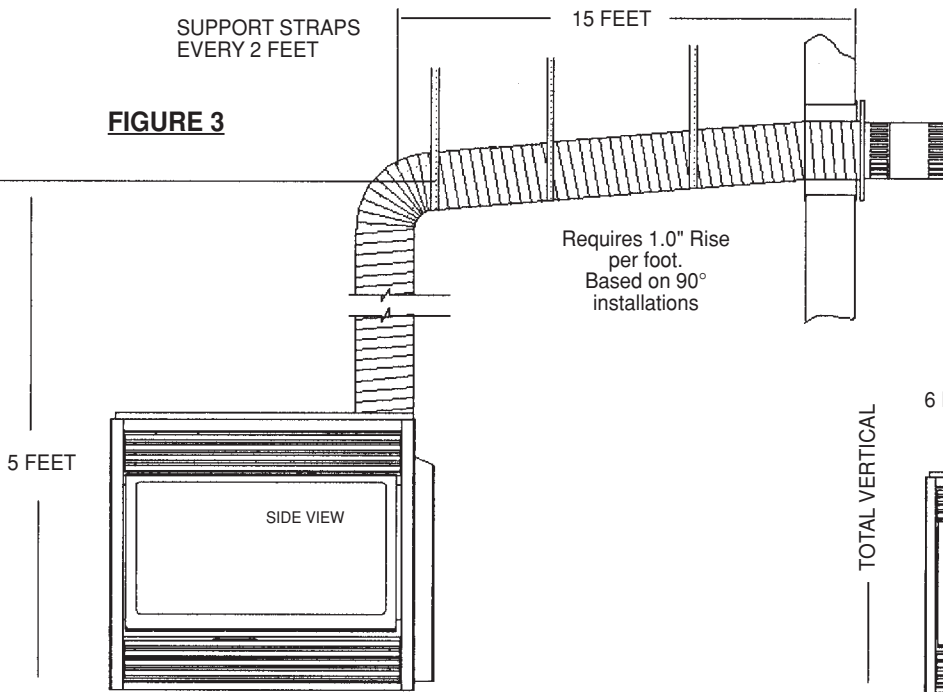
2.5" rise per ft. for horizontal runs with min. vertical from Fireplace.

Important Minimum clearances of flue pipe to combustibles. Vertical runs 1.0".

For installations other than Low Profile Enclosures, top of horizontal with no sleeve requires a 2.5" clearance, and 4.0" of clearance above 90° elbow.

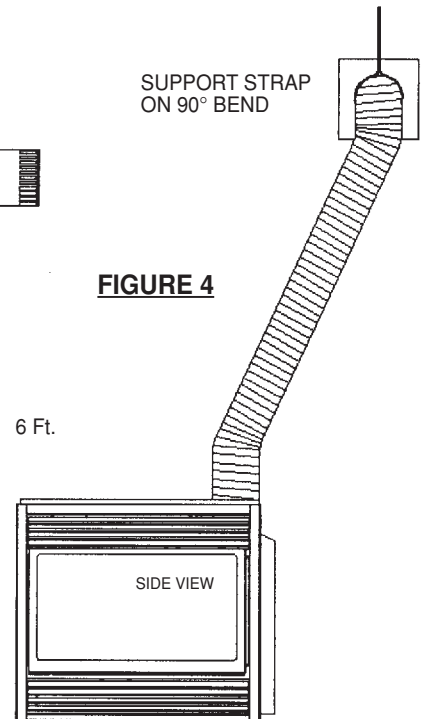
Top horizontal run with sleeve requires 2.0" clearance in low profile enclosure.

FIGURE 3



Requires 1.0" Rise per foot. Based on 90° installations

FIGURE 4

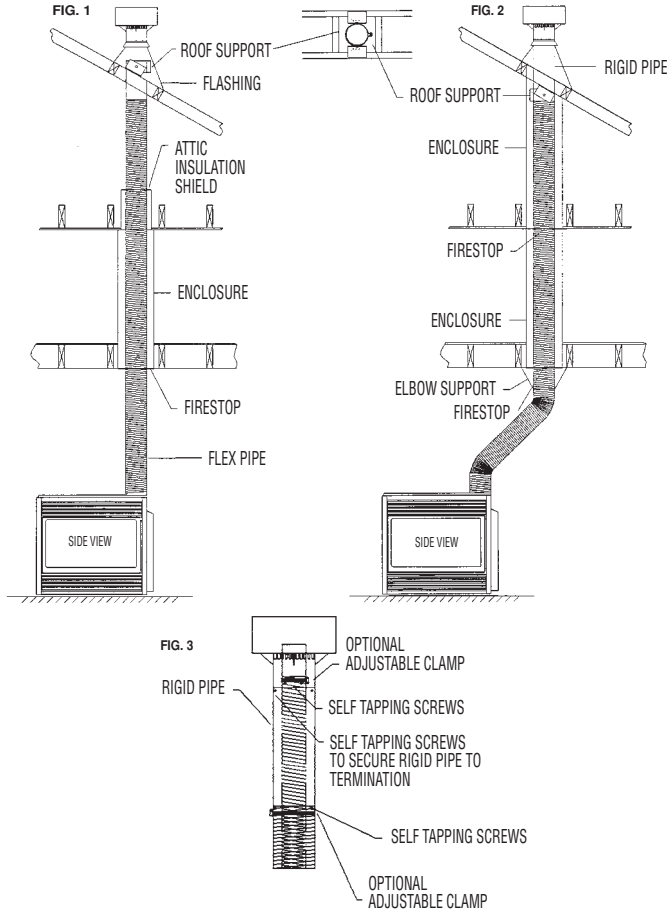


SUPPORT STRAP ON 90° BEND

TOTAL VERTICAL

Venting Straight Up Through Roof

1. An Attic Insulation Shield must be installed where the vent passes from a lower living space into an attic space where the chimney is not enclosed. It is designed to keep insulation materials away from the chimney. See Fig. 1.
2. When installing the Attic Insulation Shield where the chimney passes from a living space to an attic space, install the shield from below and nail in place using 1" spiral nails.
3. A fire stop must be installed on the bottom side of the joists when passing through a ceiling or floor. If an attic insulation shield is to be used, a fire stop is not required.



Using Flex Bends

4. Avoid cutting joists by offsetting the flex pipe. See Fig. 2.
5. When using 45° bends a bend support is required directly above the highest bend.
6. When installing a bend in a joist area a minimum of 4" clearance to combustibles to the top of bend must be maintained, sides and bottom of pipe, a 1" clearance to combustibles must be maintained. If running horizontal through an area a 2 1/2" clearance to the top of the horizontal pipe must be maintained.
7. Maximum vertical height of system should not exceed 40 feet. Use only FDVVT30 Vertical Vent Termination on this Appliance when vertical venting.
8. Use roof support and 7" rigid pipe at roof level. Flex not permitted with in roof support.
9. When penetrating the roof a rigid 7" galvanized pipe must be used. Attach the 7" flex to the 7" rigid with high temperature sealant and use four screws/washers assuring the flex and rigid pipe are secured. The 4" flex pipe must be secured the same way with 4 screws and washers. Ensure they penetrate the 4" flex and 4" section of termination. Attach 7" rigid to 7" termination with sealant and screw with 4 sheet metal screws. (See Fig. 3).
10. Vertical termination clearance is 18" (inches) above the roof, measured from highest point of exit on the roof line.
11. Support vertical pipes to maintain minimum of one inch or greater clearances to combustibles.

Roof Flashing

Ensure that you have the proper roof flashing by checking your roof pitch using a level and two rulers, or by using a roof pitch card. See figure below.

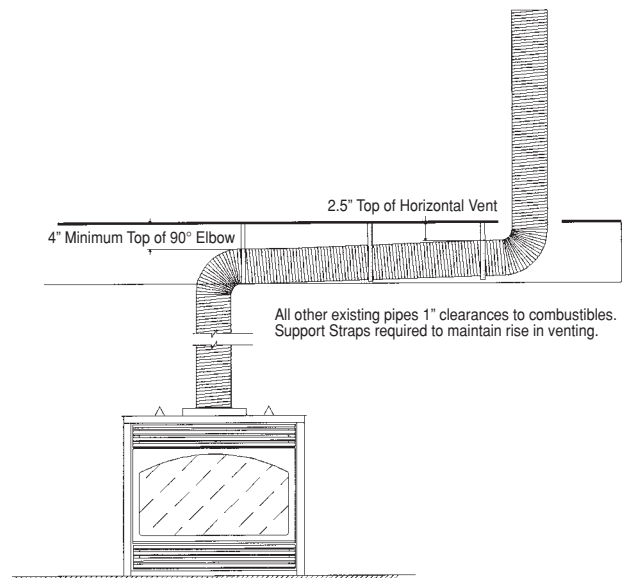
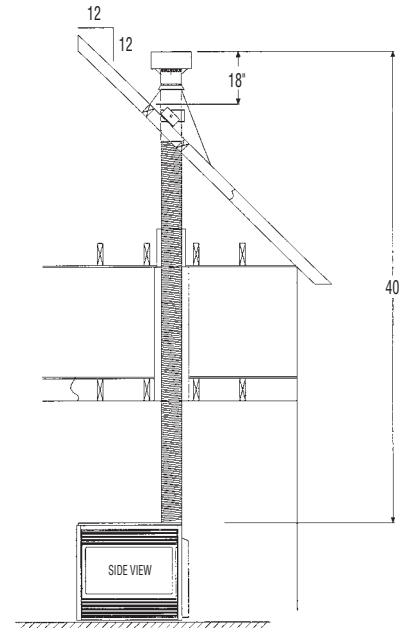
Slide a Roof Flashing suitable to your roof slope over the vent. Place the edge of the flashing plate that will be on the higher part of the roof slope under the shingles. Both the sides and the lower edge lay on top of the shingles.

NOTE: At the top edge of the flashing plate, lift the shingles and nail the plate to the roof deck, then cement the shingles to the plate with a suitable waterproof mastic.

Ensure that the chimney is plumb. Square up the flashing plate and nail in place to the roof deck. Use 12 nails with neoprene washers or cover the heads with a suitable waterproof mastic.

Wrap the storm collar around the vent above the flashing. Secure the ends together loosely with nut and bolt supplied. Slide the collar down the vent until it comes in contact with the flashing. Tighten the bolt and seal the Storm Collar to the vent with a suitable waterproof non-combustible mastic.

The flashing and storm collar should be painted to match the roof shingles. This will extend its life and improve the appearance. Clean, prime and paint with suitable painting products.



General Vent Installation Information

SIMPSON DURAVENT

When using Simpson Duravent pipe a Duravent adapter must be used (part # ZDVDFDA for fireplaces). Follow installation instructions provided by Simpson Duravent for installation of pipe and adhere to the clearance to combustibles provided in this manual. Apply a bead of Mill Pac high temp sealant to all joints of pipes, adapters and termination.

Flex Pipe Venting

Flex pipe is shipped in unexpanded length. When installing pipe expand the lengths. Pipe can be expanded to twice their lengths e.g. 4ft. to 8ft.

Do not use more than 2 couplers to extend short pipes. Single sections are preferred in an installation attaching at the fireplace and termination.

Place the spring spaces provided approximately every two feet to stabilize 4" flex in the center of 7" flex. When forming bends place spring in bend or before and after. (See Fig. 1).

Horizontal runs require support metal straps every 2 feet. In off set installation support straps should be used to stabilize pipe.

Expand 4" and 7" flex pipe to the point that the 7" protrudes approximately 2 to 3 inches past outer wall and the 4" flex protrudes approximately 2 to 3 inches past the 7" flex. See Fig. 1. Attach the 4" pipe to the termination first and secure with sealant and 4 screws/washers, then attach the 7" flex to the termination with sealant and 4 screws/washers. Termination may then be moved back to the outer wall and attached to home by screwing into the framing. Silicone around termination to waterproof. If siding shield is going to be used attach this using same attaching hole as the top of termination after termination has been caulked for water proofing.

Use Term Hi Temp Sealant

Apply a bead of mill pac high temp sealant to all joints and secure with 4 screws/washers at every connection provided at fireplace, termination and any joint if joining any sections of pipe.

FRAMING DIMENSION

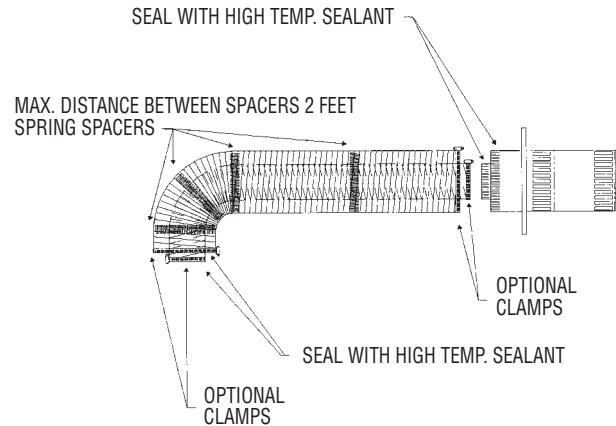
Combustible Wall

Cut a 11" hole through exterior wall and frame as shown below.

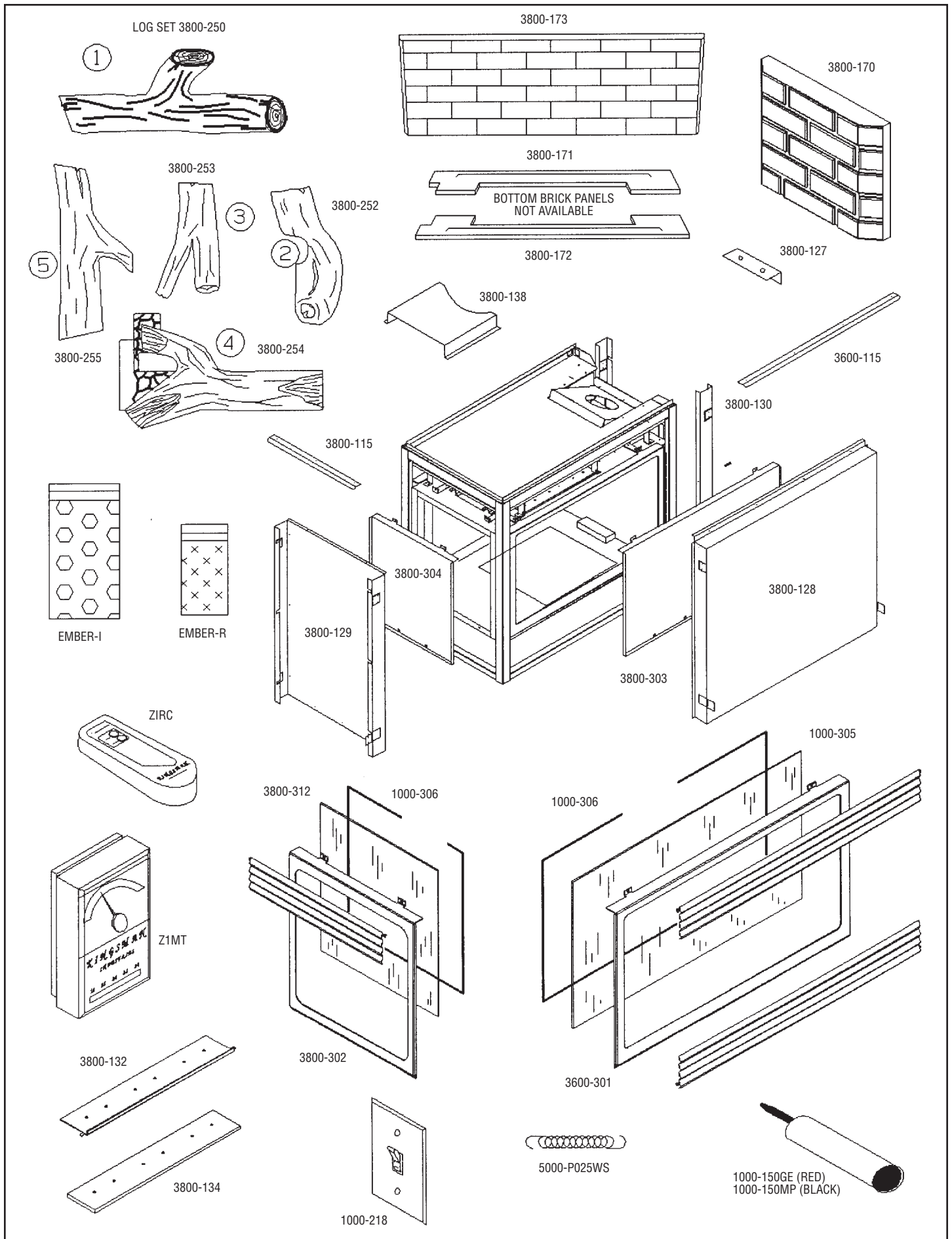
Non combustible Wall

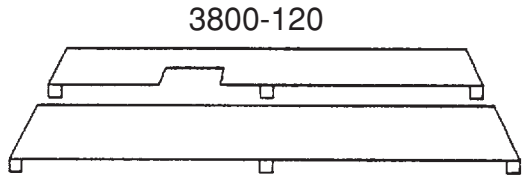
Cut or drill 8" or 204mm diameter hole.

FIGURE 1



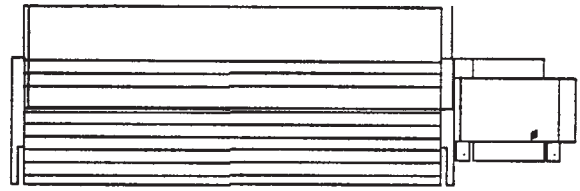
NOTE: It is critical to the proper and safe operation of this fireplace that on all connections the inner liner and the outer casing are both caulked with liberal amounts of sealant. Do not use any kind of tape or silicone other than that recommended in this manual. Mill Pac Sealant



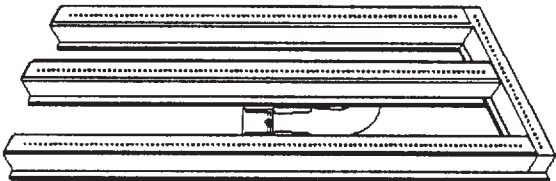


3800-120

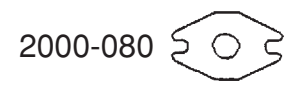
3800-119



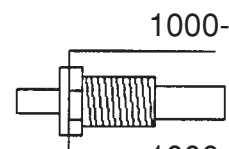
2000-081



3800-200

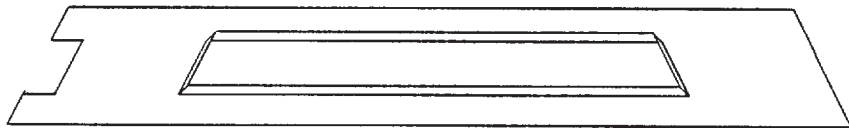


2000-080

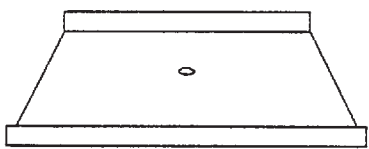


1000-215

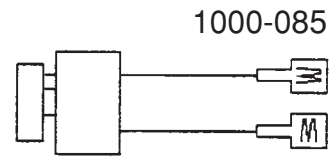
1000-214



3800-101



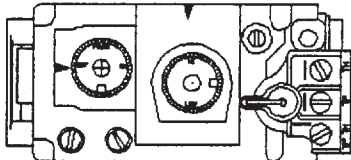
3800-125



1000-085



- MDV38 1000-255-NG-30
- MDV38 1000-255-LP-50
- MDV30 1000-255-NG-36
- MDV30 1000-255-LP-51

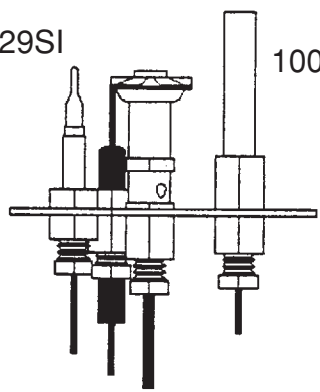


(LP) 1001-P633SI
(NG) 1001-P634SI

1001-P606SI-NG
1001-P605SI-LP

1001-P129SI

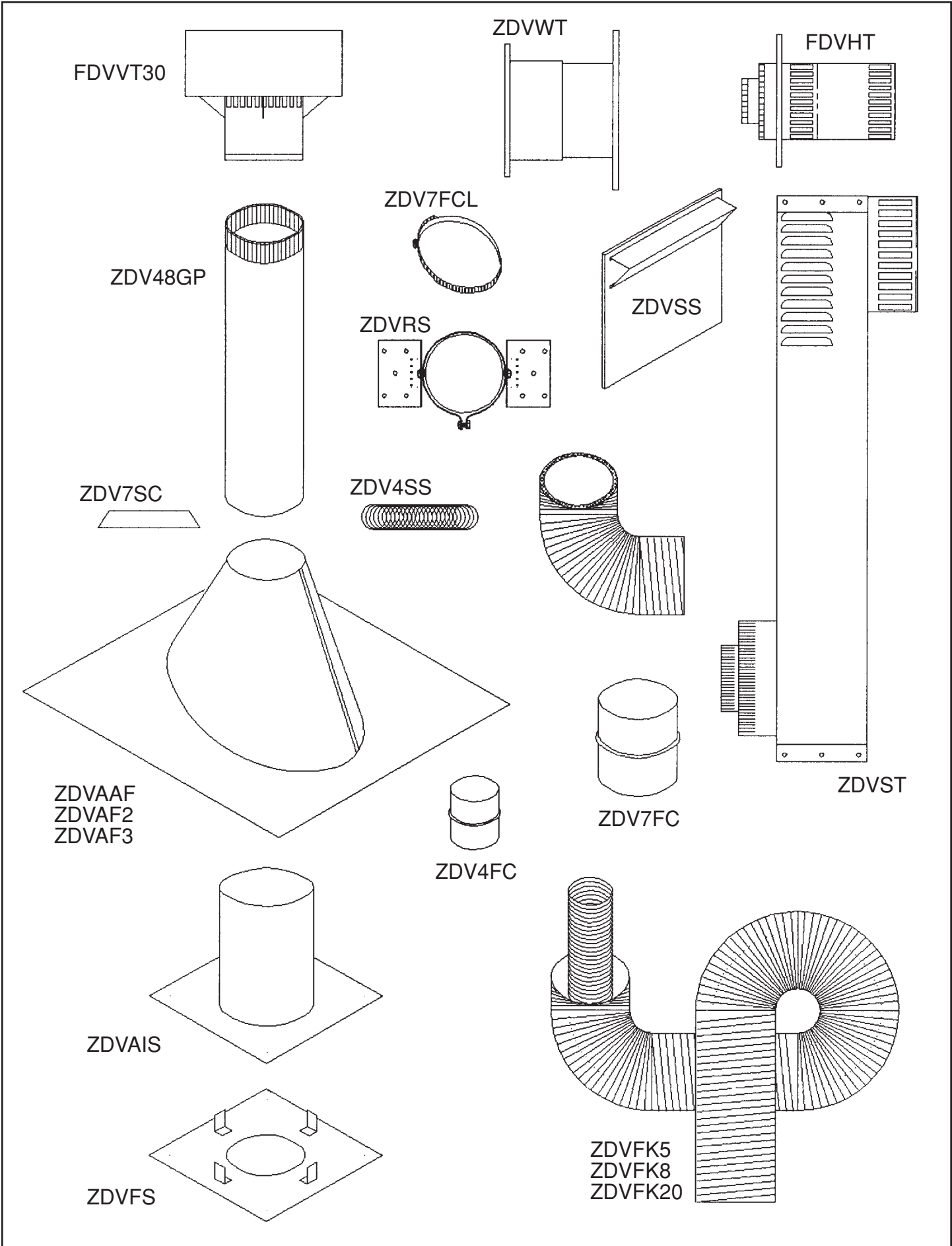
1000-P136WR



1001-P508SI

1000-220

Pilot Orifice LP
1001-P157SI
Pilot Orifice NG
1001-P159SI



Parts List

PART NO.	DESCRIPTION
----------	-------------

Fireplace Part Numbers

MDV38 SERIES MULTI-SIDED DIRECT VENT FIREPLACE:

Listed for USA/Canada as a Decorative Appliance, Includes: Triple Burner, Up to Three Viewing Areas, Milli Volt Sit Valve, Hi/Lo Adjustment, Wall Mount On/Off Switch, Ember Ash Kit, Four and Seven Flue, Sloped Back, 39,000 BTU NG, 38,000 BTU LP

MDVR38N	Multi-Sided Fireplace, c/w Right Burner (as above) Natural Gas
MDVR38LP	Multi-Sided Fireplace, c/w Right Burner (as above) Liquid Propane
MDVL38N	Multi-Sided Fireplace, c/w Left Burner (as above) Natural Gas
MDVL38LP	Multi-Sided Fireplace, c/w Left Burner (as above) Liquid Propane

FIREPLACE REQUIREMENTS

Log Sets: (Required for each unit)

LOGF38	Log Set - Five Piece Fibre Split Oak (MDV38)
--------	--

Choose Your View: (Required for each unit)

M38PK	PENINSULA KIT - THREE SIDED VIEWING - One Large Panel of Ceramic Glass, One Small Panel of Ceramic Glass
M38CK	CORNER KIT - TWO SIDED VIEWING - One Small Panel of Ceramic Glass - One Large Clearance Shield, One Large Solid Door Panel
M38SK	SEE-THROUGH KIT - TWO SIDED VIEWING - One Large Panels of Ceramic Glass - One Small Clearance Shield, One Small Solid Door Panel

GRILL KITS: (Required for each unit)

MGPKBP	Grill Kit Peninsula - Classic Polish Brass (Three Sets)
MGPKBA	Grill Kit Peninsula - Classic Antique Brass (Three Sets)
MGPKBC	Grill Kit Peninsula - Classic Chrome (Three Sets)
MGPKBL	Grill Kit Peninsula - Black (Three Sets)
MGPKAB	Grill Kit Peninsula - Antique Brass (Three Sets)
MGPKCR	Grill Kit Peninsula - Chrome (Three Sets)
MGCKBP	Grill Kit Corner - Classic Polish Brass (Two Sets)
MGCKBA	Grill Kit Corner - Classic Antique Brass (Two Sets)
MGCKBC	Grill Kit Corner - Classic Chrome (Two Sets)
MGCKBL	Grill Kit Corner - Black (Two Sets)
MGCKPB	Grill Kit Corner - Polish Brass (Two Sets)
MGCKAB	Grill Kit Corner - Antique Brass (Two Sets)
MGCKCR	Grill Kit Corner - Chrome (Two Sets)
MGSKBP	Grill Kit See-Through - Classic Polish Brass (Two Sets)
MGSKBA	Grill Kit See-Through - Classic Antique Brass (Two Sets)
MGSKBC	Grill Kit See-Through - Classic Chrome (Two Sets)
MGSKBL	Grill Kit See-Through - Black (Two Sets)
MGSKPB	Grill Kit See-Through - Polish Brass (Two Sets)
MGSKAB	Grill Kit See-Through - Antique Brass (Two Sets)
MGSKCR	Grill Kit See-Through - Chrome (Two Sets)

Bay Window Kits: for MDV38 Series Only

Bay Window Kits Consist of Black Upper Grill and Brass Lower Grill, Black Frame, Three Piece Tempered Glass Viewing Area, and Ember Kit.

Z36BWAB	Bay Window (as above) with Antique Brass Louvres
Z36BWPB	Bay Window (as above) with Polish Brass Louvres
Z36BWCR	Bay Window (as above) with Chrome Louvres

MDV30 SERIES MULTI-SIDED DIRECT VENT FIREPLACE:

Listed for USA/Canada as a Decorative Appliance, Includes: Triple Burner, Up to Three Viewing Areas, Milli Volt Sit Valve Featuring less than 30 Sec Shut Down with Hi/Lo Adjustment, Wall Mount On/Off Switch, Ember Ash One Large Panel of Tempered Glass, Four and Seven Flue, Sloped Back, 30,000 BTU NG & LP

MDVR30N	Multi-Sided Fireplace, c/w Right Burner (as above) Natural Gas
MDVR30LP	Multi-Sided Fireplace, c/w Right Burner (as above) Liquid Propane
MDVL30N	Multi-Sided Fireplace, c/w Left Burner (as above) Natural Gas
MDVL30LP	Multi-Sided Fireplace, c/w Left Burner (as above) Liquid Propane

Log Sets: (Required for each unit)

LOGF38	Log Set - Five Piece Fibre Split Oak (MDV38)
--------	--

Choose Your View: (Required for each unit)

M30PK	PENINSULA KIT - THREE SIDED VIEWING - One Large Panel of Tempered Glass, One Small Panel of Tempered Glass
M30CK	CORNER KIT - TWO SIDED VIEWING - One Small Panel of Tempered Glass - One Large Clearance Shield, One Large Solid Door Panel
M30SK	SEE-THROUGH KIT - TWO SIDED VIEWING - One Large Panel of Tempered Glass - One Small Clearance Shield, One Small Solid Door Panel

Fireplace Accessories Options:

MDV38IS	Insulation Sleeve 3ft. - for Low Enclosures
MDV38RLE	Refractory Liner - End (Small Panel)
MDV38RLS	Refractory Liner - Side (Large Panel)
Z36SAB	Surround - Antique Brass (Coverage Old Style 33 3/4" H x 39 7/8" W)
Z36SCR	Surround - Chrome (Coverage New Style 34 1/2" H x 41 1/8" W)
Z36SPB	Surround - Polish Brass (Coverage New Style 34 1/2" H x 41 1/8" W)
Z36SLAB	Surround Slim Line - Antique Brass (Coverage 34 1/4" H x 37 1/2" W)
Z36SLCR	Surround Slim Line - Chrome (Coverage 34 1/4" H x 37 1/2" W)
Z36SLPB	Surround Slim Line - Polish Brass (Coverage 34 1/4" H x 37 1/2" W)
Z36SLBL	Surround Slim Line - Gun Metal Black (Coverage 34 1/4" H x 37 1/2" W)

Z1ADBL	Arch Door Frame - Black
Z36ADDX	Arch Door Frame - Deluxe Black (352)
Z36ADTH	Arch Door Frame - Top Half Black (353T)
Z36ADDA	Arch Door Frame - Double Arch Black (354)
Z36ADDD	Arch Door Frame - Double Door Arch Black (355)
Z1ADAB	Arch Door Frame - Antique Black
Z36ADCR	Arch Door Frame - Chrome
Z1ADPB	Arch Door Frame - Polish Brass

Z36FK	Fan Kit w/variable Speed Wall Mount Control (Temperature Sensing)
Z1MT	Thermostat Millivolt Wall Mount
Z80PT	Thermostat Programmable Digital Millivolt Wall Mount (1F80-40)
Z1RC	Remote Control Millivolt (On/Off with LED) (Model I)
ZART	Remote Control Thermostat Millivolt (Model K)
DCHS	Remote Control Heatshield

Replacement Burner Assembly

3800-BRNG	Burner Assembly - Right, Natural Gas - For Model MDVR38N
3800-BRLP	Burner Assembly - Right, Liquid Propane - For Model MDVR38LP
3800 - BLNG	Burner Assembly - Left, Natural Gas - For Model MDVL38N
3800-BLLP	Burner Assembly - Left, Liquid Propane - For Model MDVL38LP
3000-BRNG	Burner Assembly - Right, Natural Gas - For Model MDVR30N
3000-BRLP	Burner Assembly - Right, Liquid Propane - For Model MDVR30LP
3000-BLNG	Burner Assembly - Left, Natural Gas - For Model MDVL30N
3000-BLLP	Burner Assembly - Left, Liquid Propane - For Model MDVL30LP

Valve System Parts

(If Serial Number is LESS than: 31089 for MDV30
38322 for MVDV38)

1000-P136WR	Thermopile GOAI-524
1001-P035SI	Electrode Sparker 915.035 SIT
1001-P129SI	Thermocouple 290.129 SIT unified
1001-P157SI	Orifice Pilot LP 977.157 SIT
1001-P159SI	Orifice Pilot NG 977.159 SIT
1001-P508SI	HT Cable 16
1001-P633SI	Valve Nova LP Hi/Lo 0820633
1001-P634SI	Valve Nova NG Hi/Lo 0820634
1001-P605SI	Pilot Burner LP 190.605 unified SIT
1001-P606SI	Pilot Burner NG 190.606 unified SIT

Valve System Parts New Top convertible SIT System
(If Serial Number is GREATER than: 31088 for MDV30
38321 for MVDV38)

1000-P136WR	Thermopile GOAI-524
1001-P069SI	Electrode Sparker 915.069 TC SIT
1001-P216SI	Thermocouple 290.216 TC SIT
1001-P165SI	Orifice Pilot NG 977.165 TC SIT
1001-P167SI	Orifice Pilot LP 977.167 TC SIT
1001-P508SI	HT Cable 16
1001-P633SI	Valve Nova LP Hi/Lo 0820633
1001-P634SI	Valve Nova NG Hi/Lo 0820634
1001-P713SI	Pilot Burner LP 199.713 TC SIT
1001-P714SI	Pilot Burner NG 199.714 TC SIT

Miscellaneous Parts

1000-150GE	#Silicone GE Red IS806 #736
1000-150MP	#Hi-Temp Mill Pac Sealant 840099
1000-214	#Piezo-Ignitor 1244-17 Mark 21
1000-215	#Pal Nut (18MMX1.5MM)BLK (1364.03)
1000-218	#Switch Ivory (1451/001)
1000-227	#Cover Ivory (86001/001)
1000-255	#Orifice Brass - (State Size)
1000-EMBER	#Glowing Moon Rock
3800-134	#Explosion Felt Gasket
2000-080	#Thermodisc 2450 (For Blower)
2000-081	#Blower Motor QLN65/2400
1000-085	#Control Variable Speed KBWC-13BV
1000-306	Thermalcord - Adhesive Back for Door Frame
1000-305	Ceramic Glass - Side
3800-312	Ceramic Glass - End
3800-313	Tempered Glass - End (MDV30 only)
3600-311	Tempered Glass - Side (MDV30 only)

Conversion Kit (SIT Valve only)

30MDV-CKLP	LP Conversion Kit for MDV30
30MDV-CKNG	NG Conversion Kit for MDV30
38MDV-CKLP	LP Conversion Kit for MDV38
38MDV-CKNG	NG Conversion Kit for MDV38

Kingsman Fireplace Venting

Catalog Number Description

ZDVHSK	Horizontal Vent Starter Kit - 3 FT Length Horizontal Vent Termination, Wall Thimble, 36" Flex Pipe, Mill Pac.
ZDVHSK5	Horizontal Vent Starter Kit - 5 FT Length Horizontal Vent Termination, Wall Thimble, 60" Flex Pipe, Mill Pac.
FDVVT30	Vertical Vent Termination (ONLY)
FDVHT	Horizontal Vent Termination
FDVHSQ	Horizontal Square Termination
ZDVST	Horizontal Snorkel Termination (34" Tall, 24" Center to Center)
FDVHSC	Safety Cage for Horizontal Termination
ZDV AIS	Attic Insulation Shield
ZDVVOS	Offset Support
ZDVFS	Firestop Spacer
ZDVRS	Roof Support
ZDVWT	Wall Thimble (Horizontal Venting)
ZDVSS	Siding Shield
ZDV48GP	Galvanized Pipe 7" Dia. x 48" (Vertical Installations)
ZDVAAF	Flashing 7" c/w Storm Collar (1/12 to 7/12)
ZDVAF2	Flashing 7" c/w Storm Collar (8/12 to 12/12)
ZDVAF3	Flashing 7" c/w Storm Collar Flat
ZDV7SC	Storm Collar 7"
ZDVFK5	Flex Kit (4" & 7" Dia.) x 2.5' (Unexpanded) 5' Expanded
ZDVFK8	Flex Kit (4" & 7" Dia.) x 4' (Unexpanded) 8' Expanded
ZDVFK20	Flex Kit (4" & 7" Dia.) x 10' (Unexpanded) 20' Expanded *Kits are complete with spring stand-offs, silicone.
ZDV4FC	Flex Connector 4" Diameter
ZDV7FC	Flex Connector 7" Diameter
ZDV4SS	Spring 4" Standoff Spacer
ZDV DFA	Dura-Vent Fireplace Adapter (for ZDV33/36/42, ZDV6000, MDV30/38)

Trouble Shooting The Gas Control System

WARNING: BEFORE DOING ANY GAS CONTROL SERVICE WORK, REMOVE THE GLASS FRONT.

NOTE: Before troubleshooting the gas control system, be sure external gas shut off is in the “On” position.

Problem	Possible Causes	Corrective Action
Spark igniter will not light.	Defective or misaligned electrode at pilot.	Check for spark at electrode and pilot: if no spark and electrode wire is properly connected, replace igniter.
	Defective igniter (push-button)	Using a match, light pilot. If pilot lights, turn off pilot and push the red button again. If pilot will not light - check gap at electrode and pilot should be 1/8” to 1/4” to have a strong spark.
Pilot will not stay lit after carefully following lighting instructions.	Defective thermocouple (flame switch where applicable)	Check pilot flame. Must impinge on generator and thermocouple. Clean and/or adjust pilot for maximum flame impingement on generator and thermocouple. Replace thermocouple if pilot will not hold. (Hand tight 1/8 turn on replacement)
	Defective valve magnet.	Replace valve, if pilot won't hold after the thermocouple is replaced.
Pilot burning, no gas to burner, Valve knob “ON”, Wall Switch “ON”	Wall switch or wires defective.	Check wall switch and wires for proper connections. Jumper wire across terminals at wall switch. If burner comes on, replace defective wall switch. If okay, jumper wires, across wall switch wires at valve. If burner comes on, wires are faulty or connections are bad.
	Generator may not be generating sufficient voltage.	Check generator with millivolt meter. Take reading at generator terminals of gas valve. Should read 325 millivolts minimum while holding valve knob depressed in pilot position and wall switch “off” Replace faulty generator if reading is below specified minimum.
	Plugged burner orifice.	Check burner orifice for stoppage and remove.
	Defective automatic valve operator.	Remove wall switch wires from gas valve. Install jumper wires from top bottom terminals of gas valve. Turn valve on “ON”. If main burner does not light, replace valve.
Frequent Pilot outage problem.	Pilot flame may be too low or blowing (high) causing the pilot safety to drop out.	Clean and/or adjust pilot flame for maximum flame impingement on generator and thermocouple.
Flame lifts off burner and goes out in less than 30 seconds	Inner 4” liner has come off flue or termination, flame is starving for oxygen	Attach 4” liner to flue or termination using screws, silicone and clamps as stated in manual
Flame lifts off burner on one side while the rest of the flame remains lit.	Improper installation of firebrick. Firebrick is likely leaning.	Be sure to position firebrick against firebox walls and be sure to use brick clips attached to the inner side of firebox.



LIMITED LIFETIME WARRANTY

This Limited Lifetime Warranty applies only while the unit remains at the site of the original installation and only if the unit is installed inside the continental United States, Alaska, Hawaii, and Canada. The warranty applies only if the unit is installed and operated in accordance with the printed instructions and in compliance with applicable installation and building codes and good trade practices.

BASIC ONE YEAR WARRANTY

During the first year after installation, we will provide a replacement for any component part of your unit found to be defective in materials or workmanship, including labour costs. Repair work requires prior approval by Kingsman, labour costs are based on a predetermined rate schedule and any repair work must be done through an authorized Kingsman dealer.

LIMITED LIFETIME WARRANTY

The heat exchanger, combustion chamber and burner of every Kingsman product excluding the Outdoor Firepit are warranted against materials or workmanship during the period the product is owned by the original owner. The part to be replaced must be returned to our distributor in exchange for the replacement part. Any labor, material, freight and/or handling charges associated with any repair or replacement pursuant to this Limited Lifetime Warranty will not be covered by this warranty.

GENERAL TERMS

In lieu of providing a replacement part, we may, at our option, provide the distributor's component purchase price from us or a credit equal to the distributors component purchase price from us toward the purchase of any new unit which we distribute. If a credit is given in lieu of a replacement part, the rating plate from the unit being replaced must be submitted on a warranty claim, and the unit being replaced must be made available to our distributor for disposition.

In establishing the date of installation for any purpose, including determination of the starting date for the term of this Limited Lifetime Warranty, reasonable proof of the original installation date must be presented*, otherwise the effective date will be based upon the date of manufacture plus thirty (30) days.

We will not be responsible for and you, the user, will pay for: (a) damages caused by accident, abuse, negligence, misuse, riot, fire, flood, or Acts of God (b) damages caused by operating the unit where there is a corrosive atmosphere containing chlorine, fluorine, or any other damaging chemicals (other than in a normal residential environment) (c) damages caused by any unauthorized alteration or repair of the unit affecting its stability or performance (d) damages caused by improper matching or application of the unit or the unit's components (e) damages caused by failing to provide proper maintenance and service to the unit (f) any expenses incurred for erecting, disconnecting or dismantling the unit (g) parts or supplies used in connection with service or maintenance (h) damage repairs, inoperation or inefficiency resulting from faulty installation or application (i) electricity or fuel costs or any increase in electricity or fuel cost whatsoever including additional or unusual use of supplemental electric heat.

We shall not be liable for any incidental, consequential, or special damages or expenses in connection with any use or failure of this unit. We have not made and do not make any representation or warranty of fitness for a particular use or purpose, and there is no implied condition of fitness for a particular use or purpose. We make no express warranties except as stated in this Limited Lifetime Warranty. No one is authorized to change this Limited Lifetime Warranty or to create for us any other obligation or liability in connections with this unit. Any implied warranties shall last for one year after the original installation. Some states and provinces do not allow the exclusion or limitation of incidental or consequential damages or do not allow limitations on how long an implied warranty or condition lasts, so the above limitations or exclusions may not apply to you. The provisions of this limited warranty are in additions to and not a modification of or subtraction from any statutory warranties and other rights and remedies provided by law.

Save this certificate. It gives you specific legal rights, and you may also have other rights which may vary from state to state and province to province.

In the event your unit needs servicing, contact your dealer or contractor who installed or serviced your unit. When requesting service, please have the model and serial number from each unit readily available. If your dealer needs assistance, the distributor is available for support and we, in turn support the distributor's efforts.

Fill in the installation date and model and serial numbers of the unit in the space provided below and retain this limited warranty for your files.

Model No. _____ Serial No. _____ Date installed _____

Dealer or Contractor Name: _____

*To receive advantage of your warranty, you must retain the original records that can establish the installation date of your unit.